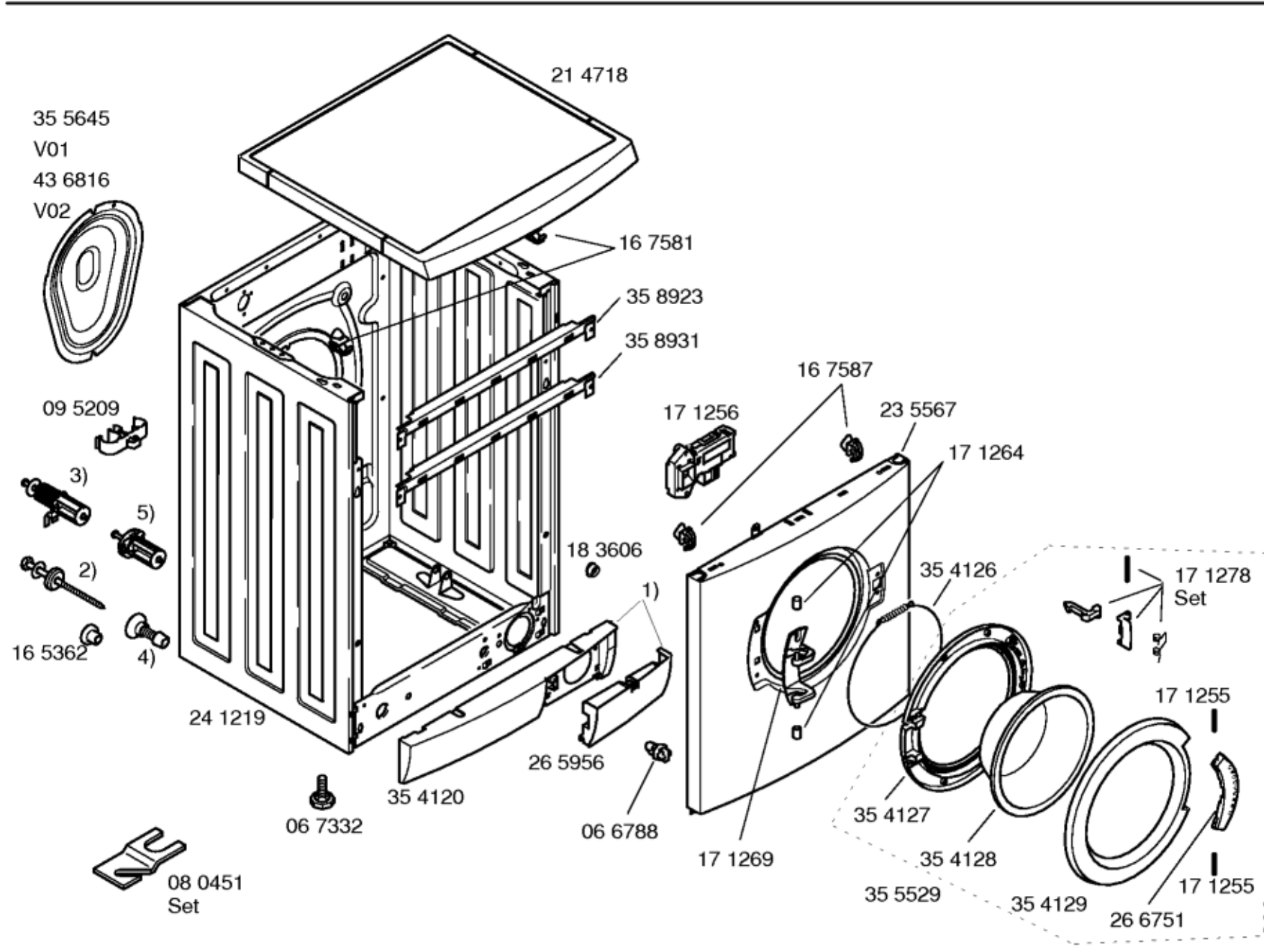


Mat. - Nr. - Konstante
3740

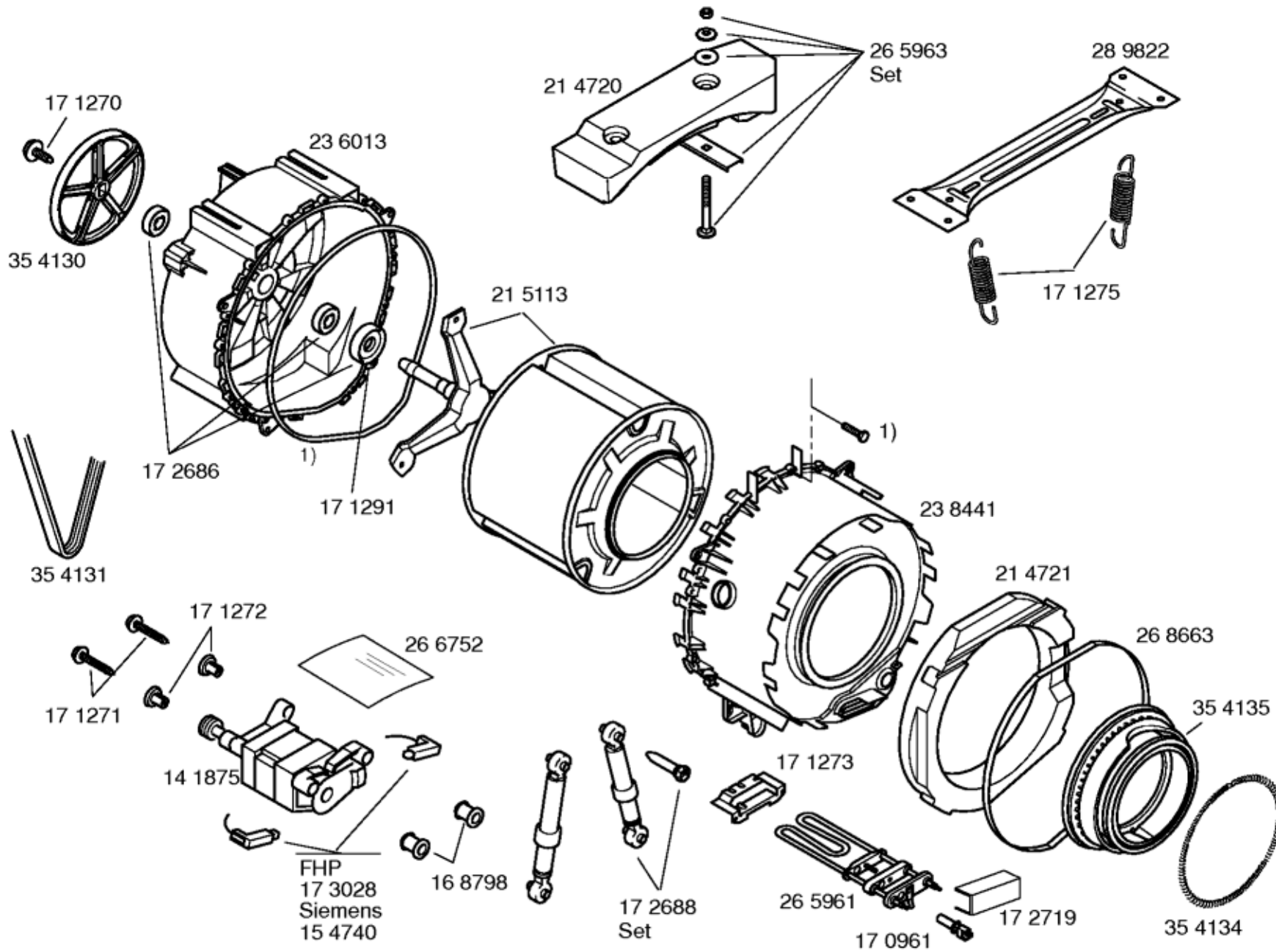
Gebrauchsanweisung
58 2859
(DE)

Programmtabelle
52 2860
(DE)



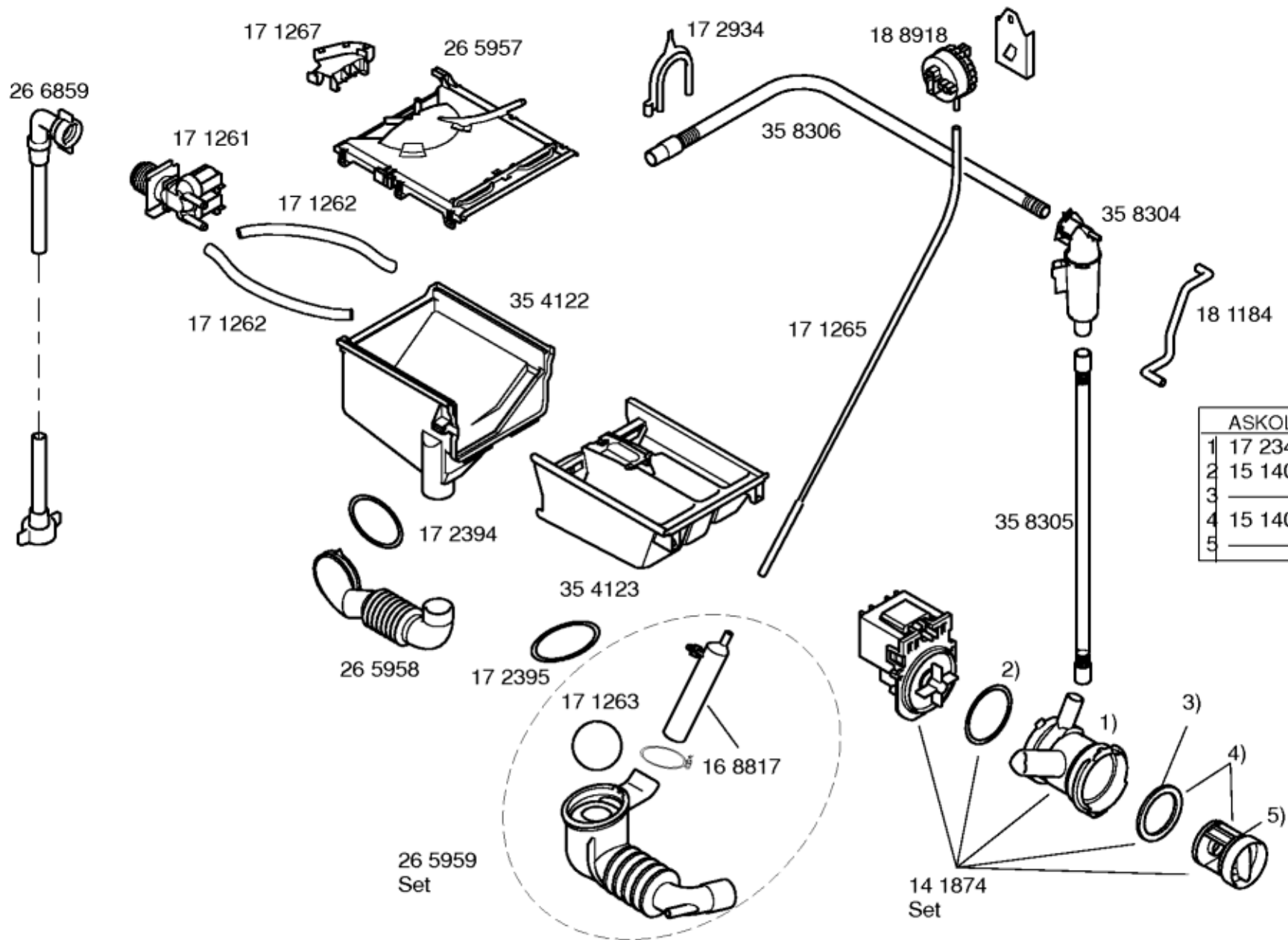
Mat. - Nr. - Konstante
3740

- 1) 35 5528
- 2) 16 8813
- V01
- 3) 18 6869
- V02
- 4) 16 8814
- V01
- 5) 18 6870
- V02



Mat. - Nr. - Konstante
3740

1) 26 5964
Set



Mat. - Nr. - Konstante
3740

| | ASKOLL | COPRECI |
|----|---------|---------|
| 1) | 17 2340 | 17 2337 |
| 2) | 15 1408 | 15 4358 |
| 3) | _____ | 172338 |
| 4) | 15 1409 | _____ |
| 5) | _____ | 17 2339 |

| Position ID | Spare part no. | Replacement | Description |
|--------------------|-----------------------|--------------------|--------------------------------|
| 0001 | 00582859 | | Instruction manual |
| 0100 | 00171253 | 00481580 | Power cord |
| 0101 | 00171254 | 00623842 | Capacitor-interference suppre. |
| 0102 | 00172696 | 00423704 | Cable harness |
| 0103 | 00172694 | | Cable harness |
| 0104 | 00172695 | 00423701 | Cable harness |
| 0105 | 00483971 | 00432218 | Control module |
| 0106 | 00172697 | | Coupling |
| 0107 | 00172699 | | Knob-programme |
| 0108 | 00266748 | 00267678 | Tray handle-dispenser |
| 0200 | 00436816 | | Case-rear part |
| 0201 | 00095209 | | Holder |
| 0202 | 00186869 | 00429205 | Transit bolt |
| 0203 | 00165362 | | Cover |
| 0204 | 00186870 | | Transit bolt |
| 0205 | 00241219 | 00711567 | Housing |
| 0206 | 00080451 | 00493529 | Floor Securing Component |
| 0207 | 00067332 | 00621463 | Foot |
| 0208 | 00354120 | 00796389 | Panel-base |
| 0209 | 00265956 | 00796389 | Panel-base |
| 0210 | 00066788 | | Holder |
| 0211 | 00171269 | | Hinge-window |
| 0212 | 00354127 | 00715042 | Ring |
| 0213 | 00354128 | 11020392 | Window |
| 0214 | 00354129 | 00366232 | Frame-window |
| 0215 | 00266751 | | Handle |
| 0216 | 00171255 | | Axis |

| | | | |
|------|----------|----------|-----------------|
| 0217 | 00171278 | 00634207 | Latch |
| 0218 | 00354126 | 00439671 | fastening ring |
| 0219 | 00171264 | | Bushing |
| 0220 | 00235567 | | Front panel |
| 0221 | 00167587 | 00067083 | Holder |
| 0222 | 00171256 | 00182154 | Electric lock |
| 0223 | 00167581 | | Holder |
| 0224 | 00214718 | 00218343 | Worktop |
| 0300 | 00171270 | | Screw |
| 0301 | 00354130 | 11002942 | Pulley |
| 0302 | 00354131 | 00678914 | Belt-drive |
| 0303 | 00172686 | | Bearing set |
| 0304 | 00171291 | 00613082 | Shaft seal |
| 0305 | 00171271 | | Screw |
| 0306 | 00171272 | | Fixture |
| 0307 | 00141875 | 00144797 | Motor |
| 0308 | 00266752 | | Cover |
| 0309 | 00173028 | | Carbon-brush |
| 0310 | 00154740 | | Carbon-brush |
| 0311 | 00168798 | | Holder |
| 0312 | 00172688 | 00448032 | Shock absorber |
| 0313 | 00171273 | | Holder |
| 0314 | 00265961 | | Heating element |
| 0315 | 00170961 | | Sensor-NTC |
| 0316 | 00172719 | | Cover |
| 0317 | 00354134 | | fastening ring |
| 0318 | 00354135 | | Boot gasket |
| 0322 | 00265964 | | Sealing |
| 0323 | 00236611 | 00215117 | Drum |

| | | | |
|------|----------|----------|---------------------------|
| 0324 | 00214720 | | Weight |
| 0325 | 00171275 | 00606818 | Spring-tank |
| 0326 | 00289822 | | Support |
| 0327 | 00236610 | 00713296 | Tub |
| 0328 | 00265963 | | Fixing kit |
| 0400 | 00266859 | 12013467 | Hose-inlet |
| 0401 | 00171261 | 00428210 | Valve-magnet |
| 0402 | 00171262 | | Hose-valve/soap box |
| 0403 | 00354122 | | Dispenser tray-lower part |
| 0404 | 00172394 | 00421488 | fastening ring |
| 0405 | 00265958 | | Hose-fill |
| 0406 | 00354123 | | Dispenser tray |
| 0407 | 00172395 | 00603523 | fastening ring |
| 0408 | 00171263 | | Ball-sump |
| 0409 | 00265959 | 00480443 | Eco-hose-sump |
| 0410 | 00168817 | 00424981 | Pressure chamber |
| 0411 | 00141874 | 00145787 | Pump-drain |
| 0412 | 00151409 | | Filter-fluff |
| 0413 | 00172339 | | Filter-fluff |
| 0414 | 00172338 | | Sealing |
| 0415 | 00154358 | | Sealing |
| 0416 | 00172337 | | Pump-housing |
| 0417 | 00151408 | | Sealing |
| 0418 | 00172340 | 00145787 | Pump-drain |
| 0419 | 00354124 | | Outlet hose |
| 0420 | 00181184 | | Hose-vent |
| 0421 | 00171265 | 00491919 | Hose-pressure chamber |
| 0422 | 00188918 | 00427040 | Regulator-water level |
| 0423 | 00150871 | | Terminal |

| | | | |
|------|----------|----------|---------------------------|
| 0424 | 00172934 | 00655300 | Holder |
| 0425 | 00265957 | | Dispenser tray-upper part |
| 0425 | 00183210 | 00423702 | Cable harness |
| 0426 | 00171267 | | Holder |
| 0426 | 00187413 | | Regulator-water level |
| 0427 | 00236611 | 00215117 | Drum |
| 0428 | 00214721 | 00773470 | Weight |
| 0429 | 00215113 | 00773699 | Drum |
| 0430 | 00238441 | 00715100 | Tub |
| 0431 | 00355529 | | Window |
| 0432 | 00358306 | | Outlet hose |
| 0433 | 00358305 | | Hose |
| 0434 | 00358304 | | Container return |