

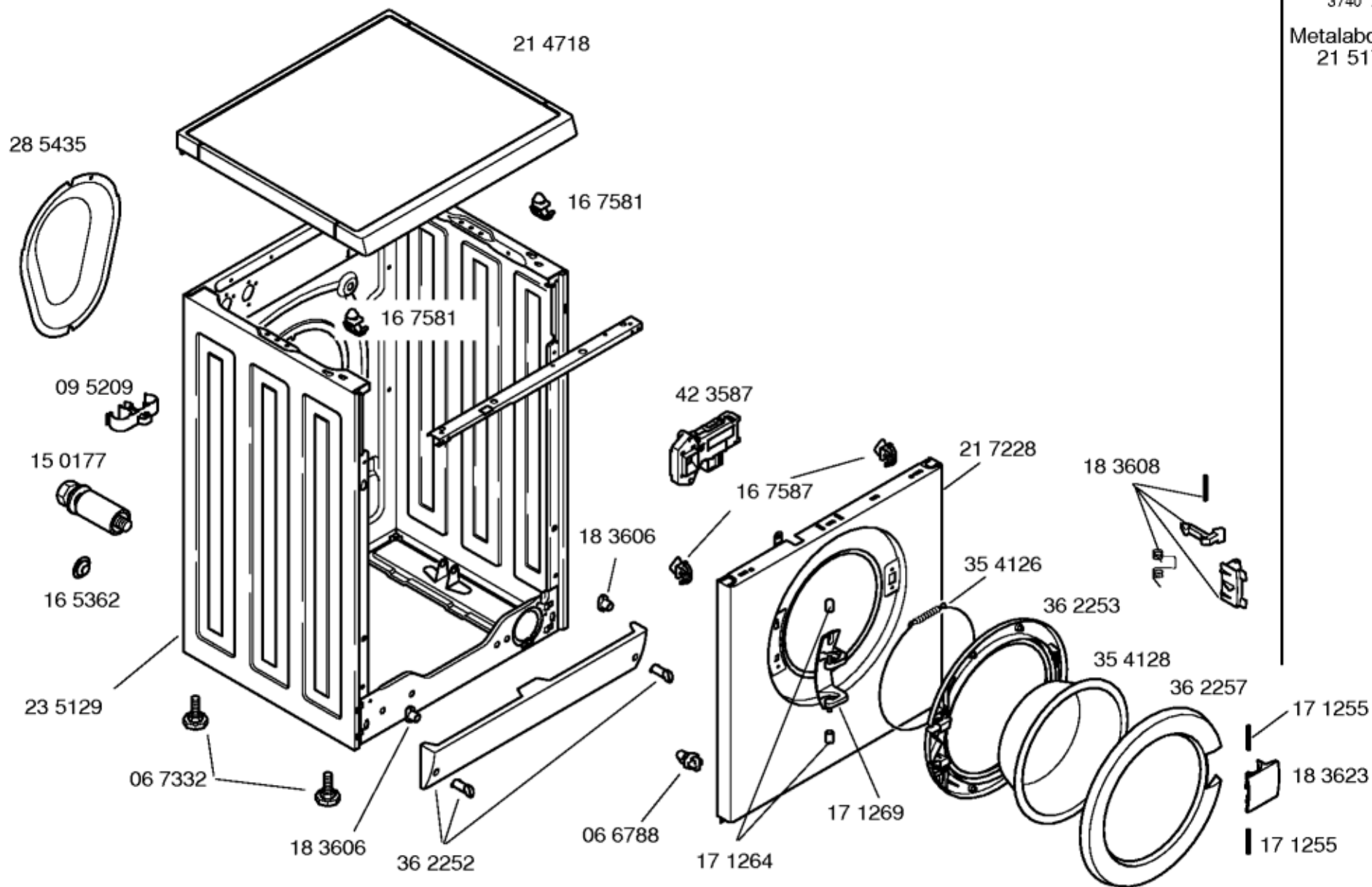
Ident – Nummern – Konstante
3740

Gebrauchsanweisung
58 0223
en

1) 36 5499
en

Ident – Nummern – Konstante
3740

Metalabdeckung-VDE
21 5174



Position ID	Spare part no.	Replacement	Description
0100	00580223		Instruction manual
0101	00183609		Program table
0101	00183610		Program table
0102	00267087	12004729	Power cord
0104	00171254	00623842	Capacitor-interference suppre.
0106	00183594		Cable harness
0107	00183595		Cable harness
0108	00183597		Cable harness
0109	00183599		Cable harness
0110	00183602		Cable harness
0111	00183603		Cable harness
0112	00183604		Cable harness
0113	00183605		Cable harness
0114	00481539	00493686	PC board
0116	00173541	00188590	Sealing
0118	00172698		Coupling
0120	00172700		Knob-RPM
0122	00172697		Coupling
0124	00172699		Knob-programme
0126	00267678		Tray handle-dispenser
0130	00365499		Panel-facia
0131	00184213		Cable harness
0200	00150177		Transit bolt
0204	00165362		Cover
0206	00095209		Holder
0208	00285435		Case-rear part
0210	00235129		Housing

0212	00067332	00621463	Foot
0214	00214718	00218343	Worktop
0216	00167581		Holder
0220	00362252		Panel-base
0224	00423587	00603514	Electric lock
0226	00183606	00606923	Holder
0227	00167587	00067083	Holder
0228	00066788		Holder
0230	00217228		Front panel
0232	00171264		Bushing
0234	00171269		Hinge-window
0236	00354126	00439671	fastening ring
0238	00362253		Frame-window
0240	00354128	11020392	Window
0242	00362257	00665992	Frame-decor
0244	00183623	00183607	Handle
0246	00171255		Axis
0250	00183608		Latch
0260	00215174	00472560	Built-under kit
0300	00067716		Screw
0302	00093390		Pulley
0304	00068338		Retaining washer
0306	00283725		Bearing cross
0308	00067035		Screw
0310	00214337		Tub
0312	00289823		Holder
0314	00283710		Drum cross
0316	00059132		Screw-set
0318	00217227		Drum

0320	00069632		Sealing
0322	00217226		Weight
0324	00354134		fastening ring
0326	00354135		Boot gasket
0328	00264986		Heating element
0329	00170961		Sensor-NTC
0330	00289822		Support
0332	00069605		Spring
0334	00067297		Spring guide
0336	00068344		Fixing kit
0338	00067060		Fixture
0340	00141715		Weight
0342	00265433		Shock absorber
0344	00067042		Screw
0346	00032584		Holder
0348	00059437		Holder
0350	00142161	00144003	Motor
0351	00154740		Carbon-brush
0360	00264987		Belt-drive
0400	00353925		Hose-inlet
0400	00353924	00700836	Hose-inlet
0402	00034887	00027780	Filter-water inlet
0404	00066627		Sealing
0405	00050871		Branching piece
0406	00171261	00428210	Valve-magnet
0407	00173254		Connection piece
0408	00171262		Hose-valve/soap box
0409	00171267		Holder
0410	00481670		Dispenser tray-upper part

0411	00180713	00428212	Valve-magnet
0412	00354122		Dispenser tray-lower part
0413	00050871		Branching piece
0414	00354123		Dispenser tray
0416	00266973		Hose-fill
0417	00067719		Holder
0418	00266060		Eco-hose-sump
0420	00171263		Ball-sump
0422	00066806	00603523	fastening ring
0424	00265575	00188602	Hose-pressure chamber
0425	00095205		Holder
0426	00066613		Hose-pressure chamber
0427	00032582		Holder
0428	00183611		Regulator-water level
0430	00362255		Duct
0431	00362256		Duct
0432	00183810		Holder
0433	00362446		Outlet hose
0434	00358304		Container return
0435	00183811		Tube
0436	00358306		Outlet hose
0438	00092126		Holder
0440	00141874	00145787	Pump-drain
0442	00154358		Sealing
0442	00151408		Sealing
0444	00172337		Pump-housing
0444	00172340	00145787	Pump-drain
0446	00172339		Filter-fluff
0446	00151409		Filter-fluff