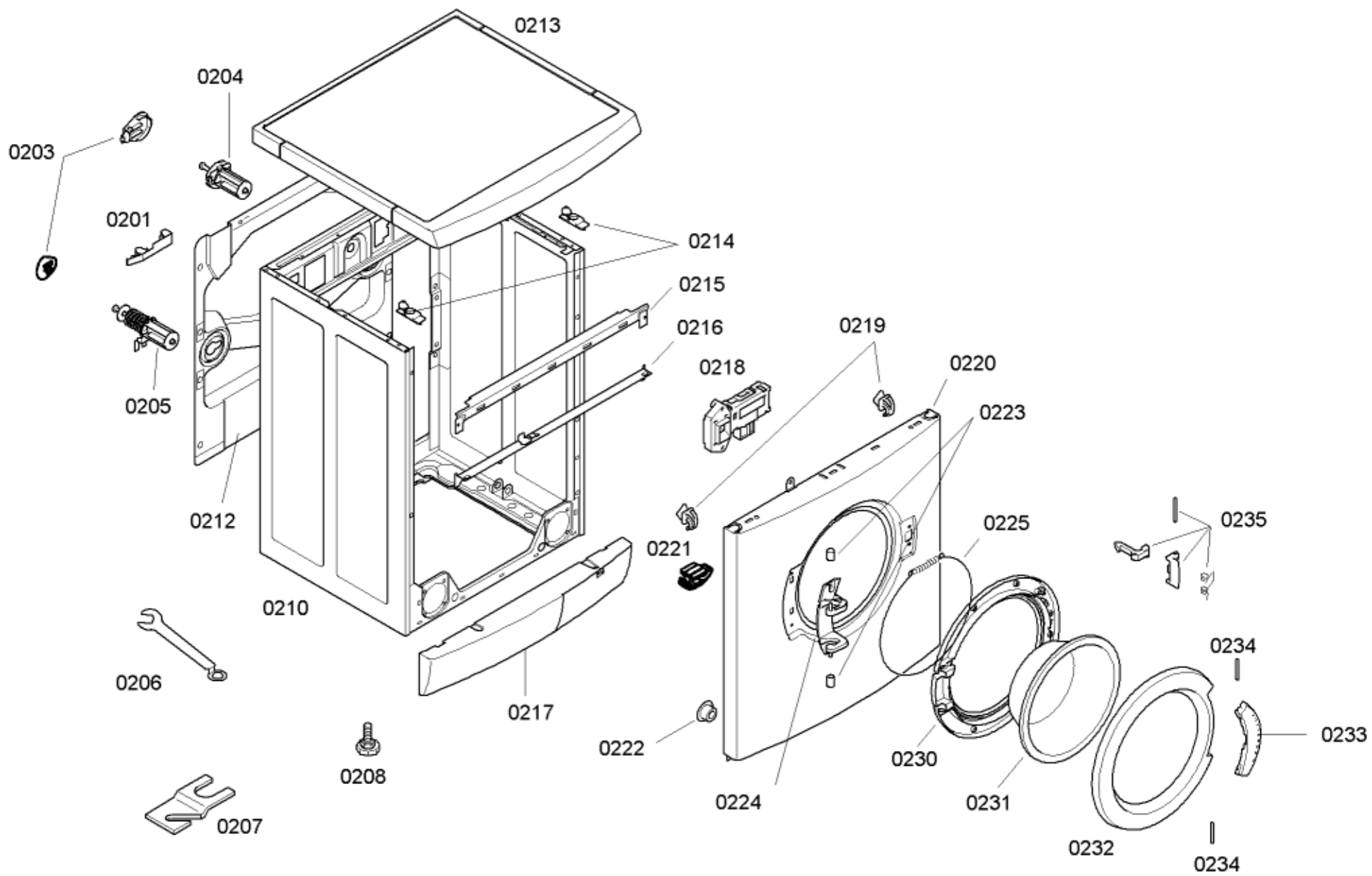
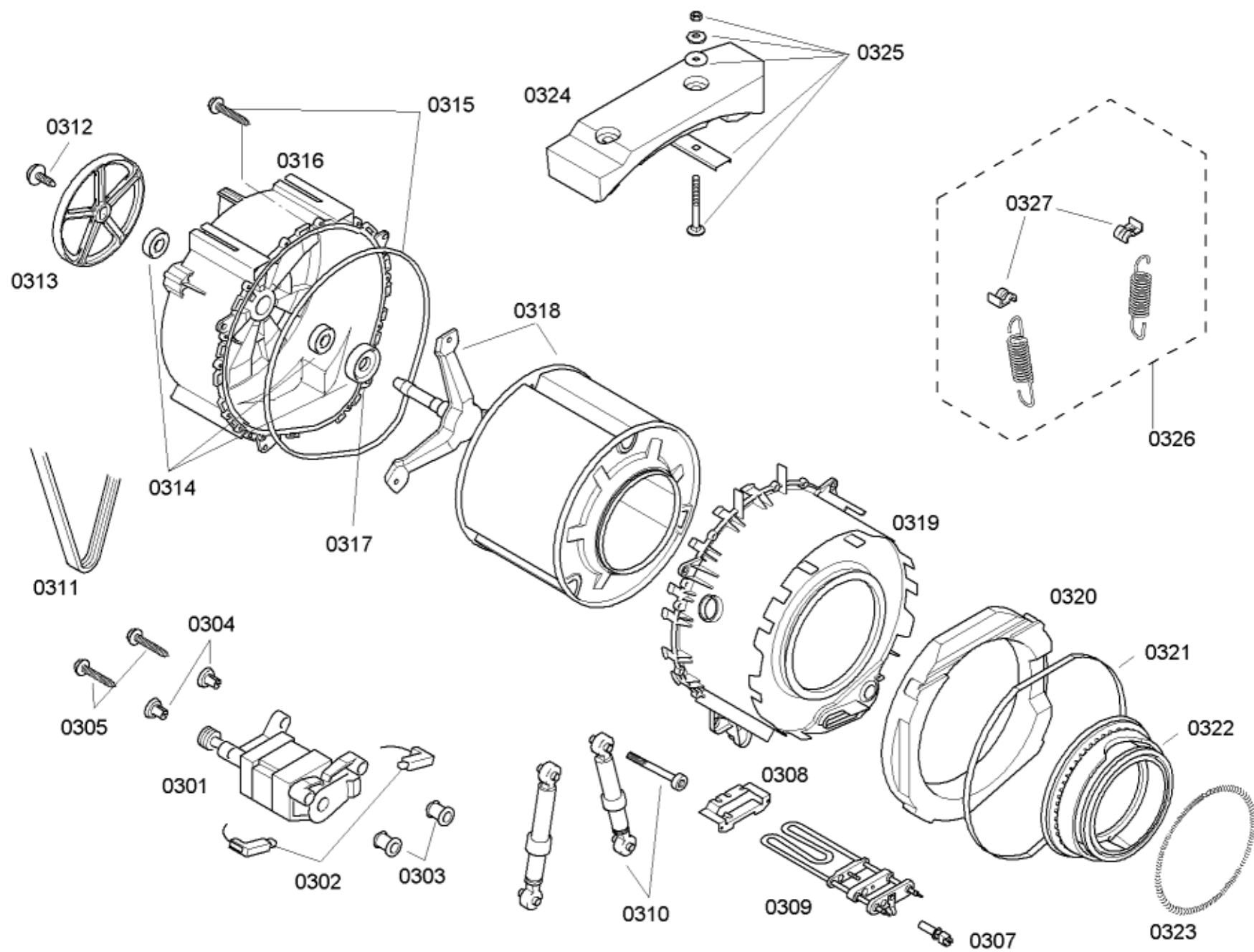


Position ID	Spare part no.	Replacement	Description
0111	00172697		Coupling
0112	00172698		Coupling
0113	00172699		Knob-programme
0114	00172700		Knob-RPM
0125	00481304		Control module
0132	00182429		Nut
0136	00181928	00623842	Capacitor-interference suppre.
8401	00529445		Operating/installations instructions



Position ID	Spare part no.	Replacement	Description
0201	00029853		Holder
0202	00170933		Cover
0203	00170933		Cover
0204	00173226		Transit bolt
0205	00173225		Transit bolt
0206	00416875		Auxiliary tool
0207	00493529		Floor Securing Component
0210	00241435	00247508	Housing
0212	00474870		Case-rear part
0213	00215252		Worktop
0214	00183786		Holder
0215	00358932		Rail
0216	00435791		Rail
0219	00167587	00067083	Holder
0220	00474541	00235567	Front panel
0221	00187094		Distance holder
0222	00029854	00606923	Holder
0223	00171264		Bushing
0224	00171269		Hinge-window
0225	00439671		fastening ring
0230	00432074		Frame-window
0231	00354128	11020392	Window
0232	00369605		Frame-window
0233	00490903		Handle
0234	00171255		Axis
0235	00173251	00634207	Latch

8401	00529445		Operating/installations instructions
0217	00669408		Panel-base

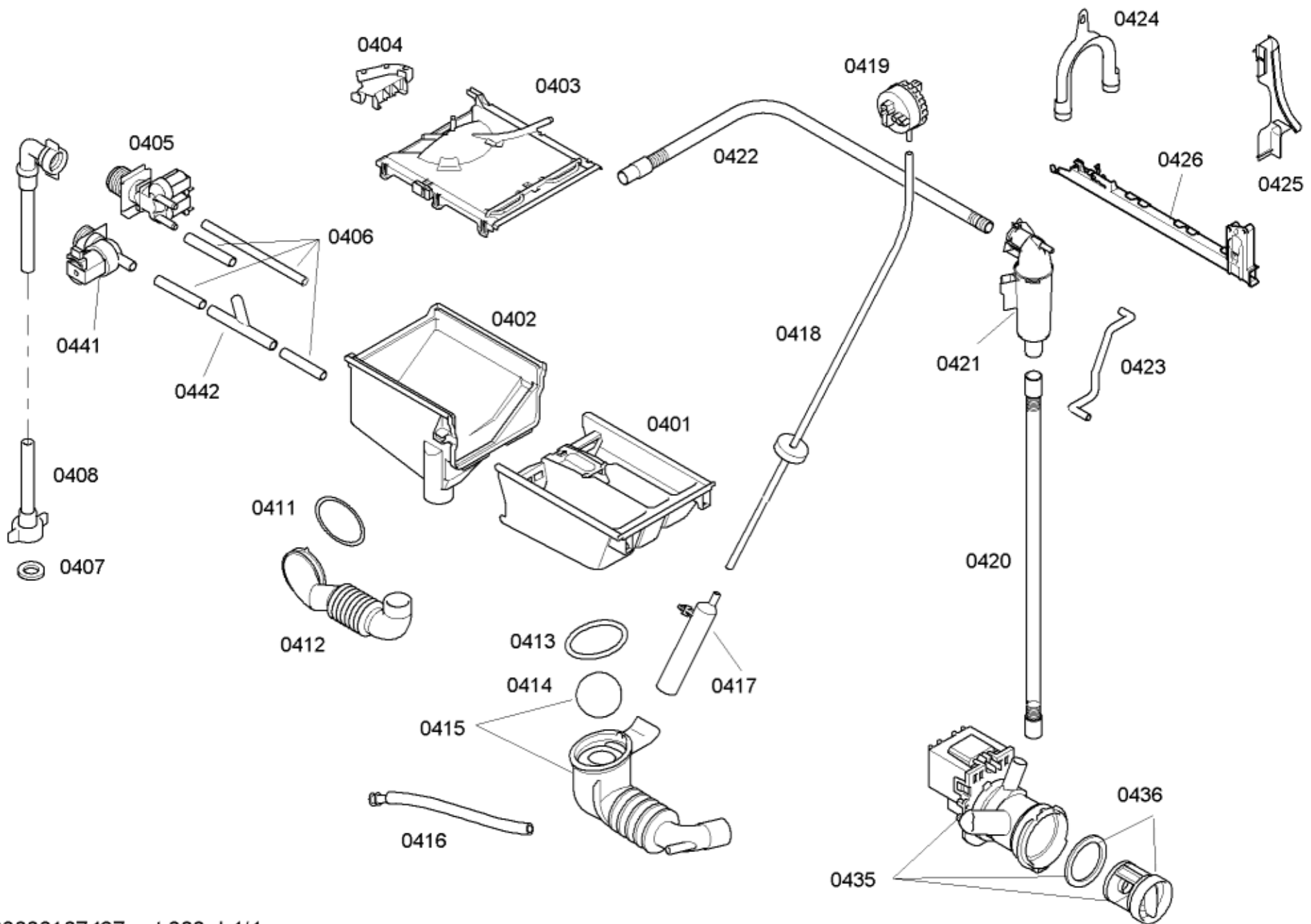


Position ID	Spare part no.	Replacement	Description
0301	00142197		Motor
0302	00154740		Carbon-brush
0303	00168798		Holder
0304	00171272		Fixture
0305	00171271		Screw
0307	00175369		Sensor-NTC
0308	00171273		Holder
0309	00265961		Heating element
0310	00433761	00448032	Shock absorber
0311	00439491		Belt-drive
0312	00171270		Screw
0313	00354130	11002942	Pulley
0314	00172686		Bearing set
0315	00416886		Sealing
0316	00236013		Tub
0317	00171291	00613082	Shaft seal
0318	00215113	00773699	Drum
0319	00238441	00715100	Tub
0320	00216833	00773470	Weight
0321	00265965		Band
0322	00354135		Boot gasket
0323	00354134		fastening ring
0324	00214720		Weight
0325	00265963		Fixing kit
0326	00495646	00642529	Spring-tank
0327	00427067		Spring guide

8401

00529445

Operating/installations
instructions



Position ID	Spare part no.	Replacement	Description
0401	00354123		Dispenser tray
0403	00265957		Dispenser tray-upper part
0404	00171267		Holder
0405	00171261	00428210	Valve-magnet
0406	00171262		Hose-valve/soap box
0407	00027780		Filter-water inlet
0411	00421488		fastening ring
0412	00265958		Hose-fill
0413	00172395	00603523	fastening ring
0414	00171263		Ball-sump
0415	00480436		Eco-hose-sump
0416	00421214		Drain hose
0417	00168817	00424981	Pressure chamber
0418	00171265	00491919	Hose-pressure chamber
0419	00427040		Regulator-water level
0420	00358305		Hose
0421	00358304		Container return
0422	00358306		Outlet hose
0423	00175789		Hose-vent
0424	00084713	00655300	Holder
0425	00267238		Holder
0426	00362255		Duct
0435	00142152	00144486	Pump-drain
0436	00151409		Filter-fluff
8401	00529445		Operating/installations instructions
0441	00428212		Valve-magnet

0442

00173254

Connection piece