

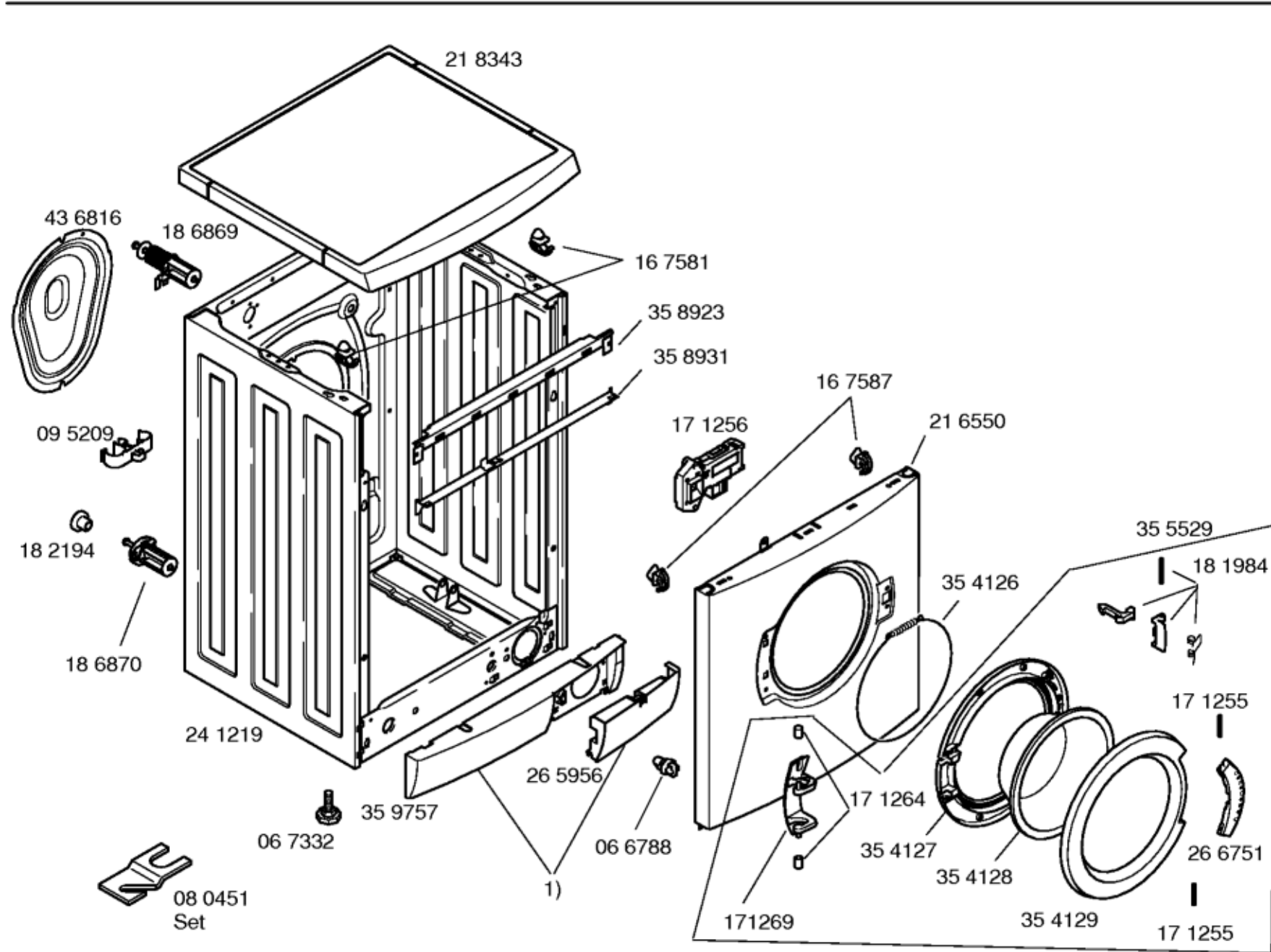
Mat. - Nr. - Konstante
3740

Gebrauchsanweisung

58 3749
(fr)
58 3753
(nl)

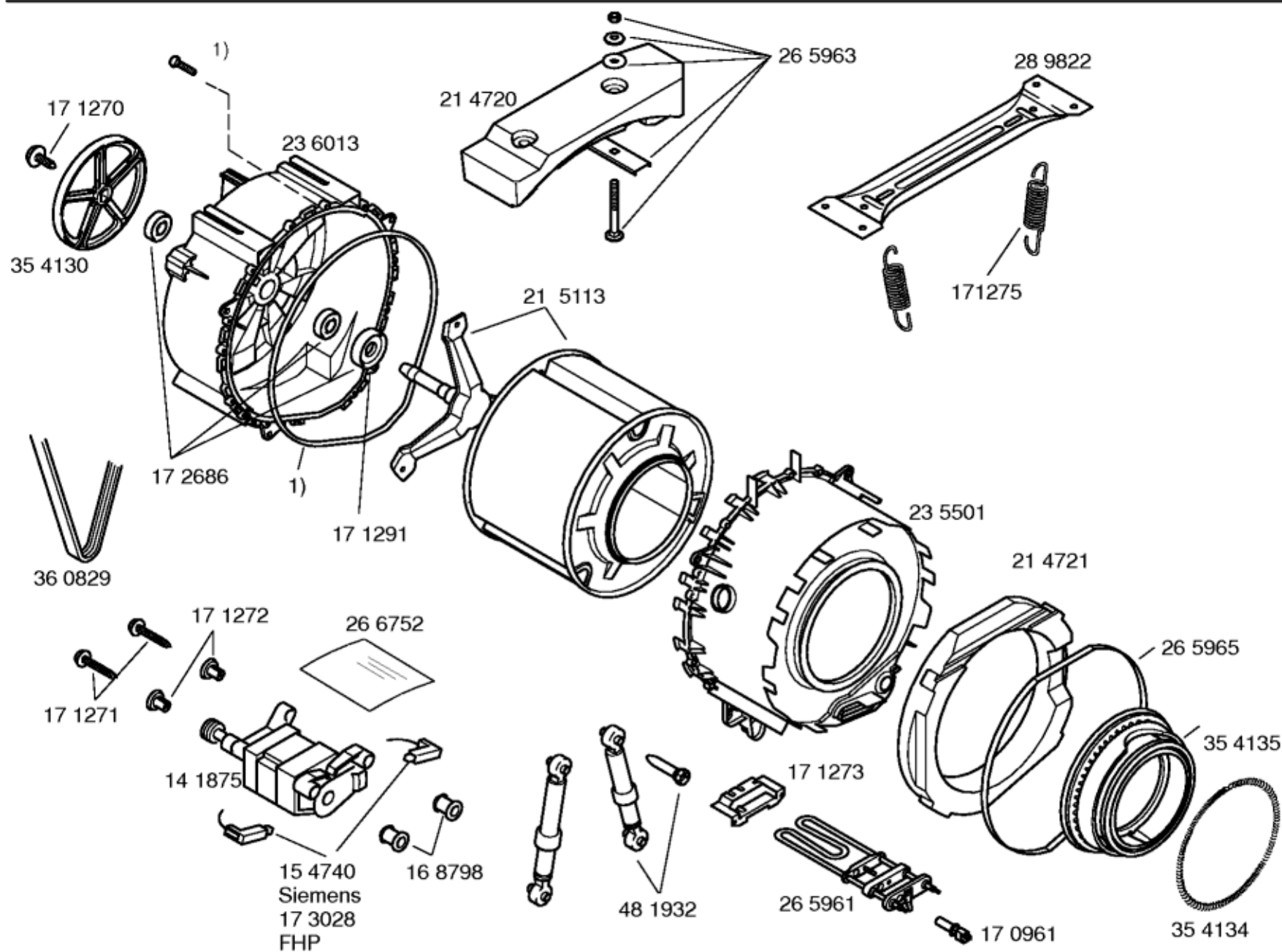
Programmtabelle

58 3750
(fr)
58 3754
(nl)



Mat. – Nr. – Konstante
3740

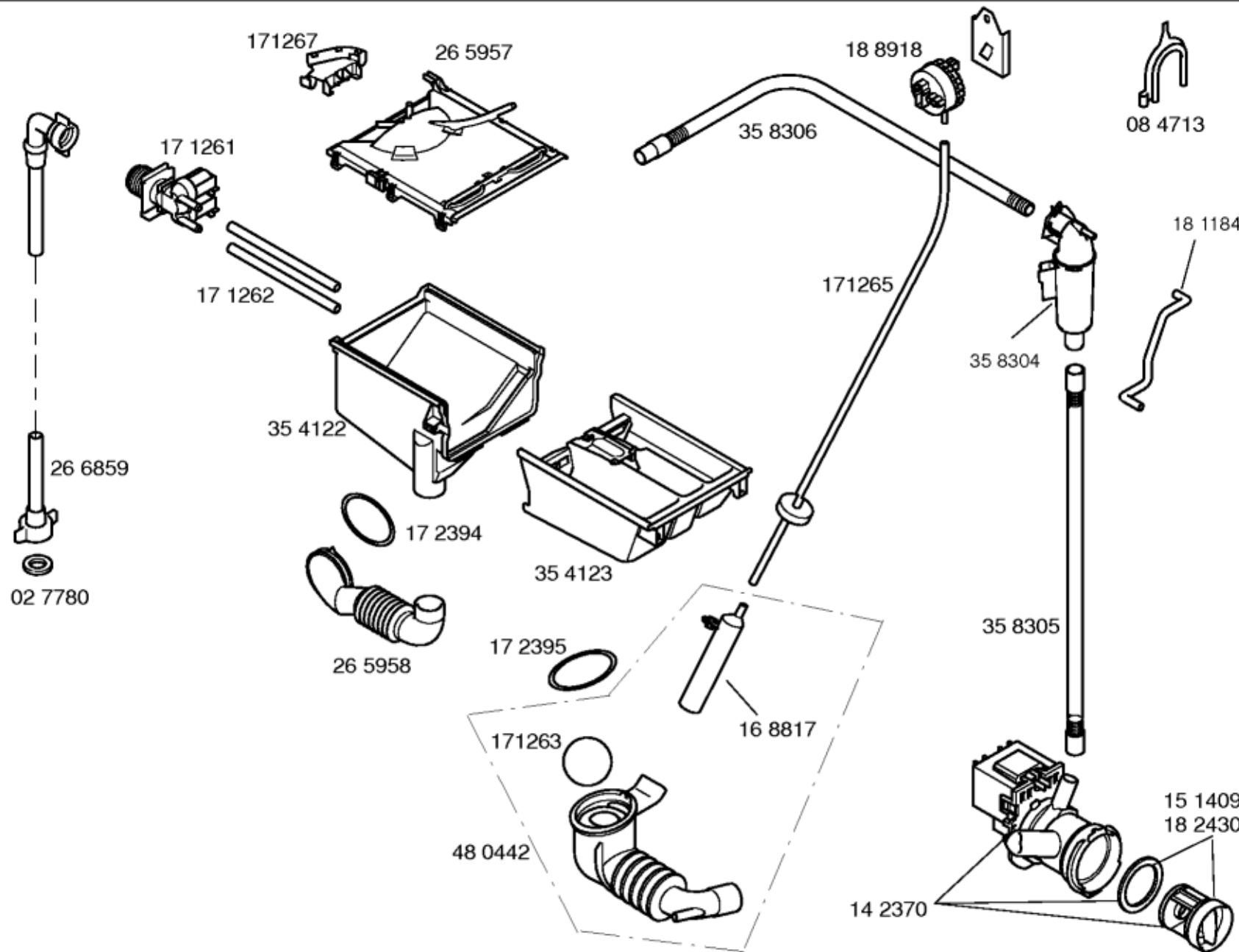
1) 35 5528



Mat. - Nr. - Konstante
3740

1) 26 5964

Mat. - Nr. - Konstante
3740



| Position ID | Spare part no. | Replacement | Description |
|--------------------|-----------------------|--------------------|--------------------------------|
| 0001 | 00067332 | 00621463 | Foot |
| 0002 | 00084713 | 00655300 | Holder |
| 0003 | 00141875 | 00144797 | Motor |
| 0004 | 00142370 | 00145787 | Pump-drain |
| 0005 | 00163750 | | Ball bearing |
| 0008 | 00167581 | | Holder |
| 0009 | 00167587 | 00067083 | Holder |
| 0010 | 00170961 | | Sensor-NTC |
| 0011 | 00171253 | 00481580 | Power cord |
| 0012 | 00171254 | 00623842 | Capacitor-interference suppre. |
| 0013 | 00171256 | 00182154 | Electric lock |
| 0014 | 00171261 | 00428210 | Valve-magnet |
| 0015 | 00171262 | | Hose-valve/soap box |
| 0016 | 00171267 | | Holder |
| 0017 | 00171270 | | Screw |
| 0018 | 00171271 | | Screw |
| 0019 | 00171272 | | Fixture |
| 0020 | 00171273 | | Holder |
| 0021 | 00171275 | 00606818 | Spring-tank |
| 0022 | 00172394 | 00421488 | fastening ring |
| 0023 | 00172395 | 00603523 | fastening ring |
| 0025 | 00214720 | | Weight |
| 0026 | 00214721 | 00773470 | Weight |
| 0027 | 00215113 | 00773699 | Drum |
| 0028 | 00218343 | | Worktop |
| 0029 | 00235501 | 00715100 | Tub |
| 0030 | 00235567 | | Front panel |

| | | | |
|------|----------|----------|------------------|
| 0031 | 00236013 | | Tub |
| 0032 | 00265958 | | Hose-fill |
| 0033 | 00265965 | | Band |
| 0034 | 00266752 | | Cover |
| 0035 | 00266859 | 12013467 | Hose-inlet |
| 0036 | 00289822 | | Support |
| 0037 | 00354126 | 00439671 | fastening ring |
| 0038 | 00354130 | 11002942 | Pulley |
| 0039 | 00354134 | | fastening ring |
| 0040 | 00354135 | | Boot gasket |
| 0043 | 00355529 | | Window |
| 0044 | 00354129 | 00366232 | Frame-window |
| 0045 | 00354127 | 00715042 | Ring |
| 0046 | 00354128 | 11020392 | Window |
| 0047 | 00266751 | | Handle |
| 0048 | 00171255 | | Axis |
| 0049 | 00171264 | | Bushing |
| 0050 | 00171269 | | Hinge-window |
| 0051 | 00171278 | 00634207 | Latch |
| 0052 | 00358304 | | Container return |
| 0053 | 00358305 | | Hose |
| 0054 | 00358306 | | Outlet hose |
| 0055 | 00181184 | | Hose-vent |
| 0056 | 00358923 | | Rail |
| 0057 | 00358931 | 00435791 | Rail |
| 0058 | 00360829 | 00439490 | Belt-drive |
| 0059 | 00171291 | 00613082 | Shaft seal |
| 0060 | 00265964 | | Sealing |
| 0061 | 00481932 | 00448032 | Shock absorber |

| | | | |
|------|----------|----------|---------------------------|
| 0062 | 00265961 | | Heating element |
| 0063 | 00480442 | | Eco-hose-sump |
| 0064 | 00488283 | | Power module |
| 0065 | 00266748 | 00267678 | Tray handle-dispenser |
| 0066 | 00172699 | | Knob-programme |
| 0067 | 00172700 | | Knob-RPM |
| 0068 | 00265957 | | Dispenser tray-upper part |
| 0069 | 00354122 | | Dispenser tray-lower part |
| 0070 | 00354123 | | Dispenser tray |
| 0076 | 00186869 | 00429205 | Transit bolt |
| 0077 | 00186870 | | Transit bolt |
| 0078 | 00172686 | | Bearing set |
| 0079 | 00436816 | | Case-rear part |
| 0080 | 00241219 | 00711567 | Housing |