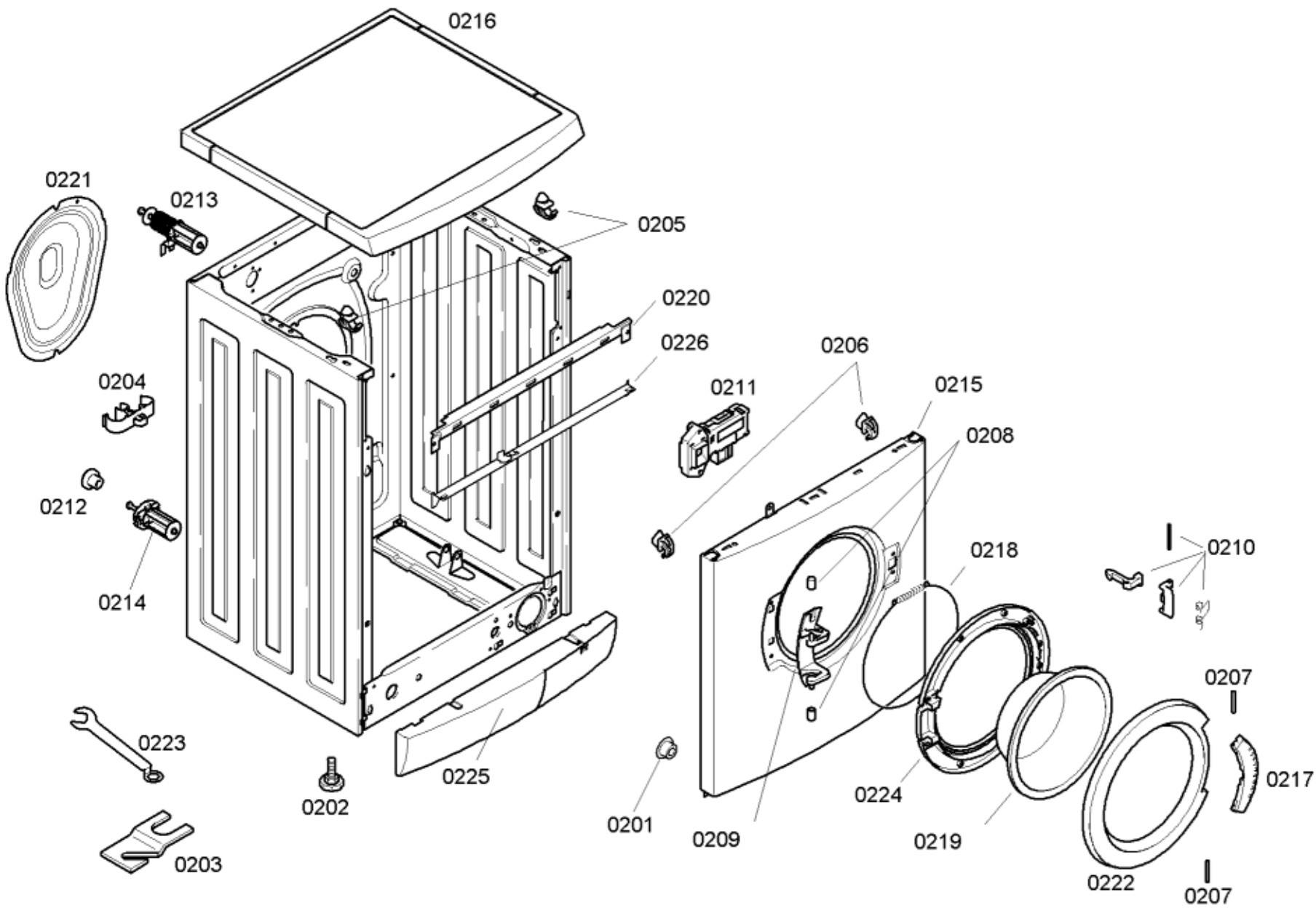


Position ID	Spare part no.	Replacement	Description
0101	00424361	00600110	Cable harness
0102	00423701		Cable harness
0103	00423704		Cable harness
0104	00172697		Coupling
0105	00172698		Coupling
0106	00172699		Knob-programme
0107	00172700		Knob-RPM
0108	00181928	00623842	Capacitor-interference suppre.
0109	00266722	00481580	Power cord
0110	00266748	00267678	Tray handle-dispenser
0113	00438749	00443356	Control module
8400	00591560		Operating/installations instructions

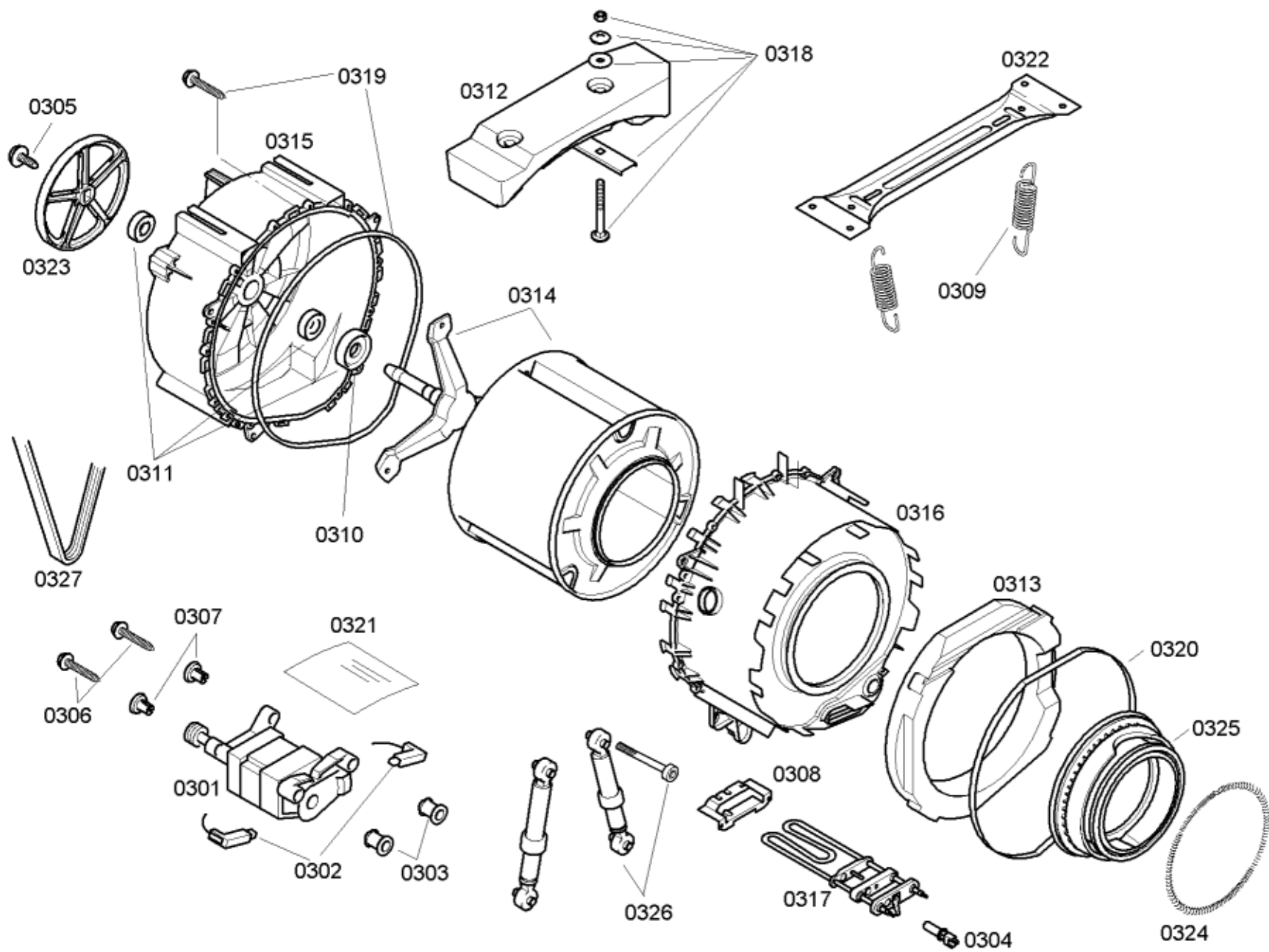


Position ID	Spare part no.	Replacement	Description
0201	00029854	00606923	Holder
0202	00067332	00621463	Foot
0203	00080451	00493529	Floor Securing Component
0204	00095209		Holder
0205	00167581		Holder
0206	00167587	00067083	Holder
0207	00171255		Axis
0208	00171264		Bushing
0209	00171269		Hinge-window
0210	00181984	00634207	Latch
0211	00182154		Electric lock
0212	00182194		Lid
0213	00186869	00429205	Transit bolt
0214	00186870		Transit bolt
0215	00216550	00235567	Front panel
0216	00218343		Worktop
0217	00266751		Handle
0218	00439671		fastening ring
0219	00354128	11020392	Window
0220	00358923		Rail
0221	00362761		Case-rear part
0222	00366232		Frame-window
0223	00416875		Auxiliary tool
0224	00432073		Ring
0225	00434552	00796389	Panel-base
0226	00435791		Rail

8400

00591560

Operating/installations
instructions

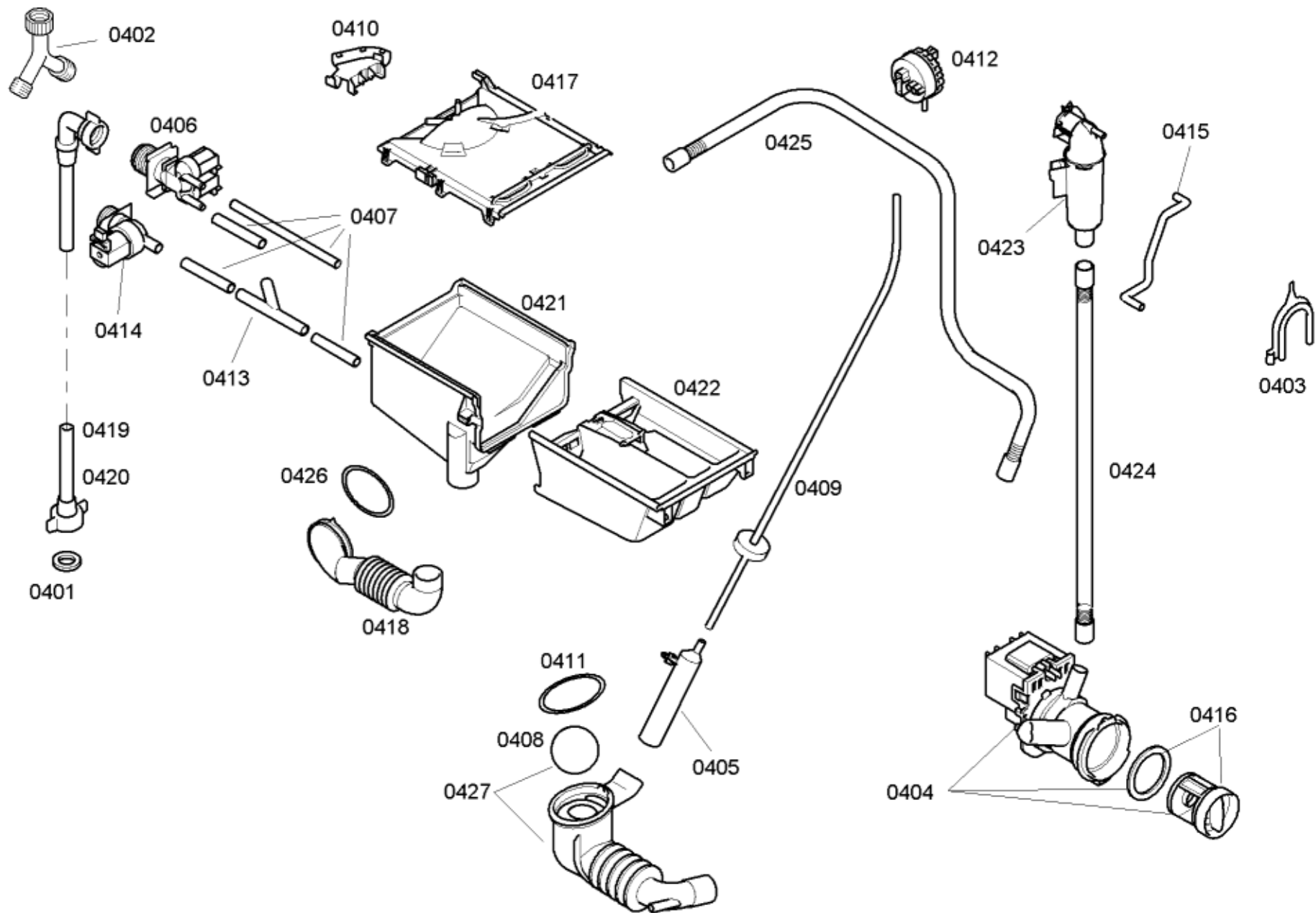


Position ID	Spare part no.	Replacement	Description
0301	00141875	00144797	Motor
0302	00154740		Carbon-brush
0303	00168798		Holder
0304	00170961		Sensor-NTC
0305	00171270		Screw
0306	00171271		Screw
0307	00171272		Fixture
0308	00171273		Holder
0309	00171275	00606818	Spring-tank
0310	00171291	00613082	Shaft seal
0311	00172686		Bearing set
0312	00214720		Weight
0313	00214721	00773470	Weight
0314	00215113	00773699	Drum
0315	00236013		Tub
0316	00238441	00715100	Tub
0317	00265961		Heating element
0318	00265963		Fixing kit
0319	00265964		Sealing
0320	00265965		Band
0321	00266752		Cover
0322	00289822		Support
0323	00354130	11002942	Pulley
0324	00354134		fastening ring
0325	00354135		Boot gasket
0326	00433761	00448032	Shock absorber
0327	00439490		Belt-drive

8400

00591560

Operating/installations
instructions



Position ID	Spare part no.	Replacement	Description
0401	00027780		Filter-water inlet
0403	00084713	00655300	Holder
0404	00142370	00145787	Pump-drain
0405	00168817	00424981	Pressure chamber
0406	00171261	00428210	Valve-magnet
0407	00171262		Hose-valve/soap box
0408	00171263		Ball-sump
0409	00171265	00491919	Hose-pressure chamber
0410	00171267		Holder
0411	00172395	00603523	fastening ring
0412	00172693	00600925	Regulator-water level
0413	00173254		Connection piece
0414	00173369	00428212	Valve-magnet
0415	00175789		Hose-vent
0416	00182430		Filter-fluff
0417	00265957		Dispenser tray-upper part
0418	00265958		Hose-fill
0419	00353924	00700836	Hose-inlet
0420	00353925		Hose-inlet
0421	00354122		Dispenser tray-lower part
0422	00354123		Dispenser tray
0423	00358304		Container return
0424	00358305		Hose
0425	00358306		Outlet hose
0426	00421488		fastening ring
0427	00483993		Eco-hose-sump

8400	00591560		Operating/installations instructions
0402	00552829		Part not included in this appliance