

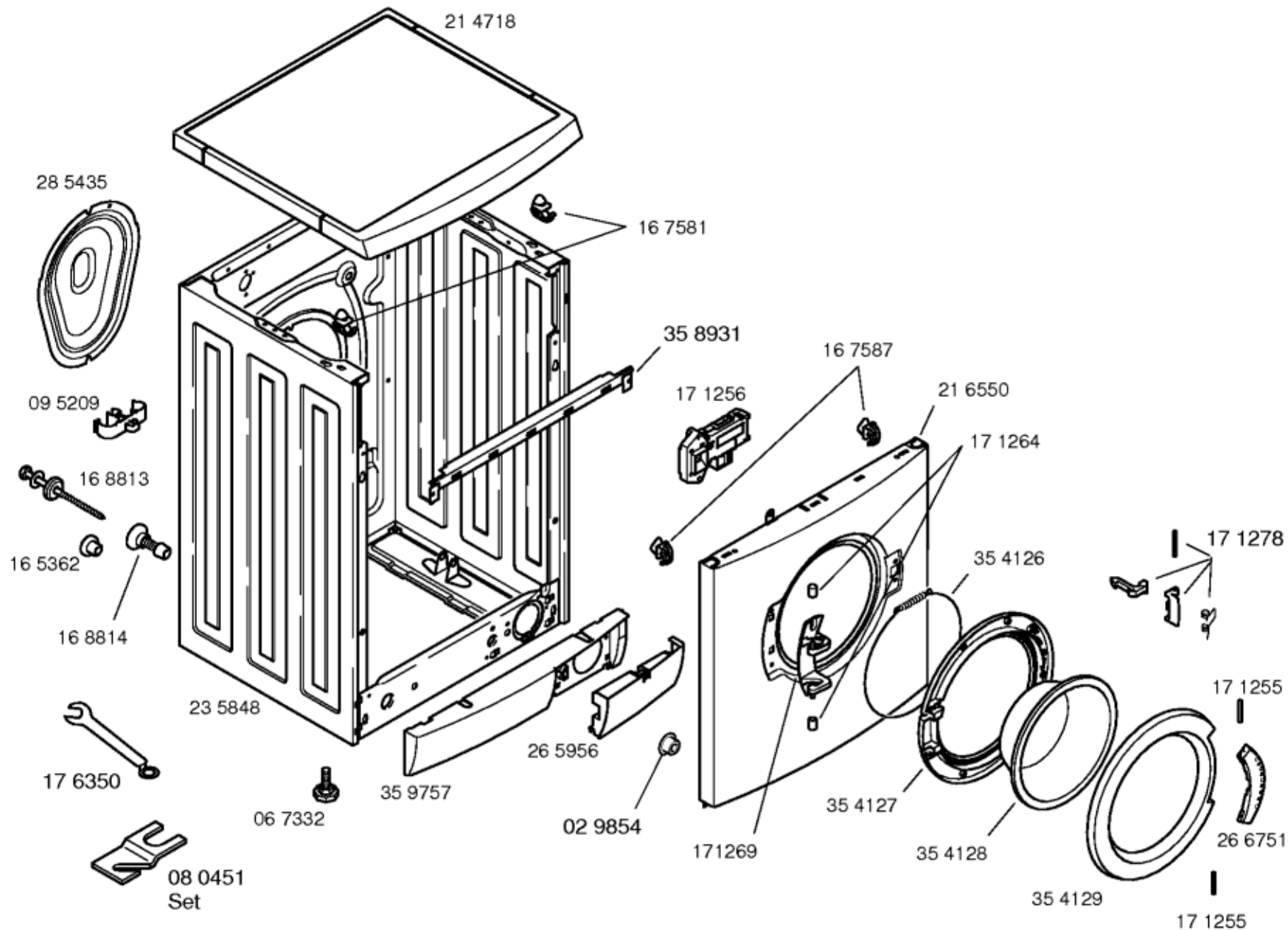
Mat. - Nr. - Konstante
3740

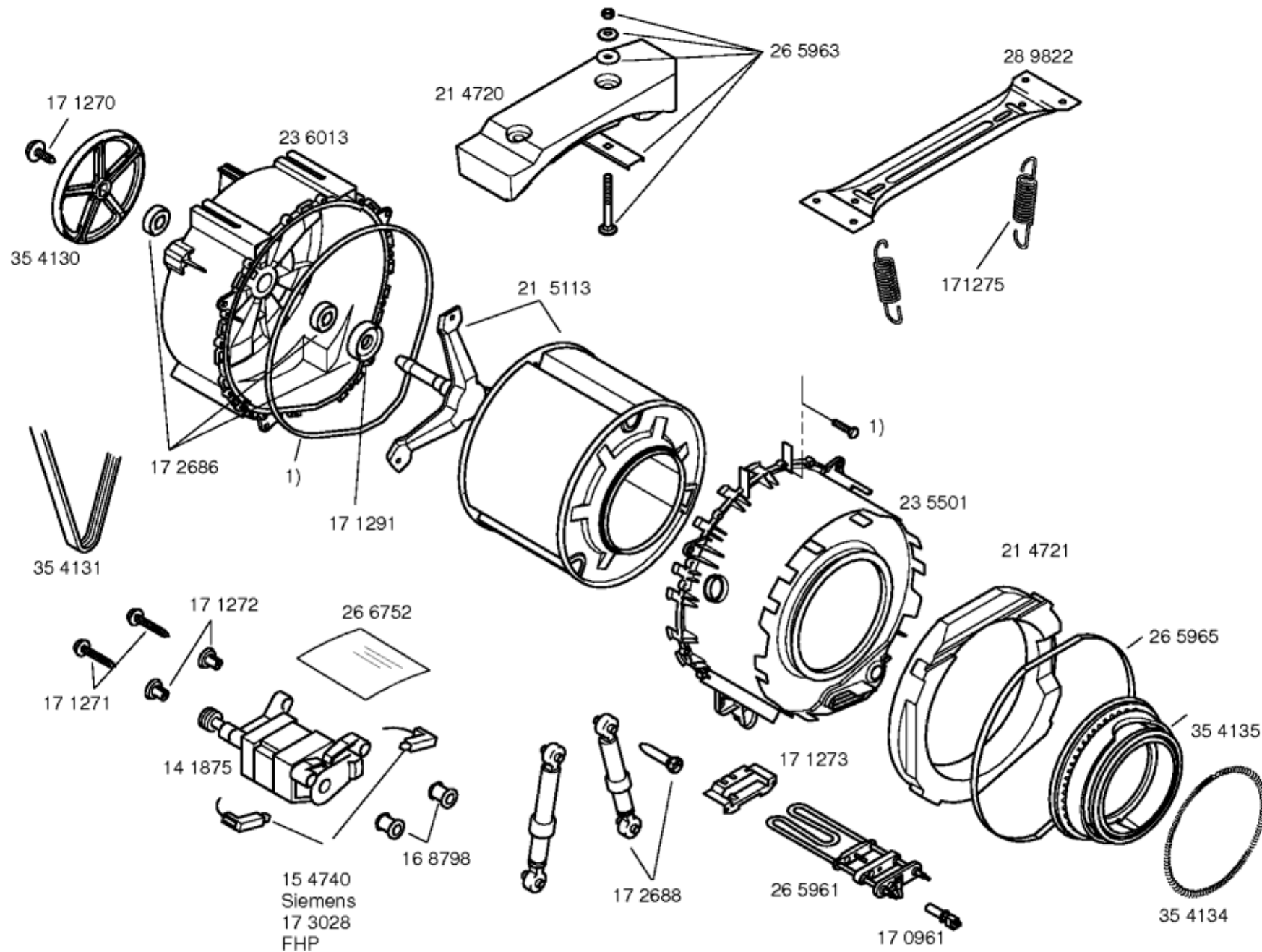
Gebrauchs-
Aufstellenweisung
52 7311
(fr)

Programmtabelle
52 7312
(fr)

1) 36 0101
(fr)

Mat. - Nr. - Konstante
3740

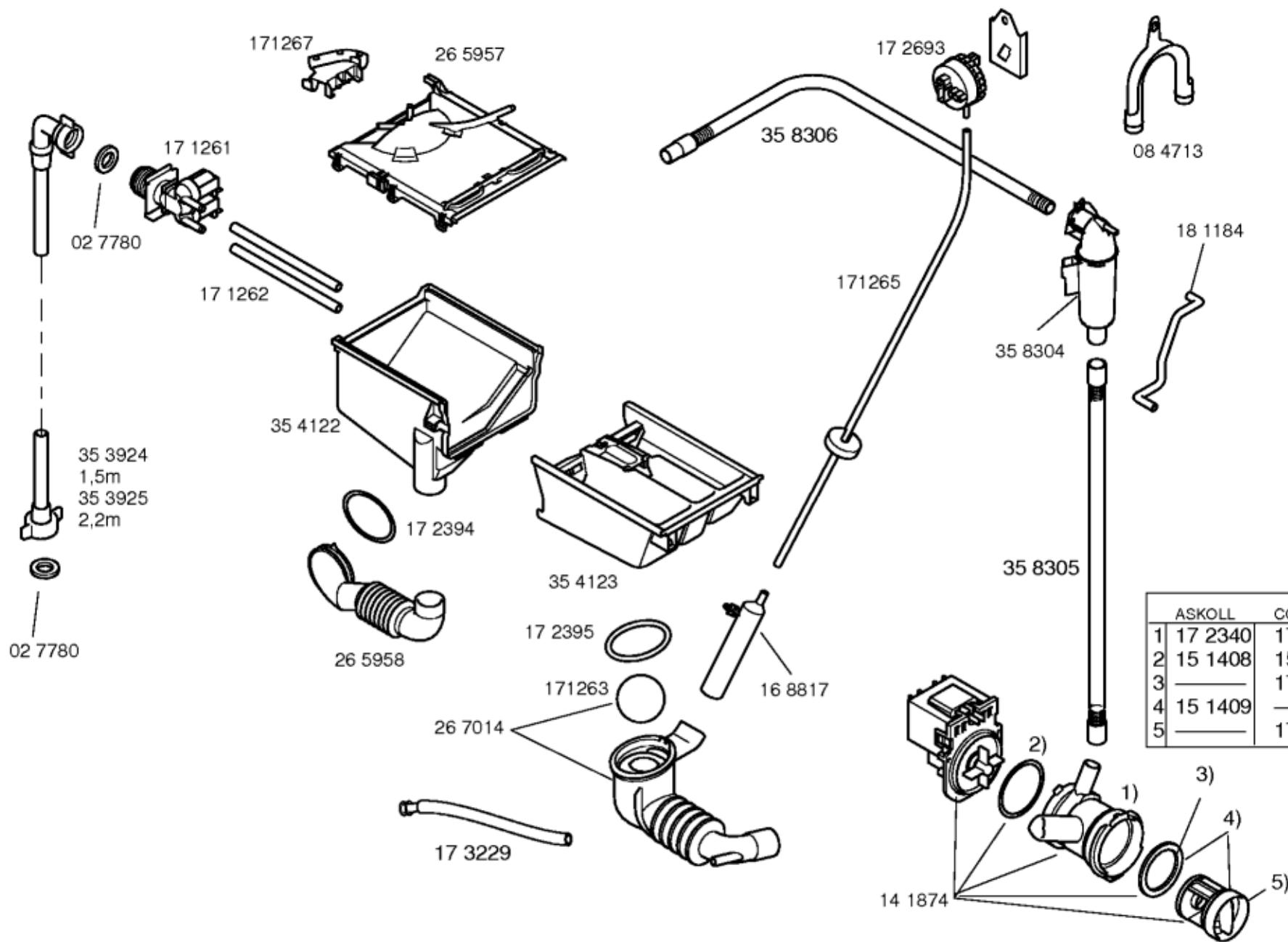




Mat. - Nr. - Konstante
3740

1) 26 5964

Mat. – Nr. – Konstante
3740



Position ID	Spare part no.	Replacement	Description
0104	00171253	00481580	Power cord
0106	00171254	00623842	Capacitor-interference suppre.
0108	00172694		Cable harness
0108	00172695	00423701	Cable harness
0108	00172696	00423704	Cable harness
0110	00268118	00432218	Control module
0114	00172697		Coupling
0116	00172699		Knob-programme
0118	00172698		Coupling
0120	00172700		Knob-RPM
0122	00267678		Tray handle-dispenser
0200	00168813		Transit bolt
0202	00168814	00600388	Distance holder
0204	00165362		Cover
0206	00095209		Holder
0208	00285435		Case-rear part
0210	00235848	00236690	Housing
0212	00067332	00621463	Foot
0214	00214718	00218343	Worktop
0216	00167581		Holder
0220	00359757	00796389	Panel-base
0222	00265956	00796389	Panel-base
0224	00171256	00182154	Electric lock
0226	00167587	00067083	Holder
0228	00029854	00606923	Holder
0230	00216550	00235567	Front panel
0232	00171264		Bushing

0234	00171269		Hinge-window
0236	00354126	00439671	fastening ring
0238	00354127	00715042	Ring
0240	00354128	11020392	Window
0242	00354129	00366232	Frame-window
0244	00266751		Handle
0246	00171255		Axis
0247	00171278	00634207	Latch
0248	00080451	00493529	Floor Securing Component
0250	00176350	00416875	Auxiliary tool
0252	00358931	00435791	Rail
0300	00289822		Support
0302	00171275	00606818	Spring-tank
0304	00265963		Fixing kit
0306	00214720		Weight
0308	00171270		Screw
0310	00354130	11002942	Pulley
0312	00354131	00678914	Belt-drive
0314	00236013		Tub
0315	00172686		Bearing set
0316	00265964		Sealing
0317	00171291	00613082	Shaft seal
0322	00215113	00773699	Drum
0324	00235501	00715100	Tub
0326	00214721	00773470	Weight
0328	00265965		Band
0330	00354135		Boot gasket
0332	00354134		fastening ring
0334	00171273		Holder

0336	00265961		Heating element
0338	00170961		Sensor-NTC
0340	00172688	00448032	Shock absorber
0342	00171271		Screw
0344	00171272		Fixture
0346	00168798		Holder
0348	00141876	00145563	Motor
0350	00154740		Carbon-brush
0350	00173028		Carbon-brush
0351	00266752		Cover
0400	00353924	00700836	Hose-inlet
0400	00353925		Hose-inlet
0402	00027780		Filter-water inlet
0406	00171261	00428210	Valve-magnet
0408	00171262		Hose-valve/soap box
0410	00171267		Holder
0412	00265957		Dispenser tray-upper part
0414	00354122		Dispenser tray-lower part
0416	00354123		Dispenser tray
0418	00265958		Hose-fill
0420	00267014	00480436	Eco-hose-sump
0422	00171263		Ball-sump
0424	00168817	00424981	Pressure chamber
0428	00171265	00491919	Hose-pressure chamber
0430	00172693	00600925	Regulator-water level
0434	00358305		Hose
0440	00141874	00145787	Pump-drain
0442	00154358		Sealing
0442	00151408		Sealing

0444	00172337		Pump-housing
0444	00172340	00145787	Pump-drain
0446	00172338		Sealing
0448	00172339		Filter-fluff
0448	00151409		Filter-fluff
0450	00084713	00655300	Holder
0450	00358304		Container return
0451	00172395	00603523	fastening ring
0452	00172394	00421488	fastening ring
0452	00358306		Outlet hose
0454	00181184		Hose-vent
0556	00173229	00608010	Drain hose