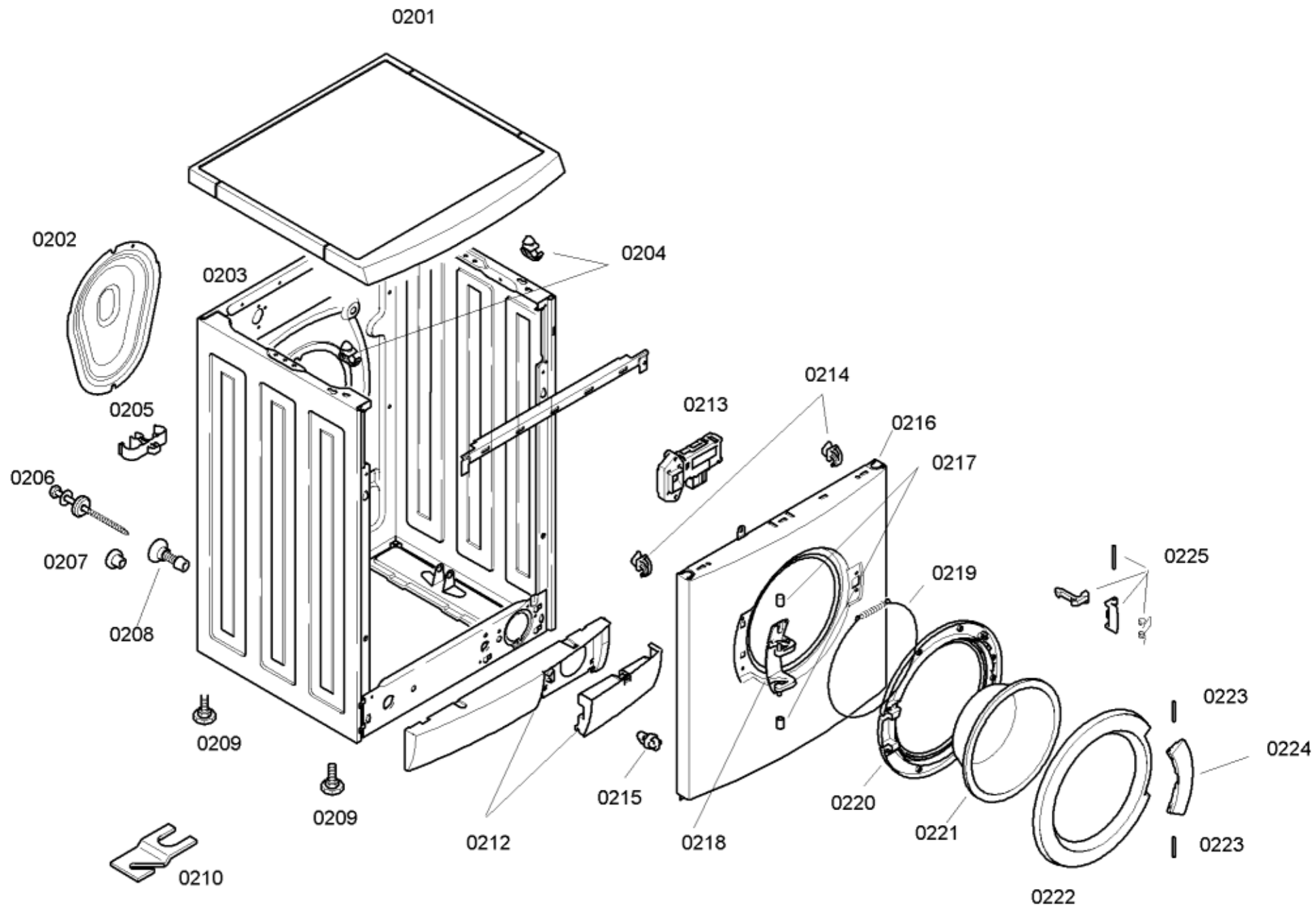
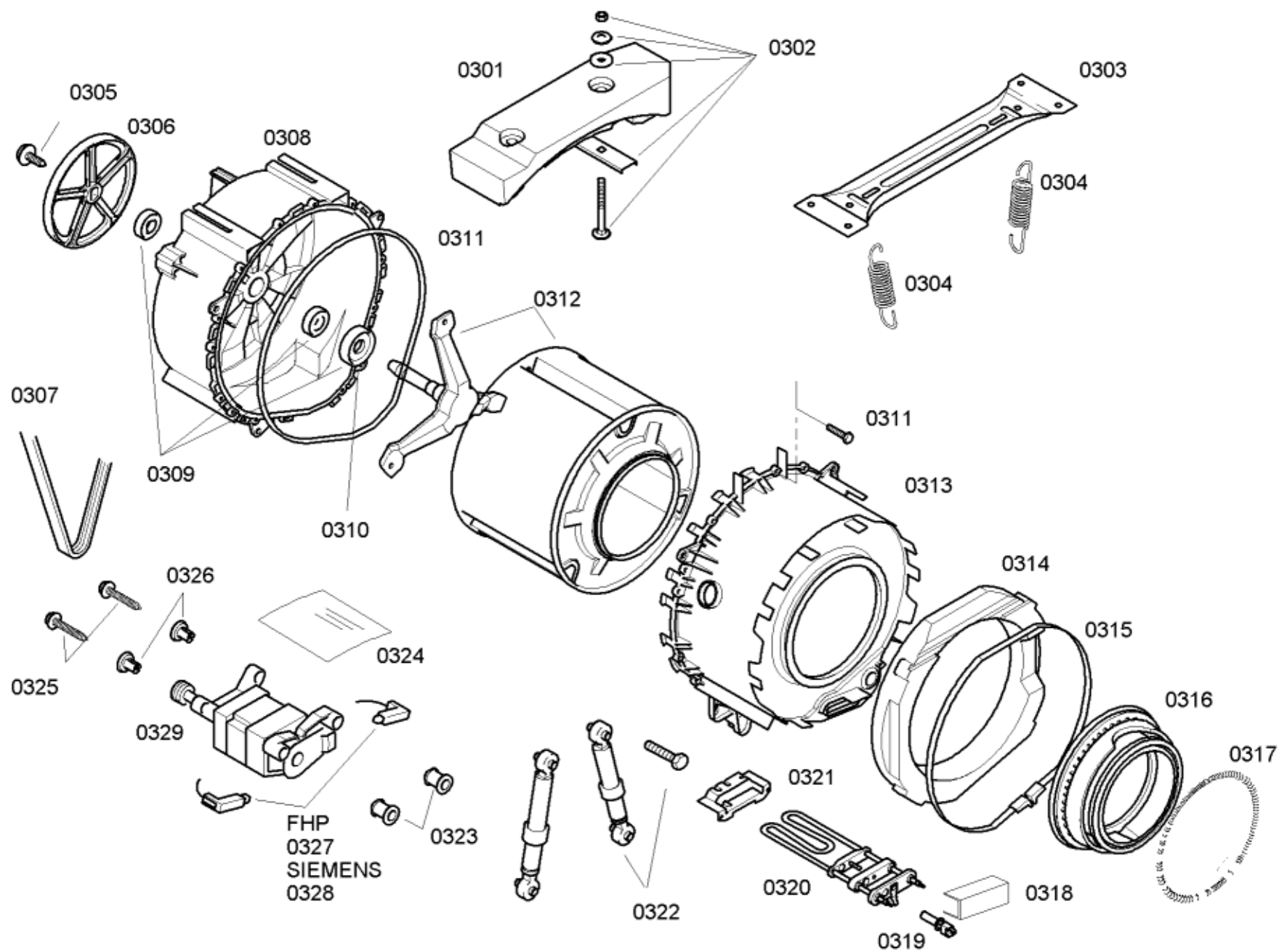


Position ID	Spare part no.	Replacement	Description
0101	00266722	00481580	Power cord
0102	00171254	00623842	Capacitor-interference suppre.
0103	00440012	00443356	Control module
0105	00423938		Cable harness
0106	00423701		Cable harness
0107	00423702		Cable harness
0108	00423940		Cable harness
0109	00423939		Cable harness
0110	00423704		Cable harness
0111	00600110		Cable harness
0113	00173541	00188590	Sealing
0114	00266748	00267678	Tray handle-dispenser
0115	00172697		Coupling
0116	00172699		Knob-programme
0117	00172698		Coupling
0118	00172700		Knob-RPM
0119	00182429		Nut
8000	00472560		Built-under kit
8400	00589643		Instruction manual

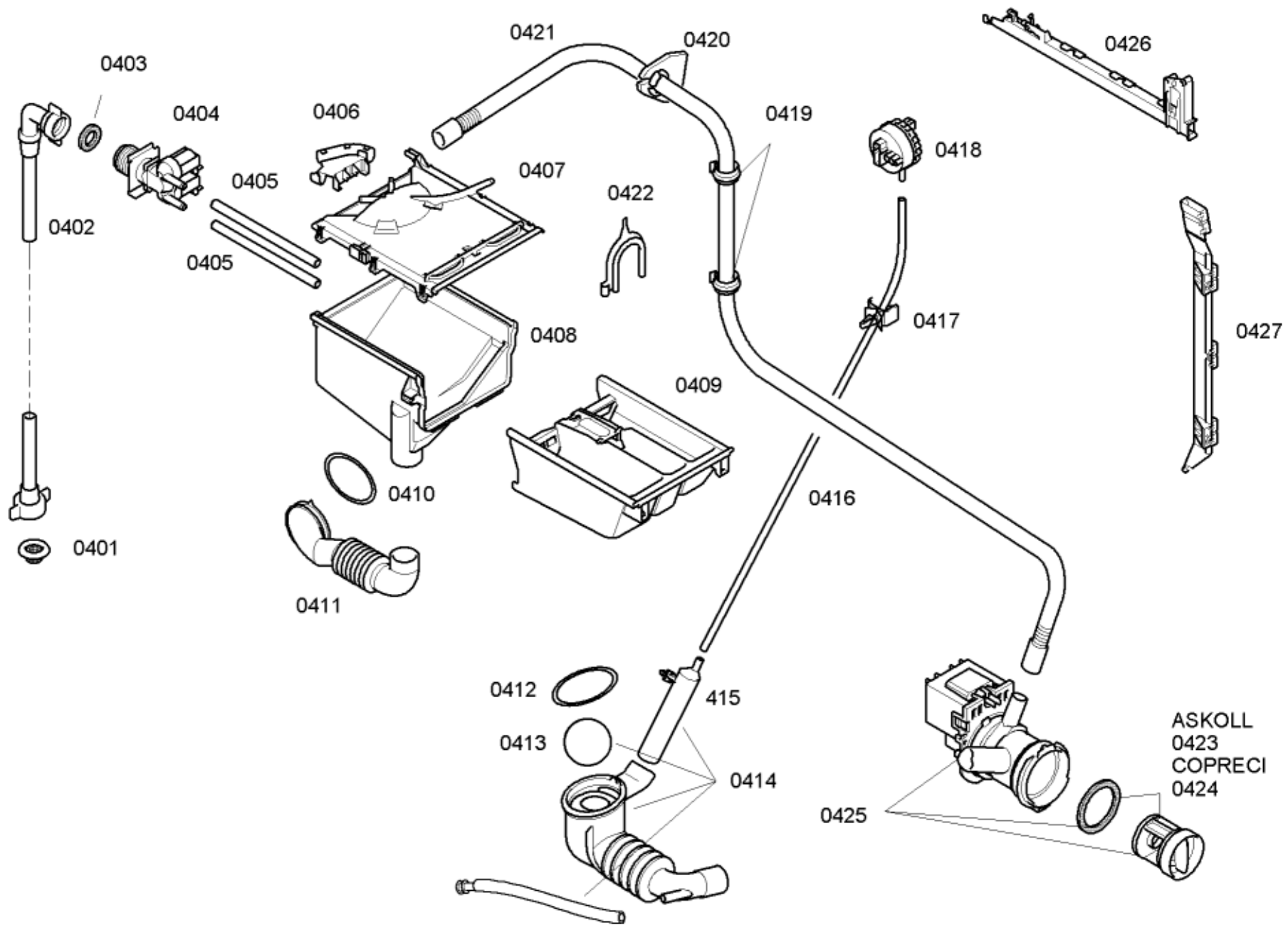


Position ID	Spare part no.	Replacement	Description
0201	00218343		Worktop
0202	00285435		Case-rear part
0203	00235129		Housing
0204	00167581		Holder
0205	00095209		Holder
0206	00168813		Transit bolt
0207	00165362		Cover
0208	00168814	00600388	Distance holder
0209	00067332	00621463	Foot
0210	00080451	00493529	Floor Securing Component
0212	00434552	00796389	Panel-base
0213	00426992	00603514	Electric lock
0214	00167587	00067083	Holder
0215	00066788		Holder
0216	00214719	00235567	Front panel
0217	00171264		Bushing
0218	00171269		Hinge-window
0219	00354126	00439671	fastening ring
0220	00432073		Ring
0221	00354128	11020392	Window
0222	00366232		Frame-window
0223	00171255		Axis
0224	00266751		Handle
0225	00173251	00634207	Latch
8000	00472560		Built-under kit
8400	00589643		Instruction manual



Position ID	Spare part no.	Replacement	Description
0301	00214720		Weight
0302	00265963		Fixing kit
0303	00289822		Support
0304	00069605		Spring
0305	00171270		Screw
0306	00354130	11002942	Pulley
0307	00354131	00678914	Belt-drive
0308	00235499	00714215	Tub at rear
0309	00172686		Bearing set
0310	00171291	00613082	Shaft seal
0311	00265964		Sealing
0312	00215113	00773699	Drum
0313	00235501	00715100	Tub
0314	00218780	00773470	Weight
0315	00265965		Band
0316	00354135		Boot gasket
0317	00354134		fastening ring
0318	00172719		Cover
0319	00170961		Sensor-NTC
0320	00265961		Heating element
0321	00171263		Ball-sump
0322	00433761	00448032	Shock absorber
0323	00168798		Holder
0324	00266752		Cover
0325	00171271		Screw
0326	00171272		Fixture
0327	00173028		Carbon-brush

0328	00154740		Carbon-brush
0329	00141875	00144797	Motor
8000	00472560		Built-under kit
8400	00589643		Instruction manual



Position ID	Spare part no.	Replacement	Description
0401	00034887	00027780	Filter-water inlet
0402	00353924	00700836	Hose-inlet
0403	00066627		Sealing
0404	00171261	00428210	Valve-magnet
0405	00171262		Hose-valve/soap box
0406	00171267		Holder
0407	00265957		Dispenser tray-upper part
0408	00354122		Dispenser tray-lower part
0409	00354123		Dispenser tray
0410	00172394	00421488	fastening ring
0411	00265958		Hose-fill
0412	00172395	00603523	fastening ring
0413	00171263		Ball-sump
0414	00480442		Eco-hose-sump
0415	00168817	00424981	Pressure chamber
0416	00171265	00491919	Hose-pressure chamber
0417	00032582		Holder
0418	00188918	00427040	Regulator-water level
0419	00068337		Holder
0420	00150871		Terminal
0421	00354124		Outlet hose
0422	00092126		Holder
0423	00151409		Filter-fluff
0424	00172339		Filter-fluff
0425	00143995	00145787	Pump-drain
0426	00362255		Duct
0427	00362256		Duct

8000	00472560		Built-under kit
8400	00589643		Instruction manual