

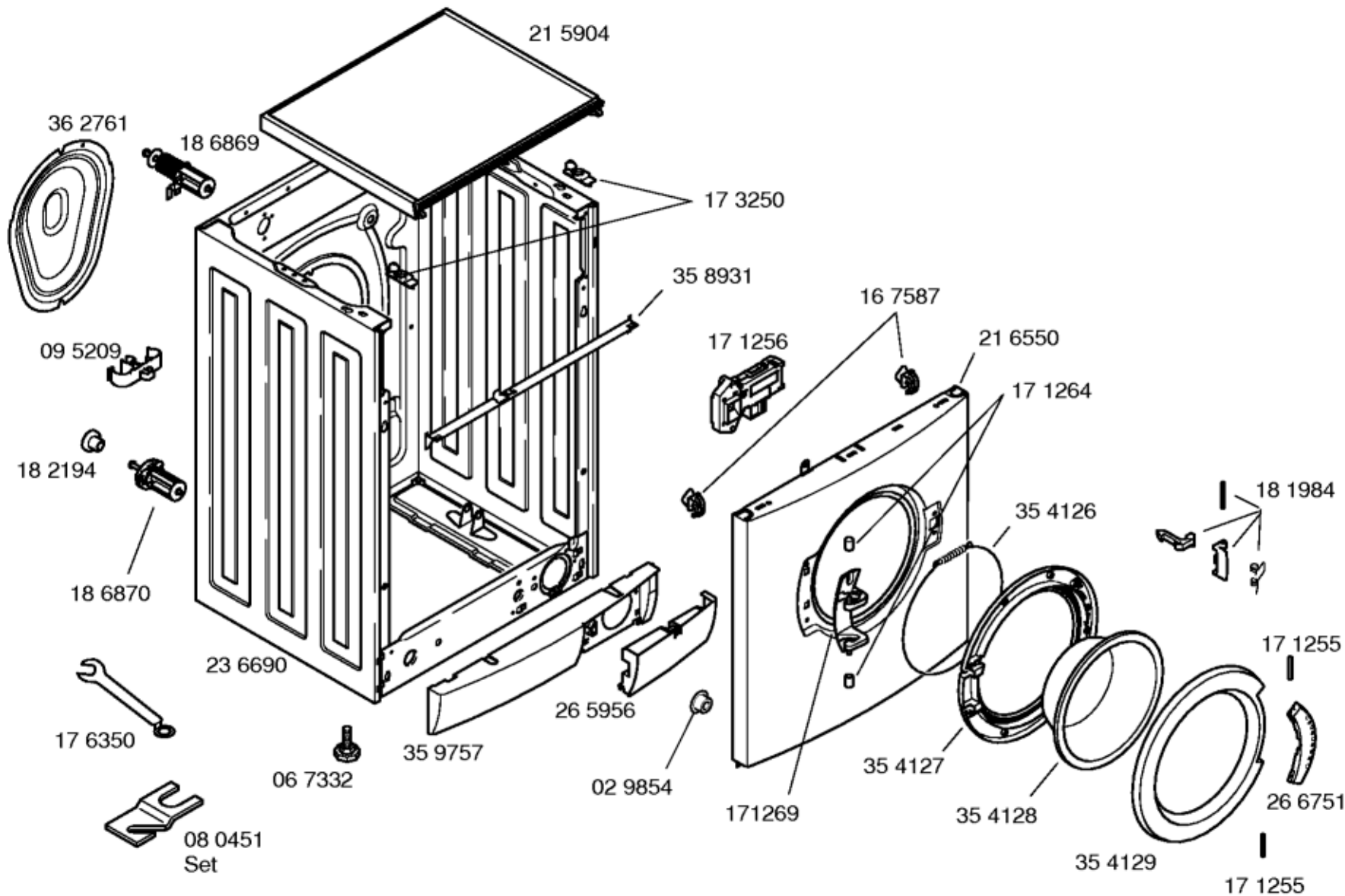
Mat. - Nr. - Konstante
3740

Gebrauchs-
Aufstellenweisung
52 7391 58 0730
(de) V01 (de) V02
58 0732 58 0735
(el) V02 (en) V02

Programmtabelle
52 7392 58 0731
(de) V01 (de) V02
58 0733 58 0738
(el) V02 (en) V02

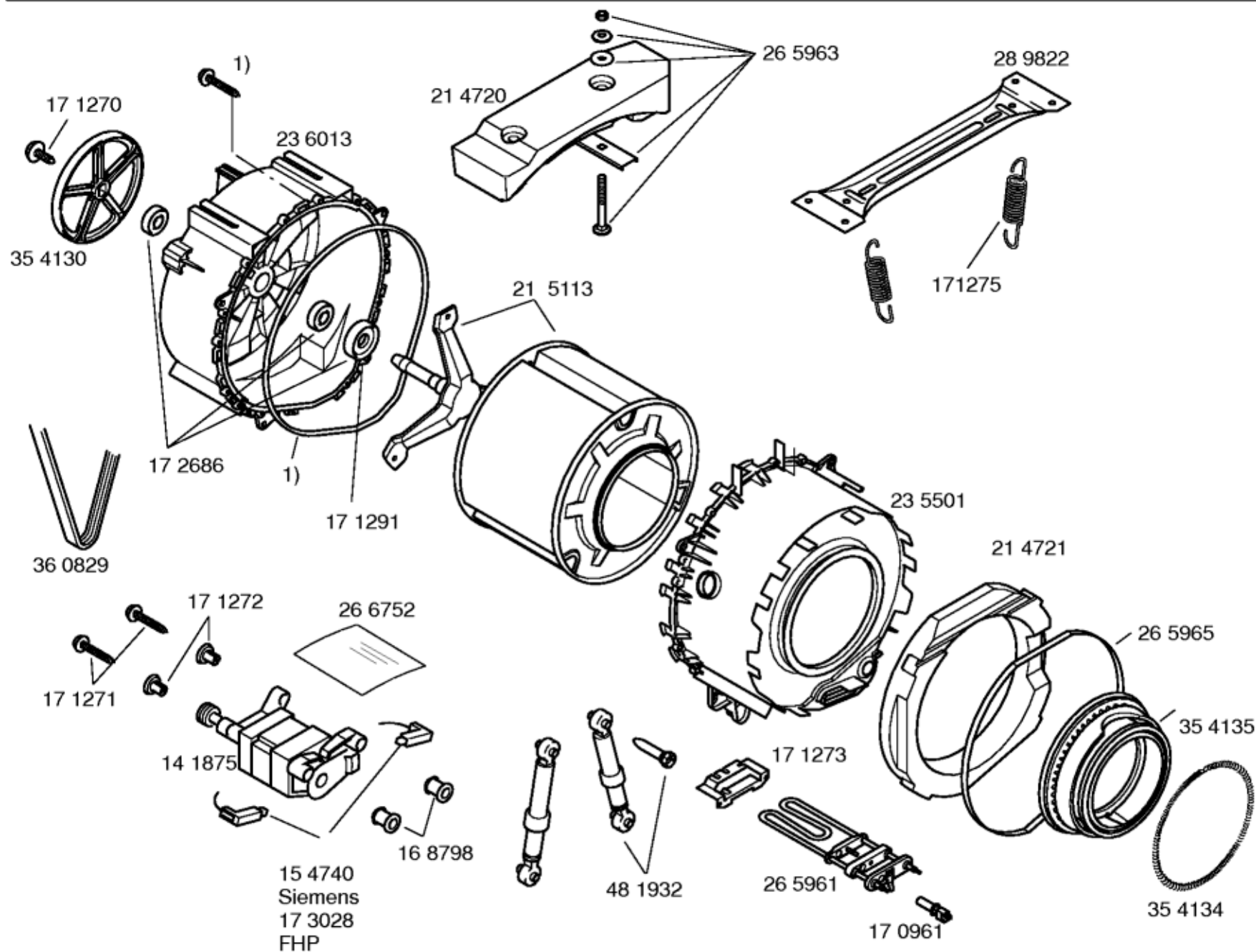
1) 35 6812
(de) V01
35 6105
(Symbole) V02

2) 26 7455
(gr)
26 7084
(gb)



Mat. - Nr. - Konstante
3740

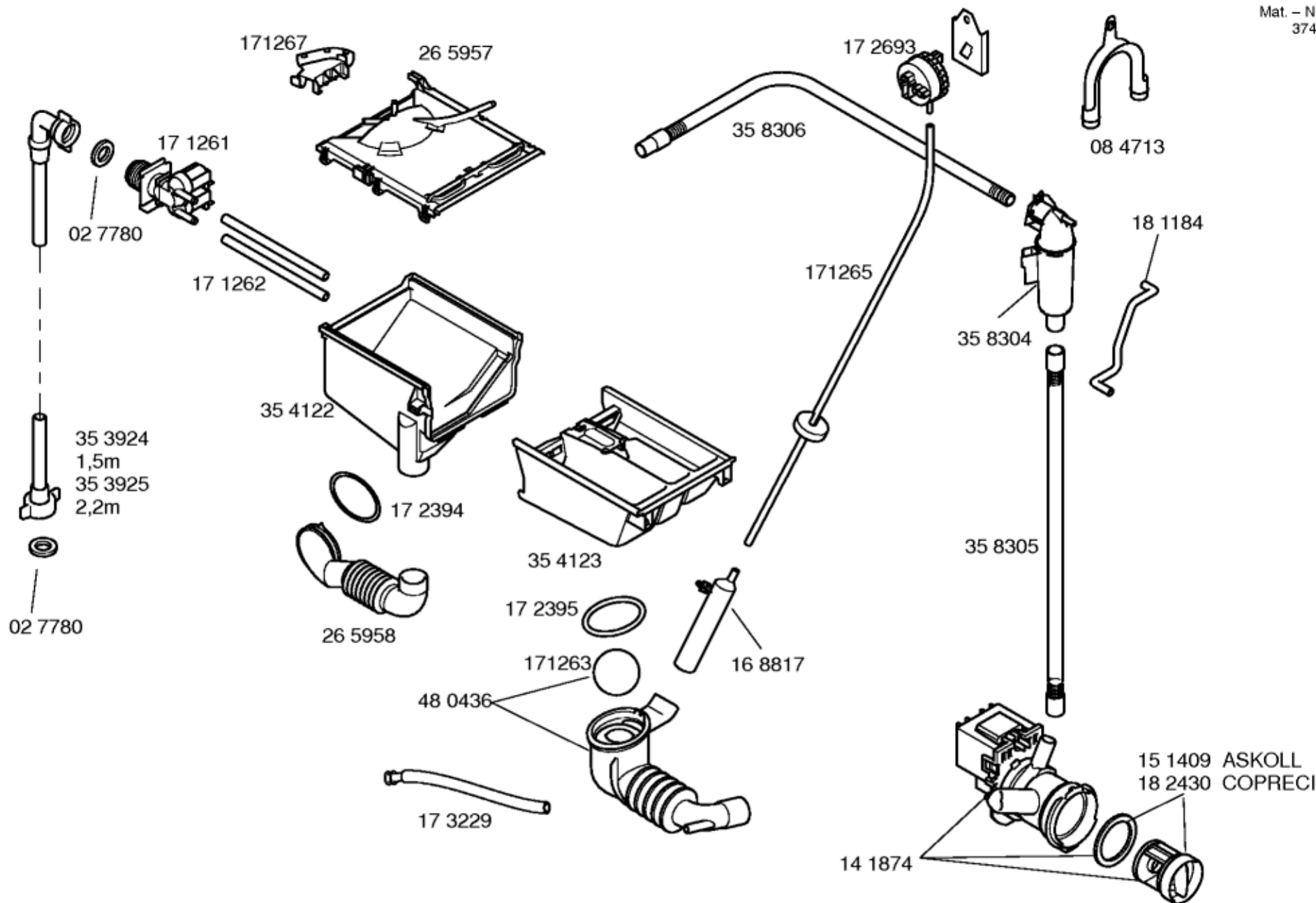
Zubehoer:
Bodenbefestigung
WMZ2200
Verlängerung für
Kalt- und Warmwasser-
anschluß 2,5m
WMZ2380



Mat. - Nr. - Konstante
3740

1) 26 5964

Mat. – Nr. – Konstante
3740



| Position ID | Spare part no. | Replacement | Description |
|--------------------|-----------------------|--------------------|--------------------------------|
| 0104 | 00266722 | 00481580 | Power cord |
| 0106 | 00171254 | 00623842 | Capacitor-interference suppre. |
| 0108 | 00172694 | | Cable harness |
| 0108 | 00172695 | 00423701 | Cable harness |
| 0108 | 00172696 | 00423704 | Cable harness |
| 0110 | 00268118 | 00432218 | Control module |
| 0113 | 00267084 | | Panel-insert |
| 0114 | 00172697 | | Coupling |
| 0116 | 00172699 | | Knob-programme |
| 0118 | 00172698 | | Coupling |
| 0120 | 00172700 | | Knob-RPM |
| 0122 | 00480661 | 00267035 | Tray handle-dispenser |
| 0200 | 00186869 | 00429205 | Transit bolt |
| 0202 | 00186870 | | Transit bolt |
| 0204 | 00182194 | | Lid |
| 0206 | 00095209 | | Holder |
| 0208 | 00362761 | | Case-rear part |
| 0210 | 00236690 | | Housing |
| 0212 | 00067332 | 00621463 | Foot |
| 0214 | 00215904 | | Worktop |
| 0216 | 00173250 | | Holder |
| 0218 | 00358931 | 00435791 | Rail |
| 0220 | 00359757 | 00796389 | Panel-base |
| 0222 | 00265956 | 00796389 | Panel-base |
| 0224 | 00171256 | 00182154 | Electric lock |
| 0226 | 00167587 | 00067083 | Holder |
| 0228 | 00029854 | 00606923 | Holder |

| | | | |
|------|----------|----------|--------------------------|
| 0230 | 00216550 | 00235567 | Front panel |
| 0232 | 00171264 | | Bushing |
| 0234 | 00171269 | | Hinge-window |
| 0236 | 00354126 | 00439671 | fastening ring |
| 0238 | 00354127 | 00715042 | Ring |
| 0240 | 00354128 | 11020392 | Window |
| 0242 | 00354129 | 00366232 | Frame-window |
| 0244 | 00266751 | | Handle |
| 0246 | 00171255 | | Axis |
| 0247 | 00181984 | 00634207 | Latch |
| 0248 | 00080451 | 00493529 | Floor Securing Component |
| 0250 | 00176350 | 00416875 | Auxiliary tool |
| 0252 | 00358931 | 00435791 | Rail |
| 0300 | 00289822 | | Support |
| 0302 | 00171275 | 00606818 | Spring-tank |
| 0304 | 00265963 | | Fixing kit |
| 0306 | 00214720 | | Weight |
| 0308 | 00171270 | | Screw |
| 0310 | 00354130 | 11002942 | Pulley |
| 0312 | 00354131 | 00678914 | Belt-drive |
| 0314 | 00236013 | | Tub |
| 0315 | 00172686 | | Bearing set |
| 0316 | 00265964 | | Sealing |
| 0317 | 00171291 | 00613082 | Shaft seal |
| 0322 | 00215113 | 00773699 | Drum |
| 0324 | 00235501 | 00715100 | Tub |
| 0326 | 00214721 | 00773470 | Weight |
| 0328 | 00265965 | | Band |
| 0330 | 00354135 | | Boot gasket |

| | | | |
|------|----------|----------|---------------------------|
| 0332 | 00354134 | | fastening ring |
| 0334 | 00171273 | | Holder |
| 0336 | 00265961 | | Heating element |
| 0338 | 00170961 | | Sensor-NTC |
| 0340 | 00481932 | 00448032 | Shock absorber |
| 0342 | 00171271 | | Screw |
| 0344 | 00171272 | | Fixture |
| 0346 | 00168798 | | Holder |
| 0348 | 00141875 | 00144797 | Motor |
| 0350 | 00154740 | | Carbon-brush |
| 0350 | 00173028 | | Carbon-brush |
| 0351 | 00266752 | | Cover |
| 0400 | 00353924 | 00700836 | Hose-inlet |
| 0400 | 00353925 | | Hose-inlet |
| 0402 | 00027780 | | Filter-water inlet |
| 0406 | 00171261 | 00428210 | Valve-magnet |
| 0408 | 00171262 | | Hose-valve/soap box |
| 0410 | 00171267 | | Holder |
| 0412 | 00265957 | | Dispenser tray-upper part |
| 0414 | 00354122 | | Dispenser tray-lower part |
| 0416 | 00354123 | | Dispenser tray |
| 0418 | 00265958 | | Hose-fill |
| 0420 | 00480436 | | Eco-hose-sump |
| 0422 | 00171263 | | Ball-sump |
| 0424 | 00168817 | 00424981 | Pressure chamber |
| 0428 | 00171265 | 00491919 | Hose-pressure chamber |
| 0430 | 00172693 | 00600925 | Regulator-water level |
| 0434 | 00358305 | | Hose |
| 0440 | 00141874 | 00145787 | Pump-drain |

| | | | |
|------|----------|----------|------------------|
| 0442 | 00154358 | | Sealing |
| 0442 | 00151408 | | Sealing |
| 0444 | 00172337 | | Pump-housing |
| 0444 | 00172340 | 00145787 | Pump-drain |
| 0446 | 00172338 | | Sealing |
| 0448 | 00172339 | | Filter-fluff |
| 0448 | 00151409 | | Filter-fluff |
| 0450 | 00084713 | 00655300 | Holder |
| 0450 | 00358304 | | Container return |
| 0451 | 00172395 | 00603523 | fastening ring |
| 0452 | 00172394 | 00421488 | fastening ring |
| 0452 | 00358306 | | Outlet hose |
| 0454 | 00181184 | | Hose-vent |
| 0556 | 00173229 | 00608010 | Drain hose |