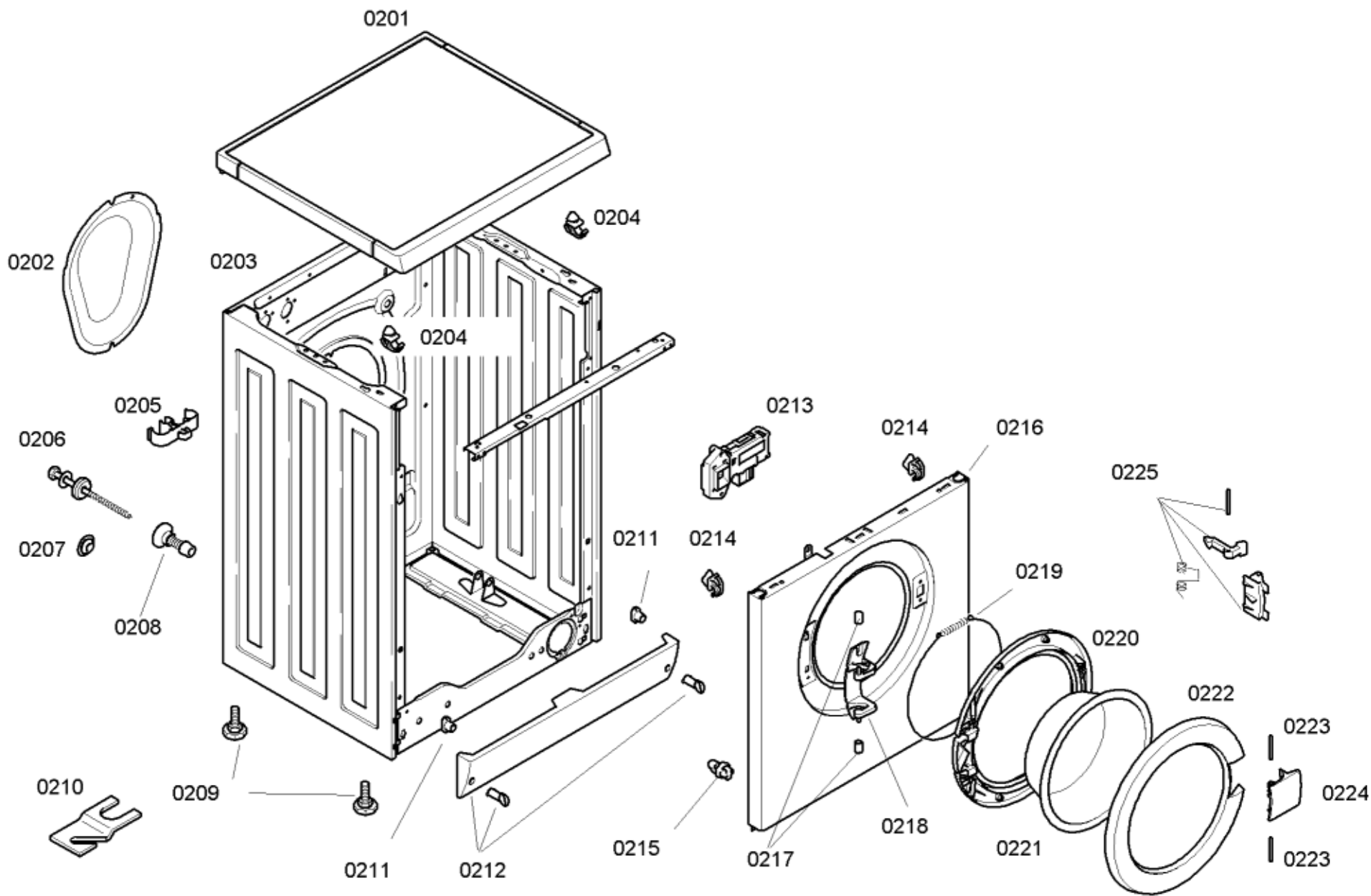


Position ID	Spare part no.	Replacement	Description
0101	00266722	00481580	Power cord
0102	00171254	00623842	Capacitor-interference suppre.
0103	00440882		Control module
0104	00183594		Cable harness
0105	00183595		Cable harness
0106	00418251		Cable harness
0107	00183599		Cable harness
0108	00183602		Cable harness
0109	00418253		Cable harness
0110	00418255		Cable harness
0111	00418254		Cable harness
0113	00173541	00188590	Sealing
0114	00481555	00267678	Tray handle-dispenser
0115	00172697		Coupling
0116	00172699		Knob-programme
8000	00472560		Built-under kit
0112	00442350		Panel-facia
8400	00593187		Instruction manual
8410	00593518		Program table

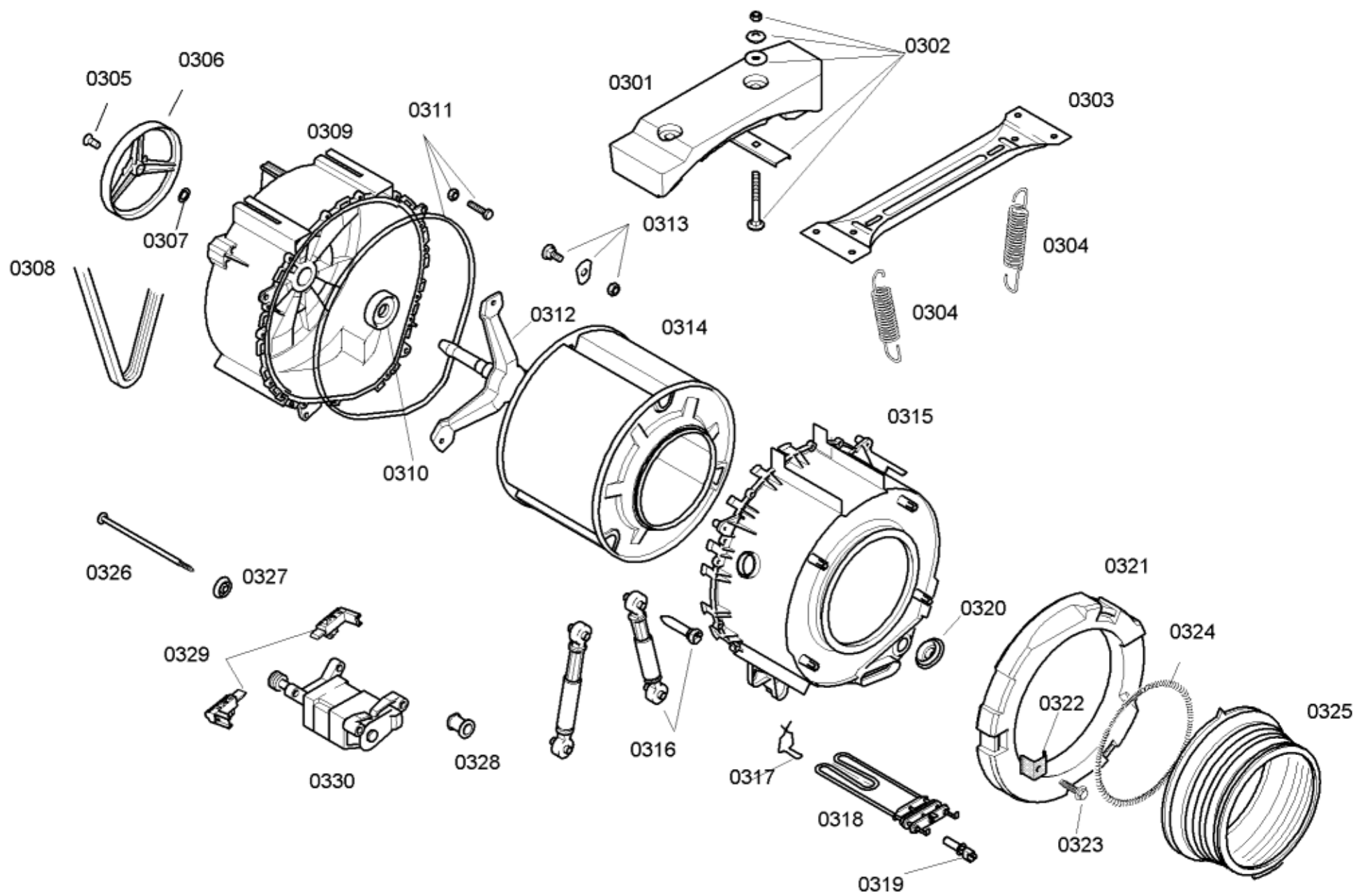


Position ID	Spare part no.	Replacement	Description
0201	00218343		Worktop
0202	00285435		Case-rear part
0203	00235129		Housing
0204	00167581		Holder
0205	00095209		Holder
0206	00168813		Transit bolt
0207	00165362		Cover
0208	00168814	00600388	Distance holder
0209	00067332	00621463	Foot
0210	00080451	00493529	Floor Securing Component
0211	00183606	00606923	Holder
0212	00362252		Panel-base
0213	00423587	00603514	Electric lock
0214	00167587	00067083	Holder
0215	00066788		Holder
0216	00217228		Front panel
0217	00171264		Bushing
0218	00171269		Hinge-window
0219	00354126	00439671	fastening ring
0220	00362253		Frame-window
0221	00354128	11020392	Window
0222	00362257	00665992	Frame-decor
0223	00171255		Axis
0224	00183607		Handle
0225	00183608		Latch
8000	00472560		Built-under kit
8400	00593187		Instruction manual

8410

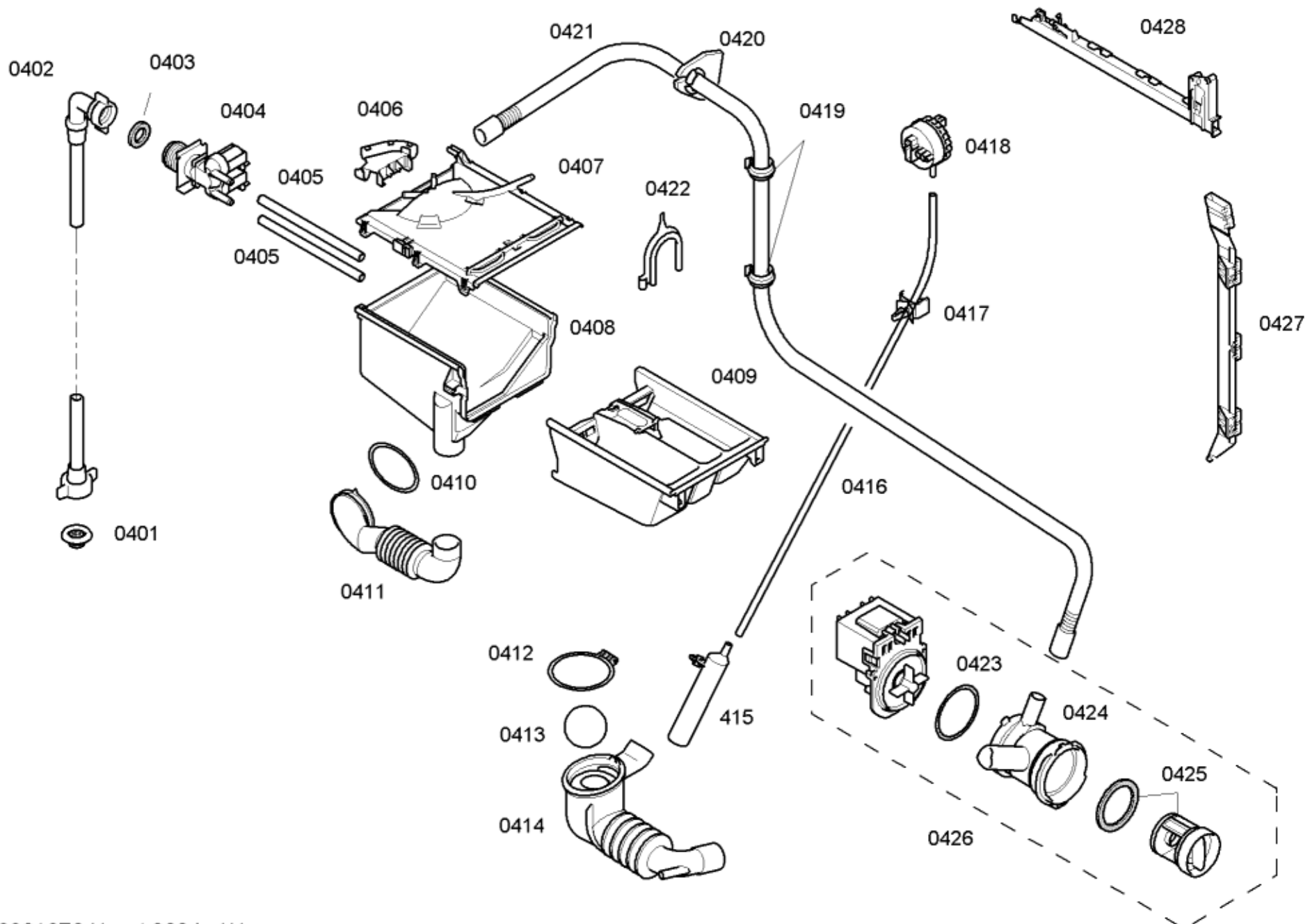
00593518

Program table



Position ID	Spare part no.	Replacement	Description
0301	00214720		Weight
0302	00265963		Fixing kit
0303	00289822		Support
0304	00069605		Spring
0305	00067716		Screw
0306	00494235		Pulley
0307	00425248		Washer
0308	00264987		Belt-drive
0310	00171291	00613082	Shaft seal
0311	00264574		Repair-set
0312	00473434		Drum cross
0313	00059132		Screw-set
0314	00217425		Drum
0315	00217424		Tub
0316	00433761	00448032	Shock absorber
0317	00168794		Fixture
0318	00488731		Heating element
0319	00170961		Sensor-NTC
0320	00036071		Sealing
0321	00217422		Weight
0322	00184285		Holder
0323	00171271		Screw
0324	00354134		fastening ring
0325	00354135		Boot gasket
0326	00264572		Screw
0327	00171272		Fixture
0328	00168798		Holder

0329	00154740		Carbon-brush
0330	00144003		Motor
8000	00472560		Built-under kit
8400	00593187		Instruction manual
8410	00593518		Program table
0309	00473436		Tub



Position ID	Spare part no.	Replacement	Description
0401	00034887	00027780	Filter-water inlet
0402	00460484	00700836	Hose-inlet
0403	00066627		Sealing
0404	00171261	00428210	Valve-magnet
0405	00171262		Hose-valve/soap box
0406	00171267		Holder
0407	00265957		Dispenser tray-upper part
0408	00354122		Dispenser tray-lower part
0409	00354123		Dispenser tray
0410	00172394	00421488	fastening ring
0411	00265958		Hose-fill
0412	00066806	00603523	fastening ring
0413	00171263		Ball-sump
0414	00266059		Eco-hose-sump
0415	00168817	00424981	Pressure chamber
0416	00066613		Hose-pressure chamber
0417	00032582		Holder
0418	00188918	00427040	Regulator-water level
0419	00068337		Holder
0420	00150871		Terminal
0421	00354124		Outlet hose
0422	00092126		Holder
0423	00154358		Sealing
0424	00172337		Pump-housing
0425	00172339		Filter-fluff
0426	00143525		Pump-drain
0427	00362256		Duct

0428	00362255		Duct
8000	00472560		Built-under kit
8400	00593187		Instruction manual
8410	00593518		Program table