

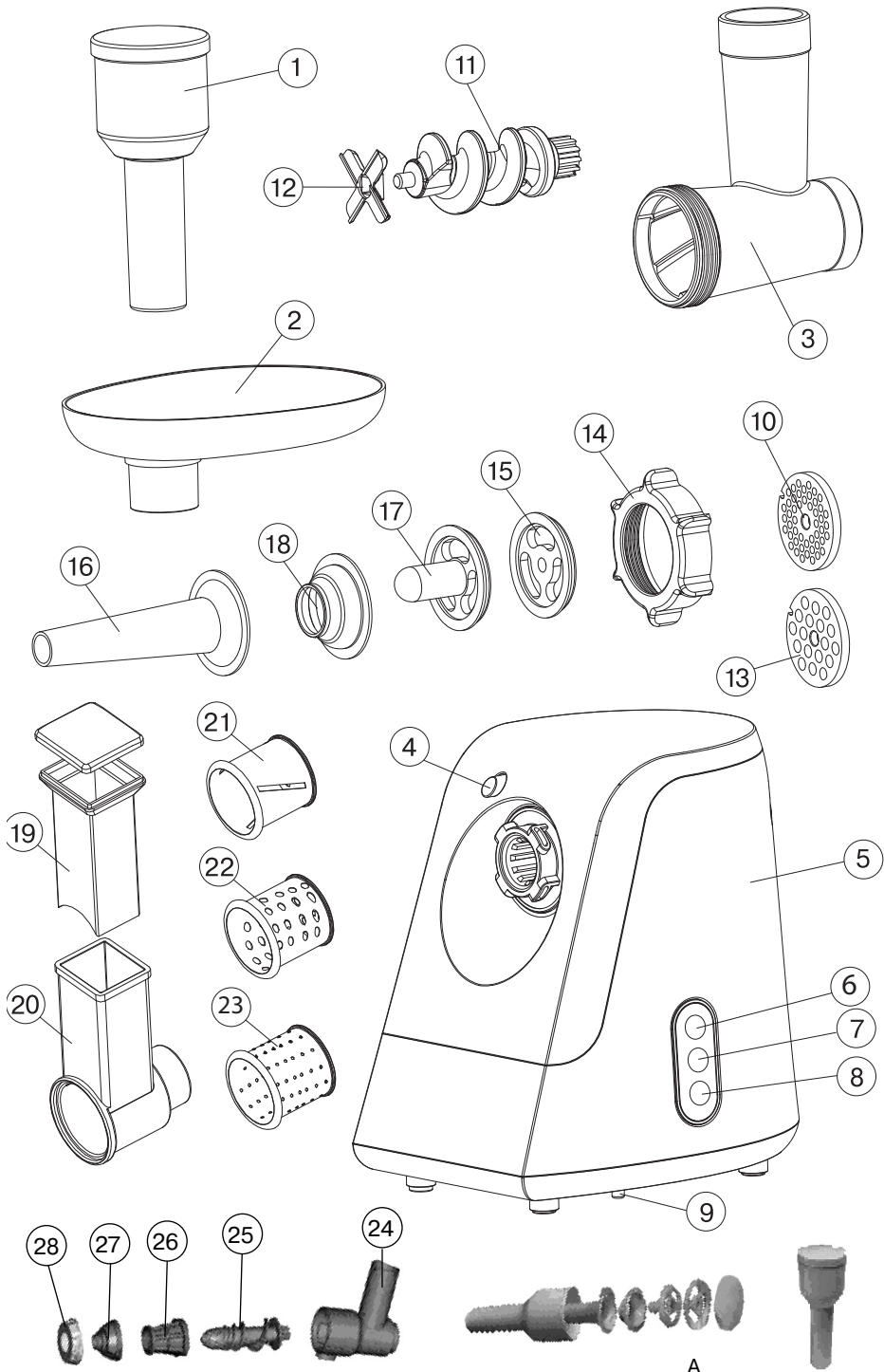
**VT-1677 W**

Meat grinder

Мясорубка

# Инструкция по эксплуатации

<b>GB</b> Manual instruction	3
<b>DE</b> Die betriebsanweisung	8
<b>RUS</b> Инструкция по эксплуатации	15
<b>KZ</b> Пайдалану нұсқасы	21
<b>RO/MD</b> Instrucțiune de exploatare	28
<b>CZ</b> Návod k použití	34
<b>UA</b> Інструкція з експлуатації	40
<b>BEL</b> Інструкція па эксплуатацыі	46
<b>UZ</b> Фойдаланиш қоидалари	52



A

## MEAT GRINDER

### DESCRIPTION

1. Pusher
2. Food tray
3. Mincer head body
4. Mincer head locking button
5. Body
6. Low speed on button
7. Reverse rotation button (REV)
8. On/Off button
9. Auto cut-off on button
10. Medium mincer grate
11. Feeder screw
12. Crossed blade
13. Coarse mincer grate
14. Mincer head nut
15. 16. Sausages attachment
17. 18. Kebbe attachments
19. Vegetable cutter pusher
20. Vegetable cutter body
21. Shredding
22. Large grater
23. Potato mud cutter
24. Juice extractor attachment body
25. Juice extractor feeder screw
26. Cone filter attachment
27. Juice extractor lid
28. Extraction control

### SAFETY RECOMMENDATION

Please read these instructions for safe and efficient use of the appliance. We urge you to read the "Important Safeguards" section and also follow all detailed instructions even if you are familiar with a similar appliance.

Keep this manual handy for future reference.

### IMPORTANT SAFEGUARDS

When using electrical appliances, in order to reduce the risk of fire, electric shock, and/or injury to persons, the following safety precautions should be followed:

- Before using the appliance for the first time, make sure that your home electricity supply corresponds to the voltage specified on the unit.
- Use only the accessories supplied with the unit.

- To protect against the risk of electric shock, DO NOT IMMERSE the appliance, the cord or the plug in water or other liquids.
- Wipe the body with a damp cloth.
- Never leave the operating appliance unattended.
- Close supervision is necessary when any appliance is used near children or disabled persons.
- This unit is not intended for usage by children or disabled persons unless they are given all the necessary instructions on safety measures and information about danger, which can be caused by improper usage of the unit.
- Switch off and remove the plug from the power outlet before assembling, disassembling or cleaning the appliance.
- Do not set the unit on the hot surface or near it (gas or electric stove, heated oven).
- Carefully handle the power cord.
- Never carry the appliance by the cord.
- Do not let the cord hang over the edge of a table, or touch hot surfaces.
- To unplug the unit, take the plug. Do not pull the cord.
- Do not connect or disconnect the cord with wet hands. It can lead to electric shock or an injury.
- Do not use the appliance if the plug or the cord is damaged, if the unit malfunctions, if it fell or has other damages.
- For repair of the appliance or the power cord apply to the authorized service center.
- This product is intended for household use only.

### MEAT GRINDER FEATURES

**Main and additional operating speeds** – the main operation speed is for all ways of meat chopping, additional speed is intended for processing of soft vegetables and stone berries, for instance, tomatoes, red currant, blackberry, blueberry etc. For visual control of speed, each mode has a different lighting of the control buttons: main operation speed is indicated by a blue lighting, additional speed – by a red lighting.

**REVERSE function** - Reverse speed helps in removing blocks while mincing.

**Food tray** - The tray provides convenient placement of products.

# ENGLISH

## Two grates with openings of different size

– the grates are intended for different degrees of mincing.

**Special Attachments** – are for making of sausages and kebbes.

## Tomato and berry juicer

This attachment will allow you to make juice from tomatoes and stone berries.

**Overheating protection system** – is intended to protect the electro motor from overheating and allows prolonging its service life.

### ATTENTION!

- Before connecting the unit to the mains, make sure that the unit is switched off.
- Always ensure that the bones and unwanted fat are removed from the meat before mincing.
- Always use the pusher supplied with the unit. Never use your fingers or other utensils.
- Never immerse the body of the unit into water or any other liquids.
- When using the Kebbe attachments (17, 18) and the sausages attachments (15, 16) do not put the grates (10, 13) and the blade (12).
- Do not try to mince material with hard fiber (for instance, ginger or horseradish).
- To avoid blockages, avoid using excessive force while pushing the meat.
- If the unit gets blocked due to hard materials lodged on to the feeder screw or cutting blade, immediately switch off the unit and remove the ingredient before starting again.
- When switching to the Reverse function, switch off the unit by pressing the button (8), wait for about 5-6 seconds and then press the REV (7) button.

### PREPARATION OF THE MEAT MINCER

- Before first use, please remove all packaging material from the unit and wipe the body with a damp cloth.
- Wash all removable parts in warm water with a neutral detergent, rinse and dry thoroughly.

### OPERATION WITH THE UNIT

(general provisions)

- The meat mincer is intended to mince boneless meat (for household usage only).
- Before using the appliance for the first time, make sure that your home electricity supply

corresponds to the voltage specified on the unit.

- Assemble the unit and place it on a flat dry surface.
- Please ensure that the ventilation openings on the body are not blocked.
- Insert the plug into the socket.
- Place a corresponding bowl under the mincer head (3).
- Make sure that the meat is thawed, remove bones and unwanted fat, cut the meat into small cubes to fit the food tray. (2).
- Switch on the unit by pressing the button (8).
- Slowly feed the meat pieces into the food funnel (3) with the food pusher (1).
- Use only the pusher (1), supplied with the unit.
- Do not use foreign objects to push meat. Never use your fingers to push meat.
- Do not apply excessive force when pushing meat or other products.
- There are chances that the meat will get stuck in the feeder screw during operation. In these cases, use the reverse speed to release the jam. Switch off the mincer by pressing the (8) button, wait until the motor stops completely and press the REV button (7), wait 5-6 seconds and return to the normal operating mode.
- Do not run the appliance for more than 5 minutes continuously.
- After 5 minutes of continuous use, allow the appliance to cool down before further use.
- After you finish operating the unit, switch off the unit by pressing the button (7) unplug it, and then start disassembling.

### MEAT MINCING

1. Insert the feeder screw (11) into the mincer head (3), set the crossed blade (11), select the required grate (10, 13) and set it above the blade by matching the groove on the grate with the clamp on the mincer head, tighten the screw (14).

### Attention!

- **The blade will not perform the mincing function if it is mounted with the wrong side facing the screw.**
- **When assembling the unit, do not tighten the nut strongly (14); tighten it complete-**

- ly after setting the head on the mincer.*
- **Course (13) and middle (10) grates suit for processing raw meat, fish as well as for processing ready products, vegetables, dried fruit, cheese etc.**

2. Set the mincer head (3) into the body jack (5) turn it anti clockwise till the clamp (see the picture of the mincer appearance).
3. Completely tighten the nut (14).
4. Set the food tray (2) on the head (3).
5. Insert the plug into the socket.
6. Switch on the mincer using the button (8).
7. Use only the pusher (1) during operating the unit.

#### Note

- **For better meat processing slice it in strips or cubes, defrost frozen meat.**
  - **During operating the unit use only the pusher, supplied with the unit, do not use foreign objects to push the meat; do not push it with your hands.**
8. After you stop the operation, switch off the unit, by pressing the (8) button and unplug it, after it you can disassemble it.
  9. Press the clamp button (4) on the body (5) to remove the mincer head, turn the head (3) clockwise and remove it (see the picture of the mincer appearance).
  10. To disassemble the mincer head unscrew the nut (14) and take out the grate (10 or 13), the blade (12) and feeder screw (11) from the mincer head.

#### Attention!

- **There are chances that the meat will get stuck in the feeder screw during operation. In these cases, use the reverse speed to release the jam. Switch off the mincer with the (8) button, wait until the motor stops completely and press the REV button (7), wait 5-6 seconds and return to the normal operating mode.**
- **If during operation the feeder screw (11) and the blade (12) stop rotating:**
  - **switch off the mincer by pressing the off button (8) and unplug it.**
  - **let the motor cool down during 20-30 minutes.**

- **check the auto cut-off condition by pressing on button (9)**
- **switch on the mincer again.**

#### MAKING SAUSAGES

1. Prepare minced meat.
2. Insert the feeder screw (11) into the mincer head body (3), set the sausage attachments (15, 16) on the feeder screw, provide that the groove on the attachment (15) matches the edge on the mincer head (3), and slightly tighten the nut (14).
3. Set the mincer head into the body (5) by turning it anticlockwise till clamping (see the picture of the mincer appearance), screw the nut completely (14).
4. Set the food tray (2).
5. Place the minced meat on the food tray (2).
6. Use natural cover for sausages, putting it firstly into a bowl with warm water for 10 minutes.
7. Thread softened cover on the attachment (16) and knot on the tip.
8. Insert the plug into the socket.
9. Switch on the mincer by using the button (8).
10. Use the pusher to pull down the minced meat (1), according to the cover filling move it away from the attachment (16), as the cover dries, wet it.
11. After you stop the operation, switch off the unit by pressing the (8) button and unplug it, after it you can disassemble it.
12. To remove the mincer head press the clamp button (4) on the body (5), turn the head clockwise (see the picture of the mincer appearance) and remove it.
13. Unscrew the nut (14), and disassemble the mincer head.

#### “KEBBE” ATTACHMENTS

Kebbe is a traditional Middle East dish cooked from the lamb meat, wheat flour and spices which are cut together to get a base for cooking of rolls. Rolls are filled and fried deep. You can make different desserts with the help of this attachment.

1. Prepare the base for the cover.
2. Insert the feeder screw (11) into the mincer head body (3), set the Kebbe attachments

# ENGLISH

- (17, 18) on the feeder screw (11), provide that the groove on the attachment (17) matches the edge on the mincer head, and slightly tighten the nut (14).
3. Set the mincer head into the body jack (5), by turning it anticlockwise till clamping (see the picture of the mincer appearance), screw the nut completely (14).
  4. Set the food tray (2).
  5. Place the base on the food tray (2).
  6. Insert the plug into the socket.
  7. Switch on the mincer by using the button (8).
  8. Use the pusher (1) to pull down the products.
  9. Cut the rolls of the required length.
  10. After you finish the operation, switch off the unit using the (8) button and unplug it, and only after it, start to disassemble it.
  11. To remove the mincer head press the clamp button (4) on the body (5), turn the head (3) clockwise (see the picture of the mincer appearance) and remove it.
  12. Unscrew the nut (14), and disassemble the mincer head.

## RECIPE

### (Filling)

Mutton	100 g
Olive oil	1, 1/2 table spoon
Onion (minced)	1, 1/2 table spoon
Spice	To taste
Salt	1/4 tea spoon
Flour	1, 1/2 table spoon

- Mince mutton once or twice.
- Fry onion in oil till it gets brown, and then add minced mutton, spice, salt and flour.

### (Cover)

Lean meat	450 g
Flour	150-200 g
Spice	To taste
Nutmeg	1pc
Red ground pepper	To taste
Pepper	To taste

- Mince meat thrice, mince nutmeg, and mix the components.
- More meat and less flour in a cover provide better consistency and taste.
- Fill the rolls, clamp at edges and shape as you wish.
- Fry the rolls deep.

### Note:

**The sausages attachments (15, 16) and the "kebbe" attachments (17, 18) can be stored in the pusher (1) after usage (pic. A).**

## VEGETABLE CUTTER

- Put the grater (22), the shredding (21) or the potato flapjacks attachment (23) into the body of the vegetable cutter (20).
- Set the body of the vegetable cutter (20), by turning it anti clockwise until clamping (see the picture of the mincer appearance).
- Insert the plug into the socket.
- Switch on the unit by pressing the (8) button.
- During the operation use only the pusher (19) supplied with the unit; do not use foreign objects to push meat. Never use your fingers to push vegetables.
- To remove the attachment of the vegetable cutter (20) press the (4) button on the body (5), turn it clockwise (see the picture of the mincer appearance) and remove it.
- To process soft vegetables, for instance tomatoes, use low speed of the shredder rotation, to do it press the low speed operation button (6), the buttons lighting will change from the blue one to the red one.
- After operation switch off the low speed of the shredder rotation, by pressing the button (6) again, and then switch off the unit by pressing the (8) button, and take the plug out of the socket.

## TOMATO AND BERRY JUICER

- Put the cone filter attachment (26) on the plastic feeder screw (25) and then put them into the body of the juice extractor (24).
- Close the body with the lid (27), by matching the ledges with the grooves on the body (24) and turn it clockwise to the "CLOSE" position until locking.
- Set the extraction control (28) on the juice extractor lid (27) by matching the mark on the

control with "0" and slightly pressing, turn it anticlockwise.

- Put the attachment body (24) into the body jack (5), turn it anti clockwise until complete locking (see the picture of the mincer appearance).
- Put the food tray (2).
- Insert the plug into the socket.
- Switch on the unit by pressing the (8) button.
- Switch on the low speed operation button (6), the buttons lighting will change from the blue one to the red one, indicating that the low speed operation mode is on.
- Use only the pusher (1), supplied with the unit. Do not use foreign objects to push tomatoes and berries. Never use your fingers to push them.
- Extraction control (28) has 3 operating positions. There are the corresponding symbols on the lid (27). To adjust extraction degree, depending on type of vegetables and fruit, the control changes the position of the cone attachment in accordance with the symbols "1" "2" "3", pressing it to the feeder screw.

## CARE

- After use, switch off the mincer by pressing the (8) button and disconnect the cord from the power supply.
- Press the clamp (4), rotate the mincer head clockwise and remove it (see the picture of the mincer appearance).
- Unscrew the nut (14), remove the accessories (15, 16 or 17, 18), the grates (10 or 13) or the blade (12) from the feeder screw (11).
- Take the feeder screw (11) out of the head (3).
- Remove remains of the products from the feeder screw.
- The accessories (1, 2, 15, 16, 17, 18, 19, 25, 26, 27, 28) can be washed in a dish wash machine (pic. A).
- For convenient and compact storage the attachments (15,16, 17, 18) can be stored inside the pusher (1).
- Wipe the mincer body (5) with a damp cloth.

- To wash the extraction attachment press the clamp button (4), on the body (5), turn it clockwise (see the picture of the mincer appearance) and remove it.
- Turn the lid (27) clockwise and set it to the "OPEN" position, remove the cone filter attachment (26) and the plastic feeder screw (25).
- Turn the extraction control (28) clockwise, setting it to the "0" position and remove it.
- Remove remains of the products from the feeder screw.
- Wash all removable parts in warm sudsy water with a neutral detergent, rinse and dry thoroughly.
- Do not use solvents and abrasives to clean the body (5).
- Provide the liquid does not get into the body.
- Before you take the accessories away for keeping, oil the attachments (10, 13) and the blade (12) with plant oil. This way they will be protected from oxidation.

## SPECIFICATIONS

Power supply: 220-240 V ~50/60 Hz

Maximal power: 1500 W

*The manufacturer preserves the right to change the design and the specifications of the unit without a preliminary notification.*

**Life time of the unit is - 5 years**

## GUARANTEE

Details regarding guarantee conditions can be obtained from the dealer from whom the appliance was purchased. The bill of sale or receipt must be produced when making any claim under the terms of this guarantee.



*This product conforms to the EMC-Requirements as laid down by the Council Directive 89/336/EEC and to the Low Voltage Regulation (73/23 EEC)*

# DEUTSCH

## FLEISCHWOLF

### BESCHREIBUNG

1. Stampfer
2. Schale für Nahrungsmittel
3. Gehäuse des Fleischwolfhalses
4. Halsverriegelungstaste
5. Gehäuse
6. Taste der niedrigen Geschwindigkeit
7. Taste der Rücklauffunktion (REV)
8. Ein-/Ausschalttaste
9. Einschalttaste der automatischen Schutzvorrichtung
10. Lochscheibe für Mittelzerkleinerung
11. Schnecke
12. Kreuzmesser
13. Lochscheibe für Grobzerkleinerung
14. Halsmutter des Fleischwolfes
15. 16. Würstchenaufsätze
17. 18. Kebbeaufsätze
19. Stampfer des Gemüsezerkleinerers
20. Gehäuse des Aufsatzes für Gemüsezerkleinerer
21. Raspelaufsatz
22. Grobes Reibeisen
23. Aufsatz für Kartoffelpufferzubereitung
24. Gehäuse des Entsaftungsaufsatzes
25. Schnecke des Entsafters
26. Kegelfilteraufsatz
27. Deckel des Entsafters
28. Presssregler

### EMPFEHLUNGEN FÜR

#### SICHERHEITSMABNAHMEN

Um das Gerät richtig und sicher zu nutzen, lesen Sie aufmerksam diese Bedienungsanleitung durch. Wenn Sie mit der Nutzung ähnlicher Geräte bekannt gemacht sind, lesen Sie trotzdem den Abschnitt „Sicherheitsmaßnahmen“ und befolgen Sie alle Sicherheitsvorschriften. Bewahren Sie die Bedienungsanleitung für die weitere Nutzung an einem zugänglichen Ort sorgfältig auf.

#### SICHERHEITSMABNAHMEN

Um Brände, Stromschläge oder andere Verletzungen zu vermeiden, befolgen Sie beim Gebrauch des elektrischen Zerkleinerers folgende Sicherheitsmaßnahmen:

- Vergewissern Sie sich vor der ersten Inbetriebnahme, dass die Spannung des Geräts mit der Netzspannung übereinstimmt.
- Nutzen Sie nur jenes Zubehör, das zum Lieferumfang gehört.
- TAUCHEN Sie NIE das Gerät, das Netzkabel und den Netzstecker ins Wasser oder andere Flüssigkeiten, um das Stromschlagrisiko zu vermeiden.
- Reinigen Sie das Gehäuse des Geräts mit einem feuchten Tuch.
- Lassen Sie das Gerät nie unbeaufsichtigt.
- Besondere Vorsichtsmaßnahmen sind in den Fällen angesagt, wenn sich Kinder oder behinderte Personen während der Nutzung des Geräts in der Nähe aufhalten.
- Der Fleischwolf darf von Kindern und behinderten Personen nicht genutzt werden, es sei denn ihnen eine angemessene und verständliche Anweisung über die sichere Nutzung des Geräts und die Gefahren seiner falschen Nutzung durch die Person, die für ihre Sicherheit verantwortlich ist.
- Schalten Sie das Gerät vor der Montage, dem Abbau, sowie vor der Reinigung aus und ziehen Sie danach den Netzstecker aus der Steckdose.
- Es ist nicht gestattet, das Gerät auf heiße Oberflächen oder neben ähnlichen Flächen (Gas oder elektrischer Herd, aufgeheizter Backofen) aufzustellen.
- Gehen Sie mit dem Netzkabel vorsichtig um.
- Es ist nicht gestattet, das Netzkabel zum Transportieren des Geräts zu nutzen.
- Achten Sie darauf, dass das Netzkabel vom Tisch nicht frei hängt und heiße Gegenstände nicht berührt.
- Es ist nicht gestattet, das Gerät beim Abschalten vom Stromnetz am Netzkabel zu ziehen, halten Sie ihn am Stecker.
- Es ist nicht gestattet, das Netzkabel mit nassen Händen anzuschließen und abzuschalten, es kann zu einem Stromschlag führen.
- Es ist nicht gestattet, das Gerät zu nutzen, wenn das Netzkabel oder der Netzstecker beschädigt ist, sowie beim Herunterfallen, nicht ordnungsgemäßen Betrieb oder beliebigen Störungen.
- Bitte wenden Sie sich an einen autorisierten Kundenservicedienst, um das Gerät zu reparieren oder das Netzkabel umzutauschen.



- Das Gerät ist für den Gebrauch im Haushalt geeignet.

## BESONDERHEITEN DES FLEISCHWOLFES

### Haupt- und Zusatzgeschwindigkeit:

die Hauptgeschwindigkeit wird für die Zerkleinerung aller Fleischarten verwendet, die Zusatzgeschwindigkeit ist für die Verarbeitung von weichem Gemüse und Kernbeeren, wie z.B. Tomaten, rote Johannisbeeren, Brombeeren, Blaubeeren usw. geeignet. Für die visuelle Kontrolle der Geschwindigkeit hat jede Betriebsstufe unterschiedliche Beleuchtung der Steuerungstasten: Die Hauptgeschwindigkeit wird durch die blaue Beleuchtung und die Zusatzgeschwindigkeit durch die rote Beleuchtung gekennzeichnet.

**Rücklauffunktion (REVERSE)** – diese Funktion ist für die Entfernung von Verstampfungen bestimmt, die während der Bearbeitung von Nahrungsmitteln entstehen.

**Schale für Nahrungsmittel** - gewährleistet eine bequeme Lage der Nahrungsmittel während ihrer Bearbeitung und erleichtert die Ladung von Nahrungsmitteln in den Kopfhals.

**Zwei Lochscheiben in verschiedenen Lochgrößen** sind für verschiedene Zerkleinerungsstufen der Nahrungsmittel bestimmt.

**Spezielles Zubehör** - Würstchen- und Kebbeaufsätze.

### Pressaufsatz für die Zubereitung von Gemüse- und Beersaft

Ermöglicht die Zubereitung von Säften aus weichem Gemüse und Kernbeeren.

Das Überhitzungsschutzsystem schützt den Elektromotor des Fleischwolfes vor der Überhitzung und verlängert seine Nutzungsdauer.

### ACHTUNG!

- Vergewissern Sie sich vor dem Anschließen des Geräts ans Stromnetz, dass das Gerät ausgeschaltet ist.
- Vergewissern Sie sich vor der Zerkleinerung von Fleisch, dass alle Knochen und Fettreste entfernt sind.
- Nutzen Sie den Stampfer, der zum Lieferumfang gehört. Es ist nicht gestattet, die Nahrungsmittel mit anderen Gegenständen oder Fingern durchzustößeln.

- Tauchen Sie nie das Gehäuse des Geräts ins Wasser oder andere Flüssigkeiten.
- Es ist nicht gestattet, die Lochscheiben (10, 13) und das Kreuzmesser (12) während der Nutzung von Kebbe- (17, 18) und Würstchenaufsätzen (15, 16) zu nutzen.
- Es ist nicht gestattet, harte Nahrungsmittel (z.B. Ingwer oder Meerrettich) mit dem Fleischwolf zu bearbeiten.
- Um Verstampfungen zu vermeiden, verwenden Sie beim Durchstoßen des Fleisches keine übermäßige Kraft.
- Falls ein stecken gebliebenes hartes Bissen der Nahrungsmittel zur Unterbrechung der Schnecke und des Kreuzmessers führte, schalten Sie sofort das Gerät aus und entfernen Sie es, bevor Sie die Nutzung des Gerätes fortsetzen.
- Bei der Umschaltung auf den Rücklaufbetrieb (REVERSE) schalten Sie den Fleischwolf aus, drücken Sie dafür die Taste (8) und drücken Sie die Taste (7) (REV) nach der Pause von 5-6 Sekunden.

## VORBEREITUNG DES FLEISCHWOLFES

- Nehmen Sie das Gerät aus der Verpackung heraus und entfernen Sie das ganze Verpackungsmaterial, wischen Sie das Gehäuse des Fleischwolfes mit einem feuchten Tuch ab.
- Waschen Sie alle abnehmbaren Teile des Fleischwolfes unter dem warmen Wasser mit einem neutralen Waschmittel, spülen und trocknen Sie diesen sorgfältig ab.

## NUTZUNG DES FLEISCHWOLFES

(Allgemeine Bestimmungen)

- Das Gerät ist für die Bearbeitung des Fleisches ohne Knochen und nur für den Haushalt geeignet.
- Vergewissern Sie sich vor der ersten Inbetriebnahme, dass die Spannung des Geräts mit der Netzspannung übereinstimmt.
- Bauen Sie das Gerät zusammen und stellen Sie es auf eine gerade und trockene Oberfläche auf.
- Vergewissern Sie sich, dass die Lüftaustrittsöffnungen am Gehäuse nicht blockiert sind.

# DEUTSCH

- Stecken Sie den Stecker des Netzkabels in die Steckdose.
- Stellen Sie unter den Hals des Fleischwolfes (3) geeignetes Geschirr.
- Vergewissern Sie sich, dass Fleisch komplett aufgetaut ist, entfernen Sie übriges Fett, schneiden Sie Fleisch in passende Stücke oder Streifen, die in die Öffnung des Trichters (2) durchgehen.
- Schalten Sie das Gerät mit der Taste (8) ein.
- Stoßen Sie langsam Fleisch in den Trichter des Halses des Fleischwolfes (3) mit einem Stampfer (1) durch.
- Nutzen Sie während des Betriebs den Stampfer (1), der zum Lieferumfang gehört.
- Es ist nicht gestattet, Fleisch mit anderen Gegenständen oder Fingern durchzustößen.
- Wenden Sie keine Kraft an, um Fleisch und andere Nahrungsmittel durchzustößen.
- Es kann sich eine Verstopfung während des Betriebs des Fleischwolfes bilden. Um die entstandene Verstopfung zu beseitigen, nutzen Sie die Rücklauffunktion (REV). Schalten Sie dafür den Fleischwolf aus, drücken Sie dabei dafür die Taste (8) und warten Sie ab, bis der Motor komplett stoppt, danach drücken Sie die Taste (REV) (7), schalten Sie den Fleischwolf in 5-6 Sekunden in den normalen Betrieb zurück.
- Der dauernde Betrieb des Geräts soll 5 Minuten nicht übersteigen.
- Schalten Sie das Gerät nach 5 Minuten des dauernden Betriebs aus, lassen Sie es bis zur Raumtemperatur abkühlen, danach kann der Betrieb fortgesetzt werden.
- Nach der Beendigung der Arbeit schalten Sie den Fleischwolf aus, drücken Sie dabei die Taste (7) und schalten Sie ihn vom Stromnetz ab, und danach beginnen Sie mit dem Abbau des Geräts.

## FLEISCHZERKLEINERUNG

1. Setzen Sie die Schnecke (11) ins Halsgehäuse (3) auf, setzen Sie das Kreuzmesser (11), wählen Sie die notwendige Lochscheibe (10, 13) und setzen Sie diese über das Kreuzmesser, so dass die Vorsprünge der Lochscheibe mit den Aussparungen auf dem Halsgehäuse (3) des Fleischwolfes zusammenfallen, und schrauben Sie die Halsmutter (13) fest.

### **Achtung!**

- **Falls das Kreuzmesser falsch aufgesetzt wird (mit der Schneidseite in Richtung der Schnecke), wird es keine Zerkleinerungsfunktion erfüllen.**
- **Schrauben Sie während des Aufbaus des Fleischwolfhalses die Halsmutter (14) nicht fest, sie wird nach der Aufsetzung des zusammengebauten Halses (14) auf den Fleischwolf vollständig festgeschraubt.**
- **Die Lochscheiben für größere (13) und mittlere (10) Lochscheiben sind für die Bearbeitung von Rohfleisch, Gemüse, Trockenobst, Käse, Fisch usw. geeignet.**

2. Setzen Sie den zusammengebauten Hals des Fleischwolfes (3) in die Aufnahmestelle des Gehäuses (5) auf, drehen Sie ihn gegen den Uhrzeigersinn bis zum vollständigen Einrasten (Siehe die Abbildung der Gesamtansicht des Fleischwolfes).
3. Schrauben Sie die Halsmutter (14) vollständig fest.
4. Setzen Sie die Schale für Nahrungsmittel (2) auf den Trichter des Fleischwolfhalses (3) auf.
5. Stecken Sie den Netzstecker in die Steckdose.
6. Schalten Sie den Fleischwolf mit der Taste (8) ein.
7. Nutzen Sie während des Betriebs nur den Stampfer (1).

### **Anmerkung**

- **Um Fleisch besser zu bearbeiten, schneiden Sie es in Stücke oder Streifen. Eingefrorenes Fleisch soll komplett aufgetaut werden.**
- **Nutzen Sie während des Betriebs nur den Stampfer (1), der zum Lieferumfang gehört; es ist nicht gestattet, Fleisch mit anderen Gegenständen oder Fingern durchzustößen.**

8. Nach der Beendigung der Arbeit schalten Sie den Fleischwolf aus, drücken Sie dabei die Taste (8) und schalten Sie ihn vom Stromnetz ab, und danach beginnen Sie mit dem Abbau des Geräts.

9. Um den Hals des Fleischwolfes abzunehmen, drücken Sie die Halsverschlussaste (4), die sich am Gehäuse (5) befindet, drehen Sie den Fleischwolfhals (3) im Uhrzeigersinn (Siehe die Abbildung der Gesamtansicht des Fleischwolfes) und nehmen Sie ihn ab.
10. Um den Hals abzubauen, drehen Sie die Halsmutter (14) ab und ziehen Sie die aufgesetzte Lochscheibe (10 oder 14), das Kreuzmesser (14) und die Schnecke (14) aus dem Gehäuse des Fleischwolfhalses heraus.

### **Achtung!**

- **Falls eine Verstopfung während der Zerkleinerung entstand, nutzen Sie die Reversfunktion; schalten Sie dafür den Fleischwolf aus, drücken Sie dafür die Taste (8) und warten Sie ab, bis der Motor komplett stoppt, danach drücken Sie die Taste (REV) (7), schalten Sie den Fleischwolf in 5-6 Sekunden in den normalen Betrieb zurück.**
- **Wenn das Drehen der Schnecke (11) und des Kreuzmessers (12) während des Betriebs plötzlich unterbrochen wurde:**
  - **Schalten Sie den Fleischwolf aus, drücken Sie dabei die Taste (8), und ziehen Sie den Stecker aus der Steckdose heraus.**
  - **Lassen Sie das Elektromotor ca. 20-30 Minuten abkühlen;**
  - **prüfen Sie den Stand der automatischen Wärmeschutzvorrichtung, drücken Sie dabei die Taste (9);**
  - **Schalten Sie den Fleischwolf erneut ein.**

### **AUFFÜLLEN VON WÜSTCHEN**

1. Bereiten Sie Brät vor.
2. Stecken Sie die Schnecke (11) ins Gehäuse des Fleischwolfhalses(3) ein, setzen Sie den Würstchenaufsatz (15, 16) auf die Schnecke auf; achten Sie darauf, dass der Vorsprung auf dem Aufsatz (15) mit den Aussparungen auf dem Gehäuse des Fleischwolfhalses (3) zusammenfällt, und schrauben Sie die Halsmutter (14) leicht fest.
3. Setzen Sie den zusammengebauten Hals des Fleischwolfes in die Aufnahme des Gehäuses (5) auf, drehen Sie ihn gegen den Uhrzeigersinn bis zum vollständigen Einrasten

(Siehe die Abbildung der Gesamtansicht des Fleischwolfes), schrauben Sie die Halsmutter (14) vollständig fest.

4. Setzen Sie die Schale für Nahrungsmittel (2) auf.
5. Legen Sie das fertige Brät auf die Schale für Nahrungsmittel (2).
6. Nutzen Sie Naturhülle für die Zubereitung von Würstchen, legen Sie diese vorher in den Behälter mit dem warmen Wasser für 10 Minuten.
7. Ziehen Sie die weiche Hülle auf den Aufsatz (16) an und binden Sie einen Knoten am Rand der Hülle.
8. Stecken Sie den Netzstecker in die Steckdose.
9. Schalten Sie den Fleischwolf mit der Taste (8) ein.
10. Für die Zufuhr des fertigen Bräts nutzen Sie den Stampfer (1), ziehen Sie die Hülle während der Auffüllung vom Aufsatz (16) langsam ab, feuchten Sie die Hülle beim Trocknen mit Wasser an.
11. Nach der Beendigung der Arbeit schalten Sie den Fleischwolf aus, drücken Sie dabei die Taste (8) und schalten Sie ihn vom Stromnetz ab, und danach beginnen Sie mit dem Abbau des Geräts.
12. Um den Hals des Fleischwolfes abzunehmen, drücken Sie die Halsverschlussaste (4), die sich am Gehäuse (5) befindet, drehen Sie den Fleischwolfhals im Uhrzeigersinn (Siehe die Abbildung der Gesamtansicht des Fleischwolfes) und nehmen Sie ihn ab.
13. Drehen Sie die Halsmutter (14) ab und bauen Sie den Fleischwolfhals ab.

### **NUTZUNG DES KEBBEAUFSATZES**

„Kebbe“ ist ein traditionelles orientalisches Gericht, das aus Lammfleisch, Weizenmehl und Gewürzen zubereitet wird, die zusammen gehackt werden, um die Grundlage für die Herstellung von Hohlröhrchen zu bilden. Die Hohlröhrchen werden gefüllt und frittiert.

Bei der Experimentierung mit der Füllung können verschiedene Delikatessen zubereitet werden.

1. Bereiten Sie die Grundlage für die Hülle vor.
2. Stecken Sie die Schnecke (11) ins Gehäuse des Fleischwolfhalses(3) ein, setzen Sie den Kebbeaufsatz (17) auf die Schnecke (11) auf;

# DEUTSCH

achten Sie darauf, dass die Vorsprünge auf dem Aufsatz (17) mit den Aussparungen auf dem Gehäuse des Fleischwolfhalses zusammenfallen, und schrauben Sie die Halsmutter (14) leicht fest.

3. Setzen Sie den zusammengebauten Hals des Fleischwolfes in die Aufnahme des Gehäuses (5) auf, drehen Sie ihn gegen den Uhrzeigersinn bis zum vollständigen Einrasten (Siehe die Abbildung der Gesamtansicht des Fleischwolfes), schrauben Sie die Halsmutter (14) vollständig fest.
4. Setzen Sie die Schale für Nahrungsmittel (2) auf.
5. Legen Sie die fertige Grundlage für die Hülle auf die Schale (2).
6. Stecken Sie den Netzstecker in die Steckdose.
7. Schalten Sie den Fleischwolf mit der Taste (8) ein.
8. Für die Zufuhr der Grundlage nutzen Sie den Stampfer (1).
9. Schneiden Sie fertige Röhrrchen mit der notwendigen Länge ab.
10. Nach der Beendigung der Arbeit schalten Sie den Fleischwolf aus, drücken Sie dabei die Taste (8) und schalten Sie ihn vom Stromnetz ab, und danach beginnen Sie mit dem Abbau des Geräts.
11. Um den Hals des Fleischwolfes abzunehmen, drücken Sie die Halsverschluss Taste (4), die sich am Gehäuse (5) befindet, drehen Sie den Fleischwolfhals (3) im Uhrzeigersinn (Siehe die Abbildung der Gesamtansicht des Fleischwolfes) und nehmen Sie ihn ab.
12. Drehen Sie die Halsmutter (14) ab und bauen Sie den Fleischwolfhals ab.

## REZEPT

### (Füllung)

Hammelfleisch	100 g
Olivenöl	1, 1/2 Esslöffel
Schalottenzwiebel (klein gehackt)	1, 1/2 Esslöffel
Gewürze	nach Geschmack
Salz	1/4 Teelöffel
Mehl	1, 1/2 Esslöffel

- Hammelfleisch soll im Fleischwolf einmal oder zweimal zerkleinert werden.
- Knollenzwiebel wird in Öl geröstet, danach wird gehacktes Hammelfleisch, Gewürze, Salz und Mehl zugegeben.

### (Hülle)

Magerfleisch	450 g
Mehl	150-200 g
Gewürze	nach Geschmack
Muskatnuß	1 Stück
gemahlener Schottenpfeffer Pfeffer	nach Geschmack
Pfeffer	nach Geschmack

- Es wird dreimal Fleisch, sowie Muskatnuss im Fleischwolf zerkleinert, danach werden alle Komponente gemischt.
- Der größere Fleischanteil und kleinerer Mehlanteil in der Außenhülle gewährleisten die bessere Konsistenz und den besseren Geschmack des zubereiteten Gerichtes.
- Die zubereiteten Röhrrchen werden gefüllt, an den Rändern zusammengedrückt und nach Wunsch geformt.
- Danach werden sie frittiert.

### Anmerkung:

**Die Kebbeaufsätze (17,18) und Würstchenaufsätze (15,16) werden nach der Nutzung im Stampfer (1) aufbewahrt (Abb. A).**

### GEMÜSEZERKLEINERER

- Setzen Sie das Reibeisen (22), den Raspelaufsatz (21) oder den Aufsatz für die Zubereitung von Kartoffelpuffern (23) ins Gehäuse des Gemüsezerkleinerers (20) auf.
- Stellen Sie das Gehäuse des Gemüsezerkleinerers (20) auf, drehen Sie es gegen Uhrzeigersinn bis zum vollständigen Einrasten. (Siehe die Abbildung der Gesamtansicht des Fleischwolfes)
- Stecken Sie den Netzstecker in die Steckdose.
- Schalten Sie den Fleischwolf mit der Taste (8) ein.

- Nutzen Sie während des Betriebs nur den Stampfer (19), der zum Lieferumfang gehört; es ist nicht gestattet, Gemüse mit anderen Gegenständen oder mit Händen durchzustößeln.
- Um den Aufsatz des Gemüsezerkleinerers (20) abzunehmen, drücken Sie die Halsverriegelungstaste (4), die sich am Gehäuse befindet, drehen Sie den Aufsatz im Uhrzeigersinn (Siehe die Abbildung der Gesamtansicht des Fleischwolfes) und nehmen Sie ihn ab.
- Zur Verarbeitung von weichem Gemüse, z.B. Tomaten, nutzen Sie eine niedrige Geschwindigkeit der Schneckendrehung, drücken Sie dafür die Einschalttaste der niedrigen Geschwindigkeit (6), die Beleuchtung wird sich von blau auf rot ändern.
- Nach der Beendigung der Arbeit schalten Sie den Fleischwolf aus, drücken Sie dabei die Taste (8), und ziehen Sie den Stecker aus der Steckdose heraus.
- Schalten Sie den Fleischwolf mit der Taste (8) ein.
- Schalten Sie die niedrigere Geschwindigkeit, indem Sie die Taste (6) drücken, dabei ändert sich die Beleuchtung von blau auf rot, dies bedeutet, dass der Betrieb der niedrigeren Drehungsgeschwindigkeit eingeschaltet ist.
- Nutzen Sie während des Betriebs nur den Stampfer (1), der zum Lieferumfang gehört; es ist nicht gestattet, Gemüse mit anderen Gegenständen oder mit Händen durchzustößeln.
- Der Pressregler (28) hat 3 Betriebspositionen. Auf dem Deckel (27) sind entsprechende Symbole aufgetragen. Für die Regulierung der Pressstufen wird die Position der Kegelaufsätze durch den Regler gemäß den Symbolen „1“, „2“, „3“ abhängig von der Art der Gemüse oder Früchten geändert, indem Sie diese an die Schnecke drücken.

## ENTSAFTER

- Stellen Sie den Kegelfilteraufsatz (26) auf die Plastikschncke (25) auf, danach stellen Sie diese ins Gehäuse des Entsaftungsaufsatzes (24).
- Schließen Sie das Gehäuse mit dem Deckel (27) zu, indem Sie die Vorsprünge mit den Aussparungen am Gehäuse (24) zusammenführen, und drehen Sie ihn gegen den Uhrzeigersinn in die Position „CLOSE“ bis zum Einrasten.
- Stellen Sie den Pressregler (28) auf den Deckel des Entsafters (27), indem Sie den Anzeiger am Regler mit dem Symbol «0» zusammenführen und drehen Sie ihn gegen den Uhrzeigersinn, indem Sie darauf leicht drücken..
- Stellen Sie das Gehäuse des Aufsatzes (24) in die Aufnahme des Gehäuses (5) auf und drehen Sie es gegen den Uhrzeigersinn bis zum vollständigen Einrasten (Siehe die Abbildung der Gesamtansicht des Fleischwolfes).
- Setzen Sie die Schale für Nahrungsmittel (2) auf.
- Stecken Sie den Netzstecker in die Steckdose.
- Nach der Beendigung der Arbeit schalten Sie den Fleischwolf aus, drücken Sie dabei die Taste (8), und ziehen Sie den Stecker aus der Steckdose heraus.
- Drücken Sie die Halsverriegelungstaste (4), drehen Sie den Fleischwolfhals im Uhrzeigersinn und nehmen Sie ihn ab (Siehe die Abbildung der Gesamtansicht des Fleischwolfes).
- Drehen Sie die Halsmutter (14) ab und nehmen Sie die aufgestellten Aufsätze (15, 16 oder 17, 18), Lochscheiben (10 oder 13), das Kreuzmesser (11) von der Schnecke (11) ab.
- Nehmen Sie die Schnecke (11) vom Fleischwolfhals (3) ab.
- Entfernen Sie die Reste der Nahrungsmittel von der Schnecke.
- Das Zubehör (1, 2, 15, 16, 17, 18, 19, 25, 26, 27, 28) kann in der Geschirrspülmaschine gewaschen werden.
- Die Aufsätze (15,16,17,18) können im Gehäuse des Stampfers (1) aufbewahrt werden (Abb. A).
- Wischen Sie das Gehäuse des Fleischwolfes (5) mit einem feuchten Tuch ab.
- Um den Aufsatz für Gemüseentsaftung zuspülen, drücken Sie die Halsverriegelungstaste (4), die sich am Gehäuse (5) befindet,

## PFLEGE DES FLEISCHWOLFES

# DEUTSCH

drehen Sie den Aufsatz im Uhrzeigersinn (Siehe die Abbildung der Gesamtansicht des Fleischwolfes) und nehmen Sie ihn ab.

- Drehen Sie die Decke (27) im Uhrzeigersinn, indem Sie diese in die Position „OPEN“ stellen, nehmen Sie den Kegelfilteraufsatz (26) und die Plastikschncke (25) ab.
- Drehen Sie den Entsaftungsregler (28) im Uhrzeigersinn, indem Sie ihn in die Position „0“ stellen und nehmen Sie ihn ab.
- Entfernen Sie die Reste der Nahrungsmittel von der Schncke.
- Waschen Sie das Zubehör des Fleischwolfes unter warmem Seifenwasser mit einem neutralen Waschmittel, spülen und trocknen Sie diesen sorgfältig ab.
- Es ist nicht gestattet, Abrasiv- und Lösungsmittel für die Reinigung des Gehäuses des Fleischwolfes (5) zu nutzen.
- Achten Sie darauf, dass die Flüssigkeit ins Gehäuse des Geräts nicht eindringt.
- Bevor Sie das getrocknete Zubehör zur Aufbewahrung wegpacken, schmieren Sie die Lochscheiben (10, 13) und das Kreuzmesser (12) mit Pflanzenöl - so schützen Sie diese vor Oxidierung.

## TECHNISCHE EIGENSCHAFTEN

Stromversorgung: 220-240 V ~ 50/60 Hz

Maximale Leistung: 1500 W

*Der Hersteller behält die Rechte vor, Veränderungen ins Design und die Konstruktion des Geräts ohne vorzeitige Benachrichtigung vornehmen zu dürfen.*

**Die Nutzungsdauer des Geräts beträgt - 5 Jahre.**

## Gewährleistung

Ausführliche Bedingungen der Gewährleistung kann man beim Dealer, der diese Geräte verkauft hat, bekommen. Bei beliebiger Anspruchserhebung soll man während der Laufzeit der vorliegenden Gewährleistung den Check oder die Quittung über den Ankauf vorzulegen.



*Das vorliegende Produkt entspricht den Forderungen der elektromagnetischen Verträglichkeit, die in 89/336/EWG -Richtlinie des Rates und den Vorschriften 73/23/EWG über die Niederspannungsgeräte vorgesehen sind.*

## МЯСОРУБКА

### ОПИСАНИЕ

1. Толкатель
2. Лоток для продуктов
3. Корпус головки мясорубки
4. Кнопка фиксатора головки мясорубки
5. Корпус
6. Кнопка включения пониженной скорости
7. Кнопка включения обратного вращения (REV)
8. Кнопка включения/отключения
9. Кнопка включения автоматического предохранителя
10. Решетка для средней рубки
11. Шнек
12. Крестообразный нож
13. Решетка для крупной рубки
14. Гайка головки мясорубки
15. Насадка для набивки колбасок
16. Насадка для набивки колбасок
17. Насадка для приготовления «кеббе»
18. Насадка для приготовления «кеббе»
19. Толкатель овощерезки
20. Корпус насадки овощерезки
21. Шинковка
22. Крупная терка
23. Насадка для приготовления драников
24. Корпус насадки-соковыжималки
25. Шнек соковыжималки
26. Коническая насадка-фильтр
27. Крышка соковыжималки
28. Регулятор отжима

### РЕКОМЕНДАЦИИ ПО ТЕХНИКЕ БЕЗОПАСНОСТИ

Для обеспечения эффективной и безопасной эксплуатации устройства внимательно ознакомьтесь с данной инструкцией. Даже если вы знакомы с работой подобных устройств, мы настоятельно просим вас прочитать раздел «Меры предосторожности» и в точности следовать всем рекомендациям.

Храните данную инструкцию в удобном месте, используйте ее в дальнейшем в качестве справочного материала.

### МЕРЫ ПРЕДОСТОРОЖНОСТИ

Для снижения риска пожара, поражения электрическим током либо других травм во

время работы с электрической мясорубкой необходимо соблюдать следующие меры предосторожности:

- Перед первым включением убедитесь, что напряжение в электрической сети соответствует рабочему напряжению устройства.
- Используйте только те аксессуары, которые входят в комплект поставки.
- Во избежание поражения электрическим током НИКОГДА НЕ ПОГРУЖАЙТЕ устройство, сетевой шнур и вилку сетевого шнура в воду либо другие жидкости.
- Для чистки корпуса используйте влажную ткань.
- Никогда не оставляйте работающую мясорубку без присмотра.
- Будьте особенно внимательны, если рядом с работающей мясорубкой находятся дети или лица с ограниченными возможностями.
- Мясорубка не предназначена для использования детьми и людьми с ограниченными возможностями. В исключительных случаях лицо, отвечающее за их безопасность, должно дать соответствующие и понятные инструкции о безопасном использовании мясорубки и тех опасностях, которые могут возникнуть при ее неправильном использовании.
- Перед сборкой, разборкой, а также перед чисткой мясорубки следует выключить ее и вынуть сетевую вилку из розетки.
- Запрещается устанавливать устройство на горячую поверхность или рядом с таковой (например, рядом с газовой, электрической плитой или нагретой духовкой).
- Аккуратно обращайтесь с сетевым шнуром.
- Запрещается использовать сетевой шнур для переноски устройства.
- Не допускайте, чтобы сетевой шнур свешивался со стола, а также следите, чтобы он не касался горячих поверхностей.
- При отсоединении вилки сетевого шнура от электрической розетки держитесь за вилку, а не за сам шнур.
- Не подсоединяйте и не отсоединяйте сетевой шнур мокрыми руками, это может привести к поражению электрическим током.

# РУССКИЙ

- Запрещается пользоваться устройством с поврежденным сетевым шнуром или испорченной сетевой вилкой, а также в тех случаях, когда устройство функционирует со сбоями, упало с высоты или повреждено иным образом.
- Для ремонта устройства или замены сетевого шнура обратитесь в авторизованный (уполномоченный) сервисный центр.
- Мясорубка предназначена для использования только в домашних условиях.
- Пользуйтесь толкателем, который входит в комплект поставки. Не проталкивайте продукты другими предметами или пальцами.
- Ни в коем случае не погружайте корпус мясорубки в воду или другие жидкости.
- Во время использования насадок «кеббе» (17, 18) и для набивки колбасок (15, 16) нельзя устанавливать решетки (10, 13) и нож (12).
- Не пытайтесь перерабатывать мясорубкой пищевые продукты с твердыми волокнами (например, имбирь или хрен).
- Во избежание образования заторов не прикладывайте чрезмерных усилий, проталкивая мясо.
- Если какой-либо застрявший твердый кусок приводит к остановке вращения шнека и ножа, немедленно выключите устройство, и прежде чем продолжить работу, удалите его.
- Для переключения на обратное вращение (REVERSE) выключите мясорубку, нажав на кнопку (8), и после паузы в 5-6 секунд нажмите на кнопку (7) (REV).

## ОСОБЕННОСТИ МЯСОРУБКИ

**Основная и дополнительная рабочие скорости** – основная рабочая скорость используется для всех способов измельчения мяса, дополнительная скорость предназначена для переработки мягких овощей и косточковых ягод, например, томатов, красной смородины, ежевики, черники и т.д. Для визуального контроля скорости каждый режим имеет различную подсветку кнопок управления: основная рабочая скорость сопровождается синей подсветкой, дополнительная скорость сопровождается красной подсветкой.

**Функция обратного вращения (REVERSE)** предназначена для удаления заторов, образовавшихся в ходе переработки продуктов.

**Лоток для продуктов** обеспечивает удобное расположение продуктов во время их переработки и облегчает загрузку продуктов в горловину головки.

**Две решетки с отверстиями разного размера** предназначены для разных степеней измельчения продуктов.

**Специальные принадлежности** предназначены для набивки колбасок и приготовления «кеббе».

**Насадка для приготовления сока из томатов и ягод** позволит вам приготовить соки из томатов и косточковых ягод.

**Система защиты от перегрева** предназначена для защиты электромотора от перегрева и позволяет продлить срок его службы.

## ВНИМАНИЕ!

- Перед подключением к электросети убедитесь, что устройство выключено.
- Перед началом рубки мяса обязательно убедитесь в том, что все кости и излишки жира удалены.

## ПОДГОТОВКА МЯСОРУБКИ

- Освободите мясорубку от всех упаковочных материалов, протрите корпус влажной тканью.
- Все съемные детали промойте теплой водой с нейтральным моющим средством, ополосните и перед сборкой тщательно просушите.

## РАБОТА С МЯСОРУБКОЙ

(общие положения)

- Мясорубка предназначена для переработки мяса без костей только в домашних условиях.
- Перед первым включением убедитесь, что напряжение в электрической сети соответствует рабочему напряжению устройства.
- Соберите мясорубку и установите ее на ровную сухую поверхность.
- Убедитесь в том, что вентиляционные отверстия на корпусе не заблокированы.
- Вставьте вилку сетевого шнура в розетку.
- Поставьте под головку мясорубки (3) подходящую посуду.



- Убедитесь в том, что мясо полностью оттаяло, удалите излишки жира и кости, нарежьте мясо на кубики или полоски такого размера, чтобы они свободно проходили в отверстие лотка (2).
- Включите устройство, нажав на кнопку (8).
- Не торопясь, проталкивайте мясо в рас­труб головки мясорубки (3) при помощи толкателя (1).
- Во время работы используйте толкатель (1), который входит в комплект.
- Запрещается использовать для проталкивания мяса другие предметы, ни в коем случае не проталкивайте мясо руками.
- Не прилагайте чрезмерных усилий для проталкивания мяса или других продуктов.
- В ходе рубки мяса может образоваться затор. Для устранения образовавшегося затора следует воспользоваться функцией обратного вращения (REV). Для этого выключите мясорубку, нажав на кнопку (8), дождитесь полной остановки электродвигателя, затем нажмите на кнопку (REV) (7), а через 5-6 секунд снова вернитесь к нормальному режиму работы.
- Время непрерывной работы устройства не должно превышать 5 минут.
- После 5 минут непрерывной работы следует выключить устройство и дать ему охладиться, после чего можно продолжить работу.
- Как только вы закончите работу, выключите мясорубку, нажав на кнопку (8), отключите ее от сети, и только после этого приступайте к ее разборке.

## ИЗМЕЛЬЧЕНИЕ МЯСА

- Вставьте шнек (11) в корпус головки мясорубки (3), установите крестообразный нож (12), выберите одну необходимую решетку (10 или 13) и установите ее поверх ножа, совместив паз на решетке с выступом в корпусе головки мясорубки (3), затяните без усилия гайку (14).

### **Внимание!**

- **Если нож будет установлен неправильно (режущей стороной по направлению к шнеку), он не будет выполнять функцию рубки.**

- **Во время сборки головки мясорубки не затягивайте туго гайку (14), окончательно затяжку гайки (14) производите после установки собранной головки на мясорубку.**
- **Решетки с крупными (13) и средними отверстиями (10) подходят для переработки не только сырого мяса и рыбы, но и уже приготовленных продуктов, а также для овощей, сухофруктов, сыра и т.д.**

1. Установите собранную головку мясорубки (3) в гнездо корпуса (5) и поверните её против часовой стрелки до фиксации (см. рисунок общего вида мясорубки).
2. Окончательно затяните гайку (14).
3. На горловину головки мясорубки (3) установите лоток для продуктов (2).
4. Вставьте сетевую вилку в розетку.
5. Включите мясорубку, нажав на кнопку (8).
6. Во время работы для проталкивания мяса или других продуктов пользуйтесь только толкателем (1).

### **Примечание**

- **Для улучшения процесса переработки мяса нарежьте его полосками или кубиками. Замороженное мясо необходимо полностью разморозить.**
  - **Используйте во время работы толкатель, который входит в комплект; запрещается использовать для проталкивания мяса какие-либо предметы, ни в коем случае не проталкивайте мясо руками.**
7. Как только вы закончите работу, выключите мясорубку, нажав на кнопку (8), отключите ее от сети, и только после этого приступайте к ее разборке.
  8. Для снятия головки мясорубки нажмите на кнопку фиксатора (4), расположенную на корпусе (5), поверните головку мясорубки (3) по часовой стрелке и снимите ее (см. рисунок общего вида мясорубки).
  9. Для разборки головки мясорубки открутите гайку (14) и извлеките из корпуса головки мясорубки установленную решетку (10 или 13), нож (12) и шнек (11).

# РУССКИЙ

## **Внимание!**

- **Если в процессе рубки мяса образовался затор продуктов, воспользуйтесь функцией обратного вращения; для этого выключите мясорубку, нажав на кнопку (8), дождитесь остановки вращения электромотора и нажмите на кнопку (REV) (7), а через 5-6 секунд снова вернитесь к нормальному режиму работы.**
- **Если во время работы вращение шнека (11) и ножа (12) внезапно прекратилось:**
  - **отключите мясорубку, нажав на кнопку (8), и извлеките сетевую вилку из розетки;**
  - **дайте остыть электромотору в течение приблизительно 20-30 минут;**
  - **проверьте состояние автоматического предохранителя, нажав на кнопку включения (9);**
  - **повторно включите мясорубку.**

## **НАБИВКА КОЛБАСОК**

1. Приготовьте фарш.
2. Установите шнек (11) в корпус головки мясорубки (3), установите на шнек насадки для набивки колбасок (15, 16); следите за тем, чтобы паз на насадке (15, 16) совпал с выступом в корпусе головки мясорубки (3), и слегка затяните гайку (14).
3. Установите собранную головку мясорубки в гнездо корпуса (5), повернув ее против часовой стрелки до полной фиксации (см. рисунок общего вида мясорубки), окончательно затяните гайку (14).
4. Установите лоток для продуктов (2).
5. Выложите готовый фарш на лоток для продуктов (2).
6. Используйте для приготовления колбасок натуральную оболочку, предварительно поместив ее в сосуд с теплой водой на 10 минут.
7. Натяните размягченную оболочку на насадку (16), на конце оболочки завяжите узел.
8. Вставьте сетевую вилку в розетку.
9. Включите мясорубку кнопкой (8).
10. Для подачи готового фарша используйте толкатель (1), по мере заполнения оболочки сдвигайте ее с насадки (16), по мере высыхания оболочки смачивайте ее водой.
11. Как только вы закончите работу, выключите мясорубку, нажав на кнопку (8), и отключите ее от сети, и только после этого приступайте к ее разборке.
12. Для снятия головки мясорубки нажмите на кнопку фиксатора (4), расположенную на корпусе (5), поверните головку по часовой стрелке (см. рисунок общего вида мясорубки) и снимите ее.
13. Отверните гайку (14) и разберите головку мясорубки.

## **ИСПОЛЬЗОВАНИЕ НАСАДКИ «КЕББЕ»**

Кеббе - традиционное ближневосточное блюдо, которое готовится из мяса ягненка, пшеничной муки и специй, которые рубятся вместе, чтобы получилась основа для изготовления полых трубочек. Трубочки наполняются начинкой и обжариваются во фритюре. Экспериментируя с начинкой для трубочек, можно готовить различные деликатесы.

1. Приготовьте основу для оболочки.
2. Установите шнек (11) в корпус головки мясорубки (3), установите на шнек (11) насадки «кеббе» (17, 18); следите за тем, чтобы паз на насадке (17, 18) совпал с выступом в корпусе головки мясорубки (3), и слегка заверните гайку (14).
3. Установите собранную головку мясорубки в гнездо корпуса (5), повернув ее против часовой стрелки до полной фиксации (см. рисунок общего вида мясорубки), окончательно затяните гайку (14).
4. Установите лоток для продуктов (2).
5. Выложите готовую основу для оболочки на лоток для продуктов (2).
6. Вставьте сетевую вилку в розетку.
7. Включите мясорубку кнопкой (8).
8. Для подачи основы для оболочки используйте толкатель (1).
9. Отрежьте готовые трубочки необходимой длины.
10. Как только вы закончите работу, выключите мясорубку, нажав на кнопку (8), и от-

ключите ее от сети, и только после этого приступайте к ее разборке.

11. Для снятия головки мясорубки нажмите на кнопку фиксатора (4), расположенную на корпусе (5), поверните головку (3) по часовой стрелке (см. рисунок общего вида мясорубки) и снимите ее.
12. Отверните гайку (14) и разберите головку мясорубки.

## РЕЦЕПТ

### (Начинка)

Баранина	100 г
Оливковое масло	1, 1/2 столовой ложки
Репчатый лук (мелко нашинкованный)	1, 1/2 столовой ложки
Пряности	по вкусу
Соль	1/4 чайной ложки
Мука	1, 1/2 столовой ложки

- Баранину необходимо измельчить в мясорубке один или два раза.
- Репчатый лук обжаривают в масле до золотистого цвета, затем добавляют рубленую баранину, все пряности, соль и муку.

### (Оболочка)

Постное мясо	450 г
Мука	150-200 г
Пряности	по вкусу
Мускатный орех	1 шт.
Красный молотый перец	по вкусу
Перец	по вкусу

- Мясо измельчают в мясорубке три раза, измельчается также мускатный орех, затем смешивают все компоненты.
- Большее количество мяса и меньшее количество муки в наружной оболочке обеспечивают лучшую консистенцию и вкус готового изделия.
- Готовые трубочки наполняются начинкой, зажимаются по краям, им придается желаемая форма.
- Готовятся трубочки во фритюре.

### Примечание:

**Насадки для приготовления колбасок (15, 16) и насадки для «кеббе» (17, 18) после использования можно хранить в толкателе (1) (рис. А)**

## ОВОЩЕРЕЗКА

- Установите терку (22), шинковку (21) или насадку для драников (23) в корпус овощерезки (20).
- Установите корпус овощерезки (20), повернув его против часовой стрелки до полной фиксации (см. рисунок общего вида мясорубки).
- Вставьте сетевую вилку в розетку.
- Включите мясорубку, нажав на кнопку (8).
- Во время работы с овощерезкой пользуйтесь только специальным толкателем (19), входящим в комплект; запрещается использовать для проталкивания овощей посторонние предметы, ни в коем случае не проталкивайте овощи руками.
- Для снятия насадки овощерезки (20) нажмите на кнопку фиксатора (4), расположенную на корпусе (5), поверните ее по часовой стрелке (см. рисунок общего вида мясорубки) и снимите.
- Для переработки мягких овощей, например, томатов, используйте пониженную скорость вращения шнека, для этого нажмите на кнопку включения пониженной скорости (6), подсветка кнопок сменится с синей на красную.
- После окончания работы отключите пониженную скорость вращения шнека, повторно нажав на кнопку (6), после этого выключите мясорубку, нажав на кнопку (8), и извлеките вилку сетевого шнура из розетки.

## НАСАДКА ДЛЯ ПРИГОТОВЛЕНИЯ СОКА ИЗ ТОМАТОВ И ЯГОД

- Установите коническую насадку-фильтр (26) на пластиковый шнек (25), затем установите их в корпус насадки-соковыжималки (24).
- Закройте корпус крышкой (27), совместив выступы с углублениями на корпусе (24), и поверните его против часовой стрелки в положение «CLOSE» для фиксации.
- Установите регулятор отжима (28) на крышку соковыжималки (27), совместив

# РУССКИЙ

- указатель на регуляторе с символом «0», и, слегка нажав, поверните его против часовой стрелки.
- Установите корпус насадки (24) в гнездо корпуса (5), и поверните его против часовой стрелки до полной фиксации (см. рисунок общего вида мясорубки).
  - Установите лоток для продуктов (2).
  - Вставьте сетевую вилку в розетку.
  - Включите мясорубку, нажав на кнопку (8).
  - Включите пониженную скорость, нажав на кнопку (6), при этом подсветка кнопок изменится с синей на красную, указывая на то, что включен режим пониженной скорости вращения.
  - Во время работы пользуйтесь только толкателем (1), входящим в комплект; для проталкивания продуктов запрещается использовать посторонние предметы, ни в коем случае не проталкивайте продукты руками.
  - Регулятор отжима (28) имеет 3 рабочих положения. На крышке (27) нанесены соответствующие символы. Для регулировки степени отжима, в зависимости от типа овощей или фруктов, регулятор изменяет положение конической насадки в соответствии с символами («1», «2», «3»), прижимая её к шнеку.

## УХОД ЗА МЯСОРУБКОЙ

- После окончания работы следует выключить мясорубку, нажав на кнопку (8), и извлечь вилку сетевого шнура из розетки.
- Нажмите на кнопку фиксатора (4), поверните головку мясорубки по часовой стрелке и снимите ее (см. рисунок общего вида мясорубки).
- Отверните гайку (14) и снимите установленные насадки (15, 16 или 17, 18), сетки (10 или 13), нож (12) со шнека (11).
- Извлеките шнек (11) из головки мясорубки (3).
- Удалите со шнека остатки продуктов.
- Принадлежности (1, 2, 15, 16, 17, 18, 19, 25, 26, 27, 28) можно мыть в посудомоечной машине.
- Для удобства и компактности хранения насадки (15, 16, 17, 18) можно хранить внутри толкателя (1). (рис. А)

- Протрите корпус мясорубки (5) влажной тканью.
- Для промывки насадки для приговления сока нажмите на кнопку фиксатора (4), расположенную на корпусе (5), поверните её по часовой стрелке и снимите (см. рисунок общего вида мясорубки).
- Поверните крышку (27) по часовой стрелке, установив её в положение «OPEN», извлеките коническую насадку-фильтр (26) и пластиковый шнек (25).
- Поверните регулятор отжима (28) по часовой стрелке, установив его в положение «0» и снимите.
- Удалите со шнека остатки продуктов.
- Промойте все принадлежности мясорубки в теплой мыльной воде с нейтральным моющим средством, ополосните и перед сборкой тщательно просушите.
- Запрещается использовать для чистки корпуса мясорубки (5) растворители или абразивные чистящие средства.
- Не допускайте попадания жидкости внутрь корпуса мясорубки.
- Перед тем как убрать просохшие принадлежности на хранение, смажьте решетки (10, 13) и нож (12) растительным маслом - так они будут защищены от окисления.

## ТЕХНИЧЕСКИЕ ДАННЫЕ

Электропитание: 220-240 В ~50/60 Гц

Максимальная мощность: 1500 Вт

*Производитель сохраняет за собой право изменять дизайн и технические характеристики устройства без предварительного уведомления.*

## Срок службы мясорубки – 5 лет



*Данное изделие соответствует всем требуемым европейским и российским стандартам безопасности и гигиены.*

## АН-ДЕР ПРОДАКТС ГмБХ, Австрия

Нойбаугюртель 38/7А, 1070 Вена, Австрия

Сделано в Китае

## ЕТТАРТҚЫШ

### СИПАТТАМА

1. Итергіш
2. Азық-түлікке арналған астауша
3. Еттартқыш бастиегінің корпусы
4. Еттартқыш бастиегі бекіткішінің батырмасы
5. Корпус
6. Төмен жылдамдықты іске қосу батырмасы
7. Кері айналуы іске қосу батырмасы (REV)
8. Іске қосу/ажырату батырмасы
9. Автоматты сақтандығышты іске қосу батырмасы
10. Орташа тартуға арналған торша
11. Шнек
12. Крест тәрізді пышақ
13. Ірі тартуға арналған торша
14. Еттартқыш бастиегінің бұрандасы
15. 16. Шұжықтарды толтыруға арналған қондырма
17. 18. «Көббе» өзірлеуге арналған қондырмалар»
19. Көкөніс турағыш
20. Көкөніс турағыш қондырмасының корпусы
21. Ұсатқыш
22. Ірі үккіш
23. Драниктерді жасауға арналған қондырма
24. Корпус насадки-соковыжималки
25. Шырынсыққыш шнегі
26. Конус тәрізді қондырма-сүзгіш
27. Шырынсыққыш қақпағы
28. Сығу рететегіші

### ҚАУІПСІЗДІК ТЕХНИКАСЫ БОЙЫНША ҰСЫНЫСТАР

Құрылғыны нәтижелі және қауіпсіз пайдалануды қамтамасыз ету үшін берілген нұсқаулықты зейін қойып оқып шығыңыз. Егер сіз ұқсас құрылғылардың жұмысымен таныс болсаңыз да біз сізді «Қауіпсіздік шаралары» тарауын оқуды, сонымен қатар барлық нұсқаулықтарды тура қолдануды өтінеміз. Берілген басшылықты ыңғайлы жерде сақтаңыз, оны келешекте анықтамалық материал ретінде пайдаланыңыз.

### ҚАУІПСІЗДІК ШАРАЛАРЫ

Электр еттартқышымен жұмыс істеу уақытында өрттің, электр тоғымен зақымданудың немесе басқа жарақаттардың

тәуекелін азайту үшін келесі сақтандыру шараларын сақтау керек:

- Алғашқы іске қосу алдында, электр желісіндегі кернеу құрылғының жұмыс істеу кернеуіне сәйкес келетініне көз жеткізіңіз.
- Жеткізілім жинағына кіретін қосымша бөлшектерді ғана пайдаланыңыз.
- Электр тоғымен зақымдануға жол бермеу үшін құрылғыны, желілік бауды және желілік баудың айыртетігін суға немесе басқа сұйықтықтарға ЕШҚАШАН БАТЫРМАҢЫЗ.
- Корпусты тазалау үшін дымқыл матаны пайдаланыңыз.
- Ешқашан жұмыс істеп тұрған еттартқышты қараусыз қалдырмаңыз.
- Жұмыс істеп тұрған еттартқыштың қасында балалар немесе мүмкіндіктері шектеулі адамдар болса, аса назар болыңыз.
- Еттартқышты балалар немесе мүмкіндіктері шектеулі адамдардың пайдалануына, егер олардың қауіпсіздігі үшін жауап беретін тұлғамен оларға аспапты қауіпсіз пайдалану және оны дұрыс пайдаланбаған кезде пайда болатын қауіптер туралы сәйкес және түсінікті нұсқаулықтар берілген болмаса рұқсат етілмейді
- Еттартқышты құрастырғанға, бөлшектегенге дейін, сонымен қатар тазалағанға дейін оны сөндіру және желілік айыртетікті ашалықтан ажырату керек.
- Құрылғыны ыстық бетке немесе сондайдың (газ, электр плитасы немесе қыздырылған тандыр) қасына орналастыруға тыйым салынады.
- Желілік бауды ұқыпты пайдаланыңыз.
- Желілік бауды құрылғыны тасымалдау үшін пайдалануға тыйым салынады.
- Желілік баудың үстелдің шетінен салбырауына жол бермеңіз, сонымен қатар оның ыстық беттерге тимеуін қадағалаңыз.
- Желілік баудың айыртетігін электр ашалығынан ажыратқанда, баудың өзінен емес, айыртетіктен ұстаңыз.
- Желілік бауды сулы қолмен қоспаңыз және ажыратпаңыз, бұл электр тоғымен зақымдануға әкелуі мүмкін.
- Құрылғыны зақымданған желілік баумен немесе желілік айыртетікпен, сонымен

# ҚАЗАҚ

- қатар құрылғы іркілістермен жұмыс істесе, немесе ол жоғарыдан түсіп кетсе, немесе басқаша жолмен зақымданса пайдалануға тыйым салынады.
- Құрылғыны жөндеу үшін немесе желілік бауды айырбастау үшін туындыгерлес қызмет көрсету орталығына хабарласыңыз.
  - Еттарқыш үй жағдайында ғана пайдалануға арналған.

## ЕТТАРТҚЫШТЫҢ ЕРЕКШЕЛІКТЕРІ

**Негізгі және қосымша жұмыс істеу жылдамдықтары** – негізгі жұмыс істеу жылдамдығы етті майдалаудың барлық тәсілдеріне пайдаланылады, қосымша жылдамдық жұмсақ көкөністер мен сүйекті жидектерді, мысалы, қызандарды, қызыл қарақатты, қара таңқурайды, және т.с.с-ларды өңдеу үшін арналған. Жылдамдықты көзбен бақылау үшін әрбір режимнің басқару батырмаларының әртүрлі көмескілеуі болады: негізгі жұмыс істеу жылдамдығы көк түспен, қосымша жылдамдық қызыл түспен сүйемелденеді.

**Кері айналу қызметі (REVERSE)** – берілген азық-түлікті өңдеу барысында пайда болған кептелістерді жою үшін арналған.

**Азық-түлікке арналған астауша** – азық-түлікті өңдеу уақытында олардың ыңғайлы орналасуын қамтамасыз етеді және азық-түлікті бастиек аузына жүктеуді жеңілдетеді.

**Үлкендігі әртүрлі саңылаулары бар екі торша** – азық-түлікті ұсақтаудың әртүрлі дәрежесіне арналған.

**Арнайы жабдықтар** – шұжықтарды толтыруға және «кеббе» әзірлеуге арналған.

**Көкөністер мен жидектерден шырынды сығуға арналған қондырма**

Жұмсақ көкөністер мен сүйекті жидектерден шырын дайындауға ысқақ мүмкіндік береді.

**Қызып кетуден қорғаныс жүйесі** – еттарқыш электр моторының өып кетуден қорғанысын қамтамасыз етеді.

## НАЗАР АУДАРЫҢЫЗ!

- Желіге қосу алдында, құрылғының сөндірілгеніне көз жеткізіңіз.
- Етті тартудың алдында барлық сүйектер мен артық майлар алынғанына міндетті түрде көз жеткізіңіз.

- Жеткізілім жинағына кіретін итергішті пайдаланыңыз. Азық-түлікті қандай да бір заттармен немесе саусақпен итермеңіз.
- Ешбір жағдайда еттарқыштың корпусын суға немесе басқа сұйықтықтарға батырмаңыз.
- «Кеббе» (17, 18) және шұжықтарды толтыруға (15, 16) арналған қондырмаларды пайдаланған кезде торшаларды (10, 13) және пышақты (13) орнатуға болмайды.
- Еттарқышпен қатты талшықтары бар тағамдық азық-түлікті (мысалы зімбір немесе желкек) өңдеуге тырыспаңыз.
- Кептелістердің пайда болуына жол бермеу үшін етті итергенде аса күш салмаңыз.
- Егер қандай да бір кептеліп қалған қатты бөлшек шнектің және пышақтың айналуының тоқтауына әкелсе, дереу Құрылғыны сөндіріңіз және жұмысты жалғастыру алдында оны алып тастаңыз.
- Кері айналуға (REVERSE) көшкен кезде батырмасын (8) басып еттарқышты сөндіріңіз, және 5-6 секундтық үзілістен кейін батырманы (7) (REV) басыңыз.

## ЕТТАРТҚЫШТЫ ӨЗІРЛЕУ

- Еттарқышты шығарыңыз және барлық қаптайтын материалдарды алып тастаңыз, корпусты дымқыл матамен сүртіңіз.
- Барлық алынбалы бөлшектерді бейтарап жуғыш заты бар жылы сумен жуыңыз, шайыңыз және құрастыру алдында жақсылап кептіріңіз.

## ЕТТАРТҚЫШПЕН ЖҰМЫС ІСТЕУ

(жалпы ережелер)

- Еттарқыш сүйегі жоқ етті өңдеуге тек үй жағдайында арналған.
- Алғашқы іске қосу алдында электр желісіндегі кернеу құрылғының жұмыс істеу кернеуіне сәйкес келетініне көз жеткізіңіз.
- Құрылғыны құрастырыңыз және жазық құрғақ бетке орнатыңыз.
- Корпустағы желдетілетін саңылаулар бітеліп қалмағанына көз жеткізіңіз.
- Желілік баудың айыртетігін ашалыққа қосыңыз.
- Еттарқыш бастиегінің (3) астына сәйкес ыдысты қойыңыз.

- Еттің толық ерігеніне көз жеткізіңіз, артық майларды және сүйектерді алып тастаңыз, етті астаушаның (2) саңылауына еркін өтетіндей кубтар немесе жолақша етіп тураңыз.
  - Батырманы (8) басып құрылғыны іске қосыңыз.
  - Асықпай, еттартқыш бастиегінің (3) қонышына итергіштің (1) көмегімен етті итеріңіз.
  - Жұмыс істеу уақытында жеткізілім жинағына кіретін итергішті (1) пайдаланыңыз. Етті итеруге қандай да бір заттарды пайдалануға тыйым салынады, ешбір жағдайда етті қолмен итермеңіз.
  - Етті немесе басқа азық-түлікті итеру үшін аса көп күш жұмсамаңыз.
  - Етті тарту барысында кептеліс пайда болуы мүмкін, пайда болған кептелісті жою үшін кері айналу қызметін (REV) пайдалану керек. Бұл үшін (ON/OFF) батырмасын (6) басып еттартқышты сөндіріңіз, электр моторының толық тоқтауын күтіңіз, содан кейін (REV) (7) батырмасын басыңыз, ал 5-6 секундтан кейін қалыпты жұмыс істеу режиміне оралыңыз.
  - Құрылғының үздіксіз жұмыс істеу уақыты 5 минуттан аспауы керек.
  - 5 минут үздіксіз жұмыс істеуден кейін құрылғыны сөндіру керек және оған салқындауға уақыт беру керек, содан кейін жұмысты жалғастыруға болады.
  - Жұмыс істеп біткеннен кейін, батырманы (7) басып, еттартқышты сөндіріңіз және оны желіден ажыратыңыз, және содан кейін ғана оны бөлшектеуге кірісіңіз.
- *Еттартқыш бастиегін құрастыру уақытында бұrandаны (14) қатты тартпаңыз, бұrandаның (14) соңғы бұралуын құрастырылған бастиек еттартқышқа орнатылғаннан кейін жүзеге асырыңыз.*
  - *Ірі (13) саңылаулары бар торша және ұсақ саңылаулары бар торша (10) шикі, сонымен қатар дайын етті, балықты, көкөністерді, кептірілген жеміс-жидектерді, ірімшікті, және т.с.с.—ны өңдеуге жарамды.*
2. Еттартқыштың құрастырылған бастиегін (3) корпустағы ұяға салып орнатыңыз және оны сағат тіліне қарсы шыртылға дейін бұраңыз (еттартқыштың жалпы түрінің суретін қар.).
  3. Бұrandаны соңына дейін тартыңыз (14).
  4. Еттартқыш бастиегінің (3) аузына азық-түлікке арналған астаушаны (2) орнатыңыз.
  5. Желілік айыртетікті ашалыққа қосыңыз.
  6. Батырманы (7) басып құрылғыны іске қосыңыз.
  7. Жұмыс істеу кезінде тек итергішті (1) пайдаланыңыз.

### Ескерту

### ЕТТІ ҰСАҚТАУ

1. Шнекті (11) еттартқыш бастиегінің (3) корпусына салыңыз, крест тәрізді пышақты (11) орнатыңыз, бір қажетті торшаны (10, 13) таңдаңыз және торшадағы ойықтарды еттартқыш бастиегінің корпусындағы (3) дөңестермен келістіре оны пышақтың үстіне орнатыңыз, бұrandаны (14) күш салмай бұраңыз.

### НАЗАР АУДАРЫҢЫЗ!

- *Егер пышақ дұрыс емес (шнекке кесетін жағымен) орнатылса, ол турау қызметін орындамайды.*

- *Етті өңдеу процесін жақсарту үшін оны жолақша немесе куб тәрізді етіп тураңыз. Мұздатылған етті толық еріту қажет.*
  - *Жинаққа кіретін итергішті жұмыс істеу уақытында пайдаланыңыз; етті итеруге қандай да бір заттарды пайдалануға тыйым салынады, ешбір жағдайда етті қолмен итермеңіз.*
8. Жұмыс істеп біткеннен кейін, батырманы (8) басып, еттартқышты сөндіріңіз және оны желіден ажыратыңыз, және содан кейін ғана оны бөлшектеуге кірісіңіз.
  9. Еттартқыш бастиегін шешу үшін корпуста (5) орналасқан бекіткіш (4) батырмасын басыңыз, еттартқыш бастиегін (3) сағат тілі бойынша бұраңыз және оны шешіңіз (еттартқыштың жалпы түрінің суретін қар.).
  10. Еттартқыш бастиегін бөлшектеу үшін бұrandаны (14) бұрап алыңыз және

# ҚАЗАҚ

еттартқыш бастиегінің корпусынан орнатылған торшаны (10, 13), пышақты (12) және шнекті (11) алып шығыңыз.

## Назар аударыңыз!

- **Егер етті тарту процесінде азық-түліктің кептелуі пайда болса, кері айналу қызметін пайдаланыңыз; ол үшін батырманы (8) басып еттартқышты сөндіріңіз, электр моторының тоқтауын күтіңіз және (REV) (7) батырмасын басыңыз, ал 5-6 секундтан кейін қайтадан қалыпты жұмыс істеу режиміне оралыңыз.**
- **Егер жұмыс істеу уақытында шнек (11) және пышақтың (12) айналуы кенет тоқтап қалса:**
  - **батырманы (8) басып еттартқышты сөндіріңіз, және желілік айыртетікті ашалықтан ажыратыңыз;**
  - **электр мотордың сууына 20-30 минуттай уақыт беріңіз;**
  - **іске қосу батырмасына (9) басып, автоматты сақтандырғыш күйін тексеріңіз;**
  - **еттартқышты қайтадан іске қосыңыз.**

## ШҰЖЫҚТАРДЫ ТОЛТЫРУ

1. Фаршты дайындаңыз.
2. Шнекті (11) еттартқыш бастиегінің (3) корпусына орнатыңыз, шнекке шұжықтарды толтыруға арналған қондырмаларды (15, 16) орнатыңыз; қондырмадағы (15) дөңестерді еттартқыш бастиегіндегі (3) ойықтарға келістіре орнатыңыз, бұранданы (14) сәл тартып бұраңыз.
3. Құрастырылған еттартқыш бастиегін корпусыағы (5) ұяға сағат тіліне қарсы толық бекітілгенге дейін бұрап орнатыңыз, бұранданы (14) соңына дейін бұраңыз (еттартқыштың жалпы түрінің суретін қар.).
4. Азық-түлікке арналған астаушаны (2) орнатыңыз.
5. Азық-түлікке арналған астаушаға(2) дайын фаршты салыңыз.
6. Шұжықтарды әзірлеуге, алдын-ала жылы суы бар ыдысқа 10 минутқа салынған, табиғи қабықты пайдаланыңыз.

7. Жұмсартылған қабықты қондырмаға (16) тартып кигізіңіз және қабықтың шетін байлаңыз.
8. Желілік айыртетікті ашалыққа қосыңыз.
9. Батырманы (8) басып құрылғыны іске қосыңыз.
10. Дайын фаршты итеру үшін итергішті (1) пайдаланыңыз, қабық толған сайын оны қондырмадан (16) жылжытыңыз, қабық кепкен сайын оны сумен жібітіңіз.
11. Жұмыс істеп біткеннен кейін, батырманы (8) басып, еттартқышты сөндіріңіз және оны желіден ажыратыңыз, және содан кейін ғана оны бөлшектеуге кірісіңіз.
12. Еттартқыш бастиегін шешу үшін корпуста (5) орналасқан бекіткіш (4) батырмасын басыңыз, бастиекті сағат тілі бойынша бұраңыз және оны шешіңіз.
13. Бұранданы (14) бұрап алыңыз және еттартқыш бастиегін бөлшектеңіз.

## «КЕББЕ» ҚОНДЫРМАСЫН ПАЙДАЛАНУ

Кеббе – қозы етінен, астық ұнынан және дәмдеуіштерден дайынадалатын дәстүрлі жақын шығыстағы тағам, олар қуыс түтіктердің негізін жасау үшін бірге туралады. Қуыс түтіктер салындымен толтырылады және фритюрде қуырылады.

Түтіктерге арналған салындыларды байқап көріп, әртүрлі дәмді тамақтарды пайдалануға болады.

1. Қабыққа арналған негізді дайындаңыз.
2. Шнекті (11) еттартқыш бастиегінің (3) корпусына орнатыңыз, шнекке (11) «кеббе» қондырмаларын (17, 18) орнатыңыз; қондырмадағы (17) дөңестер еттартқыш бастиегіндегі (3) ойықтарға сәйкес келуін қадағалаңыз, және бұранданы (11) сәл бұрап тартыңыз.
3. Құрастырылған еттартқыш бастиегін корпустағы (5) ұяға сағат тіліне қарсы толық бекітілгенге дейін бұрап орнатыңыз, бұранданы (14) соңына дейін тартып бұраңыз (еттартқыштың жалпы түрінің суретін қар.).
4. Азық-түлікке арналған астаушаны (2) орнатыңыз.
5. Қабыққа арналған дайын негізді азық-түлікке арналған астаушаға (2) салыңыз.
6. Желілік айыртетікті ашалыққа қосыңыз.



14. Батырманы (8) басып құрылғыны іске қосыңыз.
15. Дайын қамырды итеру үшін итергішті (1) пайдаланыңыз.
16. Дайын түтіктерді қажетті ұзындықпен кесіңіз.
17. Жұмыс істеп біткеннен кейін, батырманы (8) басып, еттартқышты сөндіріңіз және оны желіден ажыратыңыз, және содан кейін ғана оны бөлшектеуге кірісіңіз.
18. Еттартқыш бастиегін шешу үшін корпуста (5) орналасқан бекіткіш (4) батырмасын басыңыз, бастиекті (3) сағат тілі бойынша бұраңыз және оны шешіңіз.
19. Бұранданы (14) бұрап алыңыз және еттартқыш бастиегін бөлшектеніңіз.

## РЕЦЕПТ

### (салынды)

Қой еті	100 г
Зәйтүн майы	1, 1/2 ас қасық
Домалақ бас пияз (ұсақ туралған)	1, 1/2 ас қасық
Дәмдеуіш	Керегінше
Тұз	1/4 шай қасық
Ұн	1, 1/2 ас қасық

- Қой етін еттартқышта бір немесе екі рет ұсақтау қажет.
- Домалақ бас пиязды зәйтүн майында қоңыр түске дейін қуырады және оны фаршқа қосады, содан кейін барлық дәмдеуіштерді, тұзды және ұнды қосады.

### (Қабығы)

Майсыз ет	450 г
Ұн	150-200 г
Дәмдеуіштер	1 шай қасық
Мускат жаңғағы	1 дана.
Қызыл ұнтақ бұры	Керегінше
Бұрыш	керегінше

- Еттартқышта етті үш рет ұсақтайды, сонымен қатар мускат жаңғағы да ұсақталады, содан кейін барлық компоненттер аралыстырылады.

20. Сыртқы қабықтағы еттің көп мөлшері және ұнның аз мөлшері жақсы консистенция мен дайын тағамның дәмін қамтамасыз етеді.
21. Дайын түтіктер салындымен толтырылады, шеттері қысылып шымшылады, оларға қажетті пішін беріледі.
22. Түтіктер фритюрде әзірленеді.

### Ескерту:

**Шұжықтарды жасауға арналған қондырмаларды (15,16) және «кеббеге» арналған қондырмаларды (17,18) пайдаланғаннан кейін итергіште (1) сақтауға болады (сур. А).**

## КӨКӨНІС ТУРАҒЫШ

- Үккішті (22) Установите терку (22) ұсатқышқа (21) немесе дракистерге арналған қондырманы (23) көкөніс турағыштың (20) корпусына орнатыңыз.
- Көкөніс турағыштың (20) корпусын, оны сағат тіліне қарсы толық бекітілгенге дейін бұраңыз (еттартқыштың жалпы түрінің суретін қар.).
- Желілік айыртетікті ашалыққа қосыңыз.
- Батырманы (8) басып құрылғыны іске қосыңыз.
- Жұмыс істегенде тек жеткізілім жинағына енетін итергішті (1) пайдаланыңыз; көкөністерді итеру үшін бөтен заттарды пайдалануға тыйым салынады, ешбір жағдайда көкөністерді қолмен итермеңіз.
- Көкөніс турағыш қондырмасын (20) шешу үшін корпуста (5) орналасқан бекіткіш батырмасын (4) басыңыз, оны сағат тілі бойынша бұраңыз және шешіңіз (еттартқыштың жалпы түрінің суретін қар.) и снимите.
- Жұмсақ көкөністерді, мысалы, қызандарды өңдеу үшін шнектің төмен айналу жылдамдығын таңдаңыз, ол үшін төмен жылдамдықты іске қосу батырмасын (6) басыңыз, батырмалардың көмескілеуі көктен қызылға ауысады.
- Жұмыс істеп болғаннан кейін батырманы (6) қайталап басып, шнектің айналуының төмен жылдамдығын сөндіріңіз, содан кейін батырманы (8) басып еттартқышты сөндіріңіз, және желілік баудың айыртетігін ашалықтан ажыратыңыз.

## ШЫРЫНСЫҚҚЫШ

- Конус тәрізді қондырма-сүзгішті (26) пластик шнекке (25) орнатыңыз, содан кейін оларды шырынсыққыш-қондырманың (24) корпусына орнатыңыз.
- Шығыңқыларды корпустағы ойықтармен сәйкестендіріп, корпусты қақпақпен (27) жабыңыз және оны сағат тіліне қарсы «CLOSE» күйіне бекіту үшін бұраңыз.
- Реттегіштегі көрсеткішті «0» таңбасымен сәйкестендіріп және сәл басып сығу реттегішін (28) шырынсыққыш қақпағына (27) орнатыңыз, оны сағат тіліне қарсы бұраңыз.
- Қондырма корпусын (24) корпустағы (5) ұяға сағат тіліне қарсы толық бекітілгенге дейін бұрап орнатыңыз, бұrandаны (14) соңына дейін бұраңыз (еттартқыштың жалпы түрінің суретін қар.).
- Азық-түлікке арналған астаушаны (2) орнатыңыз.
- Желілік айыртетікті ашалыққа қосыңыз.
- Батырманы (8) басып құрылғыны іске қосыңыз.
- Төмен жылдамдықты іске қосу үшін батырмасын (6) басыңыз, батырмалардың көмескілеуі көктен қызылға ауысады, бұл айналудың төмен жылдамдық режимі іске қосылғанын білдіреді.
- Жұмыс істегенде тек жеткізілім жинағына енетін итергішті (1) пайдаланыңыз; көкөністерді итеру үшін бөтен заттарды пайдалануға тыйым салынады, ешбір жағдайда көкөністерді қолмен итермеңіз.
- Сығу реттегішінің (28) 3 күйі бар. Қақпақта (27) сәйкес таңбалар салынған. Көкөністер немесе жемістердің түріне байланысты сығу дәрежесін реттеу үшін, реттегіш конус тәрізді қондырманың күйін, оны шнекке қысып «1» «2» «3» таңбаларына сәйкес өзгертеді.

## ЕТТАРТҚЫШТЫҢ КҮТІМІ

- Жұмыс істеп біткеннен кейін батырманы (8) басып еттартқышты сөндіру қажет, және желілік баудың айыртетігін ашалықтан ажырату қажет.
- Бекіткіш (4) батырмасын басыңыз, еттартқыш бастиегін сағат тілі бойынша бұраңыз және оны шешіңіз (еттартқыштың жалпы түрінің суретін қар.).

- Бұrandаны (14) бұрап алыңыз, орнатылған жабдықтарды шнектен (14) шешіңіз.
- Шнекті (11) еттартқыш бастиегінен (3) шығарыңыз.
- Шнектен тамақ қалдықтарын тазалаңыз.
- Еттартқыштың барлық жабдықтарын бейтарап жуғыш заты бар жылы сабынды суда жуыңыз, шайыңыз және құрастыру алдында жақсылап кептіріңіз.
- Жабдықтарды (1, 2, 15, 16, 17, 18, 19, 25, 26, 27, 28) ыдыс жуатын машинада жууға болады.
- Қондырмаларды (15, 16, 17, 18) итергіш (1) корпусында сақтауға болады (сур. А).
- Еттартқыш корпусын (5) дымқыл матамен сүртіңіз.
- Шырындарды сығуға арналған қондырмаларды жуу үшін корпуста (5) орналасқан бекіткіш (4) батырмасын басыңыз, еттартқыш бастиегін (3) сағат тілі бойынша бұраңыз және оны шешіңіз (еттартқыштың жалпы түрінің суретін қар.).
- Қақпақты (27) сағат тілі бойынша бұрап «OPEN» күйіне белгілеңіз, конус тәрізді қондырма-сүзгішті (26) және пластик шнекті (25) шығарыңыз.
- Сығу реттегішін (28) сағат тілі бойынша бұрап, оны «0» күйіне белгілеңіз және шешіңіз.
- Шнектен тамақ қалдықтарын тазалаңыз.
- Барлық жабдықтарды бейтарап жуғыш заты бар жылы сабынды суда жуыңыз, шайыңыз және құрастыру алдында жақсылап құрғатыңыз.
- Корпусты тазалау үшін еріткіштерді немесе қахайтын тазалағыш заттарды пайдалануға тыйым салынады.
- Еттартқыш корпусының ішіне сұйықтықтың тиюіне жол бермеңіз.
- Кепкен жабдықтарды сақтауға алып қойғанға дейін, торшаларды (10, 12) және пышақты (13) өсімдік майымен жағыңыз – осылайша олар тотығудан қорғалатын болады.

## ТЕХНИКАЛЫҚ СИПАТТАМАЛАР

Қоректендіру кернеуі: 220-240 В ~ 50/60 Гц  
Қуаты: 1500 Вт

*Өндіруші аспаптың дизайны мен техникалық сипаттамаларын алдын-ала хабарлаусыз өзгерту құқығын сақтайды.*

**Қызмет ету мерзімі - 5 жыл**

**Гарантиялық міндеттілігі**

Гарантиялық жағдайдағы қаралып жатқан бөлшектер дилерден тек сатып алынған адамға ғана беріледі. Осы гарантиялық міндеттілігіндегі шағымдалған жағдайда төлеген чек немесе квитанциясын көрсетуі қажет.



*Бұл тауар EMC – жағдайларға сәйкес келеді негізгі*

*Міндеттемелер 89/336/EEC*

*Директиваның ережелеріне енгізілген Төменгі Ережелердің Реттелуі (73/23 EEC)*

## MAȘINĂ DE TOCAT CARNE

### DESCRIERE

1. Împingător
2. Tavă pentru alimente
3. Corpul capului mașinii de tocat
4. Butonul fixatorului capului mașinii de tocat
5. Corp
6. Buton pornire viteză redusă
7. Buton pentru rotația în sens invers (REV)
8. Buton pornire/oprire
9. Buton pornire siguranță automată
10. Grilaj pentru tăiere medie
11. Șnec
12. Cuțit cruciform
13. Grilaj pentru tăiere măscată
14. Piulița capului mașinii de tocat
15. 16. Accesorii pentru umplerea cărnaților
17. 18. Accesorii pentru prepararea „kebbe”
19. Împingătorul dispozitivului de tăiere a legumelor
20. Corpul accesoriului de tăiere a legumelor
21. Accesoriu tocător
22. Răzătoare mare
23. Accesoriu pentru prepararea cartofilor „roști”
24. Corpul accesoriului storcător de fructe
25. Șnecul storcătorului de fructe
26. Accesoriu-filtru conic
27. Capac storcător de fructe
28. Reglaj stoarcere

### RECOMANDĂRI PRIVIND TEHNICA SECURITĂȚII

Pentru asigurarea unei exploatare sigure și eficiente a aparatului citiți cu atenție această instrucțiune. Chiar dacă știți cum funcționează aparatele de acest fel, vă rugăm cu insistență să citiți capitolul „Măsuri importante de siguranță”, precum și să respectați cu exactitate toate instrucțiunile. Păstrați această instrucțiune pentru consultări ulterioare.

### MĂSURI DE SIGURANȚĂ

Pentru a evita riscul incendiului, electrocutării sau altor traumatisme, atunci când folosiți mașina electrică de tocat carne respectați următoarele măsuri de siguranță:

- Înainte de prima folosire asigurați-vă că tensiunea sursei de alimentare corespunde cu tensiunea de funcționare a aparatului.

- Folosiți doar accesoriile prevăzute de producător.
- Pentru a nu vă electrocuta NU INTRODUCEȚI aparatul, cordonul de alimentare și fișa în apă sau alte lichide.
- Curățați corpul aparatului cu o cârpă umezită.
- Nu lăsați mașina de tocat fără supraveghere în timpul funcționării.
- Este necesară o atență supraveghere dacă în preajma aparatului conectat se află copii sau persoane cu abilități reduse.
- Acest aparat nu este destinat pentru folosire de către copii sau persoane cu dezabilități decât în cazul în care li se dau instrucțiuni corespunzătoare și clare cu privire la folosirea sigură a aparatului și despre riscurile care pot apărea în caz de folosire inadecvată de către persoana responsabilă de siguranța lor.
- Aparatul trebuie oprit, iar fișa scoasă din priză înainte de montare, demontare sau curățire.
- Nu așezați aparatul pe suprafețe fierbinți sau în apropierea acestora (aragaz, plită electrică sau cuptor încălzit).
- Mânuiți cu grijă cordonul de alimentare.
- Nu transportați aparatul folosind în acest scop cordonul de alimentare.
- Nu lăsați cordonul de alimentare să atârne de pe masă, sau să atingă suprafețe fierbinți.
- Nu scoateți fișa din priza de rețea trăgând de conductor.
- Nu cuplați și nu decuplați cordonul de alimentare cu mâinile ude pentru a nu vă electrocuta.
- Nu utilizați aparatul dacă este deteriorată fișa, cablul de alimentare, dacă există nereguli în funcționare, sau acesta a căzut de la înălțime, sau în caz de orice defecțiuni.
- Pentru reparația aparatului sau înlocuirea cordonului de alimentare apelați la un service autorizat.
- Mașina de tocat carne este destinată numai pentru utilizare casnică.

### FUNCȚII SPECIALE

**Viteză de lucru de bază și suplimentară** – viteza de lucru de bază este folosită pentru toate modurile de tocare a cărnii, viteza suplimentară este destinată pentru procesarea legumelor moi și boabelor cu sămburi, de exemplu, roșiilor, coacăzei roșii, murelor, afinelor etc. Pentru controlul vizual al vitezei fiecare regim are o iluminare dife-

rită a butoanelor de comandă: viteza de bază este însoțită de iluminare albastră, viteza suplimentară este însoțită de iluminare roșie.

**Funcția de rotație în sens invers (REVERSE)** – această funcție este destinată pentru îndepărtarea dopurilor formate în timpul prelucrării alimentelor.

**Tava pentru alimente** – asigură așezarea comodă a alimentelor în timpul prelucrării acestora și ușurează încărcarea alimentelor în pâlnia capului.

**Două grilaje cu orificii de dimensiuni diferite** - sunt destinate pentru grade diferite de mărunțire a alimentelor.

**Accesorii speciale** – pentru umplerea cârnaților și prepararea “kebbe”.

**Accesorii pentru stoarcerea sucului din legume și boabe**

Vă permite să preparați sucuri din legume moi și boabe cu sâmburi.

**Sistemul de protecție împotriva supraîncălzirii** – este destinat pentru protecția motorului electric de supraîncălzire și permite prelungirea duratei de funcționare a acestuia.

## ATENȚIE!

- Înainte de a conecta aparatul la rețea, asigurați-vă că acesta este oprit.
- Înainte de a tăia carnea asigurați-vă că ați înlăturat oasele și surplusurile de grăsime.
- Folosiți împingătorul care este livrat împreună cu produsul. Nu împingeți alimentele utilizând obiecte străine sau cu degetele.
- Nu introduceți corpul mașinii de tocat carne în apă sau alte lichide.
- Nu instalați grilajele (10, 13) și cuțitul (12) în timpul utilizării accesoriilor „kebbe” (17, 18) și accesoriilor pentru umplerea cârnaților (15, 16).
- Nu încercați să prelucrați în mașina de tocat carne produse alimentare cu fibre dure (ca de exemplu ghimberul sau hreanul).
- Nu forțați împingătorul atunci când împingeți carnea pentru a evita formarea dopurilor.
- În cazul în care o bucată rigidă a format un dop în interior și a dus la oprirea mișcării șnecului și a cuțitului, opriți imediat aparatul și înainte de a continua utilizarea, îndepărtați-o.
- La comutarea rotației în sens invers (REVERSE) opriți mașina de tocat carne apăsând butonul (8) și după o pauză de 5-6 secunde apăsați butonul (7) (REV).

## PREGĂTIREA PENTRU UTILIZARE

- Scoateți mașina de tocat carne și îndepărtați ambalajele, ștergeți corpul cu o cârpă umedă.
- Spălați piesele detașabile în apă caldă cu agent de curățare neutru, clătiți și uscați-le bine înainte de asamblare.

## UTILIZAREA MAȘINII DE TOCAT CARNE

(generalități)

- Mașina de tocat carne este destinată pentru prelucrarea cărnii fără oase numai în condiții casnice.
- Înainte de prima conectare asigurați-vă că tensiunea sursei de alimentare corespunde cu tensiunea de funcționare a aparatului.
- Asamblați aparatul și așezați-l pe o suprafață plană și uscată.
- Asigurați-vă că orificiile de ventilare de pe corp nu sunt blocate.
- Introduceți fișa de alimentare în priză.
- Așezați sub capul mașinii de tocat carne (3) un vas potrivit.
- Asigurați-vă că carnea este complet dezghețată, îndepărtați surplusul de grăsime și oasele, tăiați carnea în cuburi sau felii de așa mărime încât acestea să treacă liber în deschizătura tăvii (2).
- Porniți aparatul apăsând butonul (8).
- Fără a vă grăbi împingeți carnea în pâlnia capului mașinii de tocat carne (3) cu ajutorul împingătorului (1).
- Utilizați în timpul funcționării împingătorul (1) care este livrat împreună cu produsul.
- Nu utilizați careva obiecte pentru împingerea cărnii, nu împingeți carnea cu mâinile.
- Nu faceți eforturi excesive pentru a împinge carnea sau alte alimentele.
- În timpul tăierii cărnii alimentele se pot bloca în interior, pentru a înlătura blocajul folosiți funcția de rotație în sens invers (REV). Pentru aceasta opriți mașina de tocat carne apăsând butonul (8), așteptați până se va opri ansamblul motor, după care apăsați butonul (REV) (7), iar peste 5-6 secunde reveniți la regimul normal de funcționare.
- Timpul de funcționare continuă al aparatului nu trebuie să depășească 5 minute.
- După 5 minute de funcționare continuă opriți aparatul și permiteți-i să se răcească, după care puteți continua utilizarea acestuia.

## ROMÂNĂ/ MOLDOVENEASCĂ

- După utilizare opriți mașina de tocat carne apăsând butonul (8) deconectați-o de la rețea și numai după aceasta începeți demontarea acesteia.

### MĂRUNȚIREA CĂRNII

1. Introduceți șnecul (11) în corpul capului mașinii de tocat carne (3), instalați cuțitul cruciform (11), selectați grilajul necesar (10, 13) și instalați-l de asupra cuțitului aliniind canelura de pe grilaj cu ieșitura din corpul capului mașinii de tocat carne (3), strângeți piulița fără efort (14).

#### Atenție!

- **În cazul în care cuțitul nu este instalat corect (cu partea tăioasă spre șnec), acesta nu va efectua funcția de tăiere.**
  - **În timpul asamblării capului mașinii de tocat carne nu strângeți prea tare piulița (14), efectuați strângerea definitivă a piuliței (14) după montarea capului asamblat pe mașina de tocat carne.**
  - **Grilajele cu orificii mari (13) și medii (10) se potrivesc atât pentru prelucrarea cârnii crude, peștelui, câr și pentru alimentele preparate, legumelor, fructelor uscate, cașcavalului etc.**
2. Așezați capul asamblat al mașinii de tocat carne (3) în locașul corpului (5) și rotiți-l în sens contrar acelor de ceasornic până la fixare (vedeți desenul aspect general al mașinii de tocat carne).
  3. Strângeți bine piulița (14).
  4. Instalați pe pâlnia capului mașinii de tocat carne (3) tava pentru alimente (2).
  5. Introduceți fișa de alimentare în priză.
  6. Porniți mașina de tocat carne cu butonul (8).
  7. În timpul utilizării folosiți numai împingătorul (1).

#### Remarcă

- **Pentru eficientizarea procesului de prelucrare tăiați carnea în fâșii sau cuburi. Dezghețați carnea în prealabil.**
- **În timpul funcționării utilizați împingătorul din setul de livrare; nu utilizați alte obiecte pentru împingerea cârnii, nu împingeți carnea cu mâinile.**

8. De îndată ce ați terminat folosirea deconectați aparatul apăsând butonul (8), deconectați-l de la sursa de alimentare și numai după aceasta începeți demontarea acestuia.
9. Pentru a scoate capul mașinii de tocat carne apăsați butonul fixatorului (4), amplasat pe corp (5), rotiți capul mașinii de tocat carne (3) în sensul acelor de ceasornic și demontați-l (vedeți desenul aspect general al mașinii de tocat carne).
10. Pentru a desface capul mașinii de tocat carne deșurubați piulița (14) și scoateți din corpul capului mașinii de tocat carne grilajul (10 sau 13), cuțitul (12) și șnecul (11).

#### Atenție!

- În cazul în care în timpul tăierii cârnii alimentele s-au blocat în interior, utilizați funcția de rotație în sens invers; pentru aceasta opriți mașina de tocat carne, apăsând butonul (8), așteptați până se opresc rotațiile ansamblului motor și apăsați butonul (REV) (7), iar peste 5-6 secunde reveniți la regimul normal de funcționare.
- Dacă în timpul funcționării rotațiile șnecului (11) și a cuțitului (12) s-au întrerupt brusc:
  - **opriți mașina de tocat carne apăsând butonul (8) și scoateți fișa de alimentare din priză;**
  - **permițeți ansamblului motor să se răcească aproximativ 20-30 minute;**
  - **verificați starea siguranței automate apăsând butonul pornire (9);**
  - **porniți din nou mașina de tocat carne.**

### UMPLEREA CÂRNAȚILOR

1. Preparați tocătura.
2. Așezați șnecul (11) în corpul capului mașinii de tocat carne (3), așezați pe șnec accesoriile pentru umplerea cârnaților (15, 16); aliniind ieșiturile de pe accesoriu (15) cu canelurile de pe capul mașinii de tocat carne (3) și strângeți ușor piulița (14).
3. Așezați capul asamblat al mașinii de tocat carne în locașul de pe corp (5), rotind-o în sens contrar acelor de ceasornic până la fixare (vedeți desenul aspect general al mașinii de tocat carne), strângeți bine piulița (14).
4. Așezați tava pentru alimente (2).
5. Puneți umplutura preparată pe tava pentru alimente (2).

6. Pentru prepararea cârnaților utilizați intestine naturale, lăsați-le în prealabil într-un vas cu apă caldă pentru 10 minute.
7. Trageți intestinul înmuaiat peste accesoriul (16) și legați la capăt cu un nod.
8. Introduceți fișa de alimentare în priză.
9. Porniți mașina de tocat apăsând butonul (8).
10. Pentru introducerea tocăturii utilizați împingătorul (1), pe măsura umplerii intestinului mișcați-l de pe accesoriul (16), dacă intestinele se usucă udați-le cu apă.
11. După utilizare opriți mașina de tocat carne apăsând butonul (8), deconectați-o de la rețea, și numai după aceasta începeți dezasamblarea acesteia.
12. Pentru a scoate capul mașinii de tocat apăsați butonul fixatorului (4), amplasat pe corp (5), rotiți capul în sensul acelor de ceasornic (vedeți desenul aspect general al mașinii de tocat carne) și demontați-l.
13. Deșurubați piulița (14) și desfaceți capul mașinii de tocat carne.
9. Tăiați tubușoarele în bucăți de mărimea necesară.
10. Imediat după utilizare opriți mașina de tocat carne apăsând butonul (8), deconectați-o de la rețea și numai după aceasta începeți dezasamblarea acesteia.
11. Pentru a scoate capul mașinii de tocat carne apăsați butonul fixatorului (4), amplasat pe corp (5), întoarceți capul (3) în sensul acelor de ceasornic (vedeți desenul aspect general al mașinii de tocat carne) și scoateți-l.
12. Deșurubați piulița (14) și dezamblați capul mașinii de tocat carne.

## REȚETĂ

### (Umplutura)

Carne de ovine	100 g
Ulei de măsline	1, 1/2 lingură de masă
Ceapă (tocată mărunt)	1, 1/2 lingură de masă
Condimente	după gust
Sare	1/4 de linguriță
Făină	1, 1/2 lingură de masă

- Treceți carnea de ovine prin mașina de tocat carne o dată sau de două ori.
- Prăjiți ceapa în ulei de măsline până la culoarea aurie și adăugați-o în carnea tocată, după care adăugați condimentele, sarea și făina.

### (Înveliș)

Carne macră	450 g
Făină	150-200 g
Condimente	după gust
Nucșoară	1 buc.
Piper roșu măcinat	după gust
Piper	după gust

- Carnea se trece prin mașina de tocat de trei ori, se mărunțește nucșoara, după care se amestecă toate componentele.
- O cantitate mai mare de carne și o cantitate mai mică de făină în învelișul exterior asigură un gust și o consistență mai bună a produsului preparat.

## UTILIZAREA ACCESORIULUI „KEBBE”

Kebbe este o mâncare tradițională în Orientul Apropiat preparată din carne de miel, făină de grâu și condimente care sunt tocate împreună pentru a se obține baza pentru prepararea tubușoarelor. Tubușoarele sunt umplute cu umplutură și se prăjesc în friteuză.

Preparând diverse umpluturi pentru tubușoare puteți găti bucate din cele mai delicioase.

1. Preparați baza pentru înveliș.
2. Așezați șneclul (11) în corpul capului mașinii de tocat (3), montați pe șnecl (11) accesoriile „kebbe” (17, 18); aliniați ieșiturile de pe accesoriu (17) cu canelurile de pe capul mașinii de tocat (3), și strângeți ușor piulița (14).
3. Instalați capul asamblat al mașinii de tocat în locașul de pe corp (5), rotindu-l în sens invers acelor de ceasornic până la fixarea completă (vedeți desenul aspect general al mașinii de tocat carne), strângeți bine piulița (14).
4. Așezați tava pentru alimente (2).
5. Așezați baza pregătită pentru înveliș pe tava de alimente (2).
6. Introduceți fișa de alimentare în priză.
7. Porniți mașina de tocat carne cu butonul (8).
8. Pentru introducerea bazei pentru înveliș folosiți împingătorul (1).

## ROMÂNĂ/ MOLDOVENEASCĂ

- Tubușoarele preparate sunt umplute cu umplutură, se strâng la capete și se modelează după dorință.
- Tubușoarele se prăjesc în friteuză.

### Remarcă:

**Accesoriile pentru prepararea cârnaților (15,16) și accesoriile „kebbe” (17,18) pot fi păstrate după utilizare în împingător (1) (fig. A).**

### ACCESORIU PENTRU TĂIEREA LEGUMELOR

- Instalați răzătoarea (22) accesoriul tocător (21) sau accesoriul pentru cartofi „roști” (23) în corpul accesoriului de tăiat legume (20).
- Instalați corpul accesoriului de tăiere a legumelor (20), rotindu-l în sens invers acelor de ceasornic până la fixarea completă (vedeți desenul aspect general al mașinii de tocat carne).
- Introduceți fișa de alimentare în priză.
- Porniți mașina de tocat carne apăsând butonul (8).
- Utilizați în timpul funcționării împingătorul (19) care este livrat împreună cu aparatul; nu folosiți obiecte străine pentru împingerea legumelor, nu împingeți legumele cu mâinile.
- Pentru a scoate accesoriul de tăiere a legumelor (20) apăsați butonul fixatorului (4) amplasat pe corp (5), rotiți-l în sensul acelor de ceasornic (vedeți desenul aspect general al mașinii de tocat carne) și scoateți-l.
- Pentru a procesa legumele moi, de exemplu roșiile, folosiți viteza redusă de rotație a șnecului, pentru aceasta apăsați butonul pornire viteză redusă (6), iluminarea butoanelor se va schimba din albastră în roșie.
- După utilizare opriți viteza redusă de rotație a șnecului apăsând din nou butonul (6), după care opriți mașina de tocat carne apăsând butonul (8) și scoateți fișa de alimentare din priză.

### STORCĂTORUL

- Instalați accesoriul-filtru în formă de con (26) pe șneclul din plastic (25), după care instalați-l în corpul accesoriului-storcător (24).
- Închideți corpul cu capacul (27) aliniind ieșiturile cu adâncituri de pe corp (24) și rotiți-l

în sens contrar acelor de ceasornic în poziția „CLOSE” până la fixare.

- Instalați reglorul storcătorului (28) pe capacul storcătorului (27), aliniind indicatorul de pe reglorul cu simbolul „0” și apăsând ușor, rotiți-l în sens contrar acelor de ceasornic.
- Instalați corpul accesoriului (24) în locașul corpului (5) și rotiți-l în sens contrar acelor de ceasornic până la fixare (vedeți desenul aspect general al mașinii de tocat carne).
- Așezați tava pentru alimente (2).
- Introduceți fișa de alimentare în priză.
- Porniți mașina de tocat carne apăsând butonul (8).
- Porniți viteza redusă apăsând butonul (6), iluminarea butoanelor se va schimba din albastră în roșie indicând că este pornit regimul de rotație redusă.
- În timpul utilizării folosiți doar împingătorul (1), care este parte componentă a setului; nu folosiți obiecte străine pentru a împinge legumele, nici într-un caz nu împingeți legumele cu mâna.
- Reglorul de stoarcere (28) dispune de 3 poziții de lucru. Pe capac (27) sunt indicate simbolurile respective. Pentru a regla gradul de stoarcere, în funcție de tipul legumelor sau fructelor, reglorul schimbă poziția accesoriului conic în corespundere cu simbolurile „1” „2” „3”, lipindu-l de șnecl.

### ÎNTREȚINEREA MAȘINII DE TOCAT CARNE

- După utilizare opriți mașina de tocat apăsând butonul (8) și scoateți fișa de alimentare din priză.
- Apăsați butonul fixatorului (4), rotiți capul mașinii de tocat carne în sensul acelor de ceasornic și scoateți-l (vezi desenul aspect general al mașinii de tocat carne).
- Deșurubați piulița (14) și demontați accesoriile instalate (15, 16 sau 17, 18), sitele (10 sau 13), cuțitul (12) de pe șnecl (11).
- Scoateți șneclul (11) din capul mașinii de tocat carne (3).
- Îndepărtați resturile de alimente de pe șnecl.
- Accesoriile (1, 2, 15, 16, 17, 18, 19, 25, 26, 27, 28) pot fi spălate în mașina de spălat vase.
- Pentru o păstrare mai comodă și compactă puteți păstra accesoriile (15, 16, 17, 18) în interiorul împingătorului (1) (fig. A).



- Ștergeți corpul mașinii de tocat carne (5) cu o cârpă umedă.
- Pentru a spăla accesoriile pentru stoarcerea sucurilor apăsați butonul fixatorului (4), amplasat pe corp (5), rotiți-l în sensul acelor de ceasornic și scoateți-l (vezi desenul aspect general al mașinii de tocat carne).
- Rotiți capacul (27) în sensul acelor de ceasornic fixându-l în poziția „OPEN”, extrageți accesoriul-filtru conic (26) și șnecul din plastic (25).
- Rotiți reglorul stoarcerii (28) în sensul acelor de ceasornic, fixându-l în poziția „0” și scoateți-l.
- Îndepărtați resturile de alimente de pe șnecl.
- Spălați toate accesoriile mașinii de tocat carne în apă caldă cu agent de curățare neutru, clătiți și înainte de asamblare uscați-le bine.
- Nu utilizați pentru curățarea corpului mașinii de tocat carne (5) solventi sau agenți de curățare abrazivi.
- Nu permiteți pătrunderea lichidelor în interiorul corpului mașinii de tocat carne.
- Înainte de a depozita accesoriile uscate ungeți grilajele (10, 13) și cuțitul (12) cu ulei vegetal pentru a le proteja de oxidare.

### SPECIFICAȚII TEHNICE

Tensiune de alimentare: 220-240 V ~50/60 Hz  
Putere maximă: 1500 W

*Producătorul își rezervă dreptul să modifice designul și caracteristicile produsului fără preaviz.*

*Durată de funcționare – 5 ani*

### Gwarancji

Szczegółowe warunki gwarancji, można otrzymać w punkcie sprzedaży, w którym nabyliście Państwo dane urządzenie. W przypadku zgłoszenia roszczeń z tytułu zobowiązań gwarancyjnych, należy okazać rachunek lub fakturę poświadczające zakup.



*Dany wyrób jest zgodny z wymaganiami odnośnie elektromagnetycznej kompatybilności, przewidzianej dyrektywą 89/336/EEC Rady Europy oraz przepisem 73/23 EEC o niskowoltowych urządzeniach.*

## MLÝNEK NA MASO

### POPIS

1. Zdvíhátko
2. Koryto pro výrobu
3. Korpus hlavy mlýnku na maso
4. Připínáček bočního držáku hlavy mlýnku na maso
5. Korpus
6. Zapínací tlačítko nižší rychlosti
7. Zapínací tlačítko zpětného otáčení (REV)
8. Připínáček zapnutí/vypnutí
9. Zapínací tlačítko automatické pojistky
10. Rošt pro střední sekání
11. Šnek
12. Křížový nůž
13. Rošt pro hrubě sekání
14. Matice hlavice mlýnku
15. 16. Nástavce pro nacpávání špekáčků
17. 18. Nástavce pro přípravování «kubbe»
19. Zdvíhátko řezačky zeleniny
20. Korpus nástavce řezačky zeleniny
21. Struhadlo
22. Velké struhadlo
23. Nástavec pro přípravování bramboráků
24. Korpus nástavce – odšťavňovače
25. Šnek odšťavňovače
26. Konický nástavec - filtr
27. Víko odšťavňovače
28. Regulátor lisování

### REFERENCE PO BEZPEČNOSTNÍ TECHNICE

Pro zajištění efektivního i bezpečného provozování přístroje, pozorně přečtete tuto instrukci. Dokonce, i když vy znáte s prací podobného příboru, my důrazně jsme prosím vás přečíst část „Důležitější bezpečnostní opatření“, a také v přesnosti následovat vším směrnicím. Chraňte dané vedení na vhodném místě, použijte dále jako referenční materiál.

### BEZPEČNOSTNÍ OPATŘENÍ

Pro snížení rizika požáru, úrazu elektrického proudu nebo jiných trauma, během práci s příborem vy musíte držet následujících bezpečnostních opatření:

- Před prvním zapnutím se přesvědčte, že napětí v elektrické síti odpovídá pracovnímu napětí přístroje.
- Použijte jen příslušenství, patřící do kompletní dodávky.

- V zamezení úhozu elektrickým proudem, **NIKDY NE PONOŘUJTE** přístroj, síťovou šňůru i vidlici síťové šňůry ve vodu nebo další kapaliny.
- Do čištění pouzdra použijte vlhkou látku.
- Nikdy ne nenechávejte pracující přístroj bez dozoru.
- Buďte zejména pozorný, pokud vedle s pracujícím mlýnkem na maso jsou děti nebo osoby s omezenými možnostmi.
- Mlýnek na maso ne slouží pro použití dětí i lidí s omezenými možnostmi, pokud jen jim ne dány vyhovující i jasny jim předpisy o bezpečném používání vybavení i těch nebezpečí, které mohou vznikat při jeho nesprávném používání tváří, odpovídající za jejich bezpečnost.
- Před montáží, demontáží, a také před čištěním mlýnku na maso třeba vypnout její a vytáhnout síťovou zástrčku ze zásuvky.
- Nelze stavět přístroj na hořký povrch nebo vedle s takovým (plynový, elektrický sporák nebo hřející trouba na pečení).
- Pečlivě se obračtejte se šňůrou napájení.
- Nesmí se využívat síťovou šňůru pro přenos přístroje.
- Ne přistoupíte, aby síťová šňůra skláněla se ze stolu, a také pozorujte, aby ona ne týkala se teplých povrchů.
- Při odpojení vidlice síťové šňůry od elektrické zástrčky držíte za zástrčku, ale ne za samu šňůru.
- Ne připojujete i ne odpojujete síťovou šňůru mokřým rukama, to je může přivést k úrazu elektrickým proudem.
- Nelze využívat příborů s poškozenou síťovou šňůrou nebo síťovou zástrčkou, a také v tom případě, pokud přístroj vynechává, nebo pokud on upadnul s výšky, nebo byl poškozený jiným způsobem.
- Pro opravu přístroje nebo výměnu síťové šňůry obraťte se v autorizované servisní středisko.
- Mlýnek na maso určeny pro použití jenom v domácích podmínkách.

### ODLIŠNOSTI MLÝNKA DO MASA

**Hlavní a dodatková pracovní rychlosti** – hlavní pracovní rychlost pro všechny způsoby rozměňování masa, dodatková rychlost určena pro

přetvařování měkkých zelenin i bobule, například rajčat, okurky, ostružiny, borůvky atd. Do vizuální kontrole rychlosti každý režim má různé nasvícení ovladačích tlačítek: hlavní pracovní rychlost doprovázená modrým nasvícením, dodatková rychlost má červené nasvícení.

## **Funkce zpětní rotace**

**(REVERSE)** – daná funkce je určena pro likvidaci ucpaní, vzniklého během přetvařování výrobků.

**Koryto pro výrobky** – zabezpečuje výhodné rozmístění výrobků během jejich přetvařování a usnadňuje nakládání produktů v hrdle hlavičky.

**Dvě mříže s otvory různě velikosti** - jsou určeny pro různé stupně mletí výrobků.

**Speciální příslušenství** – jsou určeny pro různé stupně mletí výrobků «kubbe».

## **Nástavec do lisování šťávy z ovoce a zeleniny**

Umožní Vám připravit šťávu z měkkých zelenin i bobule.

**Systém zajištění od přehřání** - určený pro ochranu elektromotoru od přehřání a dovoluje prodloužit čas její práce.

## **POZOR!**

- Před připojením do sítě přesvědčte se, že vybavení je vypnuté .
- Před nasečením masa určitě se přesvědčte v tom, že všichni kosti i přebytek tuku odstraněni.
- Uživujte zdvihátka, které patří do kompletu dodávky. Ne protlačujte potraviny jakými nebo předmětu nebo prsty.
- V žádném případě ne ponořujte těleso mlynku na maso ve vodu nebo další kapaliny.
- Během použití hubice « kubbe» (17, 18) nástavce pro naplnění špekáček (15, 16) nelze montovat mříže (10, 13) i nůž (12).
- Ne pokoušejte přepracovávat mlynkem na maso potraviny s tvrdými vlákny (například, zázvor nebo křen).
- V zamezení vytvoření zacpání ne přikládejte přehnaných úsilí k zdvihátku (1), protlačující maso.
- Pokud kterýkoliv zpříčený houževnatý kus přivádí k zastavení otáčení šneku i noži, bez meškání vypnete přístroj i předtím jak nastavit práci, odklidíte jeho.
- Při přepnutí na zpětné otáčení (REVERSE)

vypnete mlynek, stisknutím tlačítka (8) i, po pauze 5-6 vteřin, stisknete tlačítka (7) (REV).

## **PŘÍPRAVA MLYNKU NA MASO**

- Vytáhnete mlynek na maso i odklidíte všichni balicí materiály, propasírujte těleso vlhkou látkou.
- Všichni snímatelní části vysladíte teplou vodou s neutrálním pracím prostředkem, opláchnete i před montáží pečlivě usušíte.

## **PRÁCE S MLYNKEM NA MASO**

(všeobecné stanovení)

- Mlynek na maso určený pro přetvařování masa bez kosti jenom v domácnosti.
- Před prvním spuštěním se přesvědčte, že napětí v elektrické síti odpovídá pracovnímu napětí přístroje.
- Smontujte přístroj i vložte na rovný suchý povrch.
- Přesvědčte se v tom, že ventilační otvory na pouzdru nejsou blokovány.
- Vložte zástrčku síťové šňůry v zásuvku.
- Umístěte pod hlavičku mlynku na maso (3) vyhovující nádobí.
- Přesvědčte se v tom, že maso plně rozmrazené, odklidíte přebytek tuku i kosti, pokrájíte maso na kostky nebo pruhy takové velikosti, aby oni svobodně plynuli v otvor koryta (2).
- Zapnete vybavení stisknutím tlačítka (8).
- Pozvolna protlačujte maso v hrdlo hlavičky mlynku na maso (3) pomocí zdvihátka (1).
- Použijte během práce zdvihátka (1), který patří do kompletu.
- Nesmí se použít na protlačovaná masa veškeré předměty, v žádném případě ne protlačujte maso rukama.
- Ne přikládejte přehnaných úsilí, protlačující maso nebo jiné výrobky.
- Během sekání masa může utvářet se zácpa výrobků. Aby odstranit povstalou zácpu třeba využít funkci reversu (REV). Proto vypnete mlynek tlačítkem (8), dočkejte úplného zastavení elektromotoru, poté stisknete tlačítka (REV) (7), přes 5-6 sekund znovu odvedte k normálnímu provoznímu režimu.
- Čas nepřerušované práce přístroje nesmí být převyšovat 5 minut.
- Za 5 minut nepřerušované práce třeba vy-

pnout přístroj i dát mu ochladit se, a poté lze navázat práci.

- Jakmile vy dokončete práci, vypnete mlýnek na maso, ustavením tlačítka (7) odpojte její od sítě, i jen nato přistoupíte k její demontáži.

## ROZMĚLNĚNÍ MASA

1. Vložte šnek (11) v těleso hlavice mlýnku na maso (3), vložte křížový nůž (11), požadovanou mříž (10, 13) i vložte její přes nůž, sloučiv drážku na mříž s výběžkem na hlavici mlýnku na maso (3), stahujte bez snažení matici (14).

### Pozor!

- **Pokud nůž bude namontovaný nesprávně (řeznou stranou směrem k šnekovému dopravníku), on nebude plnit funkci sekání.**
  - **V době montáži hlavici mlýnku na maso ne stahujte pevně matici (14), konečné přitažení matice (14) provádíte za postroje smontované hlavy na mlýnek na maso.**
  - **Rošt s velkými otvory (13) i středními otvory (10) chodí se pro přetvarování surového masa, zelenin, sušené ovoce, sýru, ryby, tak jak připraveného masa, ryby atd.**
2. Vložte smontovanou hlavici mlýnku na maso (3) i obraťte její proti směru hodinových ručiček do fixace (viz. obrázek celkového pohledu mlýnku na maso).
  3. Konečně zatáhněte matici (14).
  4. Na hrdlo hlavici mlýnku na maso (3) vložte koryto pro výrobky (2).
  5. Vložte síťovou vidlici v zásuvku.
  6. Zapněte mlýnek na maso tlačítkem (8).
  7. Uprostřed práce použijte jen zdvihátko (1).

### Poznámka

- **Pro zlepšení procesu přetvarování masa krojíte jeho do proužků nebo kostek. Mražený maso nutno plně odmrazit.**
- **Použijte během práce zdvihátko, které patří do kompletu; nesmí se použít na protlačování masa veškeré předměty, v žádném případě ne protlačujte maso rukama.**

8. Jakmile vy skončíte práce, vypnete mlýnek, stisknutv tlačítko (8) a odpojte její od sítě, jen pote přistoupíte do její demontování.
9. Pro zrušení hlavice mlýnku na maso klepněte tlačítko bočního držáku (4), obraťte hlavice mlýnku na maso (3) ve směru hodinových ručiček i svlečte její (viz. obrázek celkového pohledu mlýnku na maso).
10. Pro demontáž hlavici mlýnku na maso odšroubujte matice (14) i vyndejte z pouzdra hlavici mlýnku na maso namontovaný rošt (10 nebo 13), nůž (12) a šnek (11).

### Pozor!

- **Jestli během sekání masa vznikla zácpa výrobku, použijte funkci reversu; proto vypnete mlýnek stisknutím tlačítka (8), dočkejte zastavení rotace motoru a stisknete tlačítko (REV) (7), a přes 5-6 sekund znovu odved'te k normálnímu provoznímu režimu.**
- **Pokud během provozu rotace šneku (11) a nože (12) naráz zastavila se:**
  - odpojte mlýnek, stisknutv tlačítko (8), i vytáhnete síťovou zástrčku ze zásuvky;
  - dejte elektromotoru ochladnout přes cca 20-30 minut;
  - zkontrolujte stav automatické pojistky, klepnuv do tlačítka zapojení (9);
  - opětovně zapojte mlýnek.

## NACPÁVKA ŠPEKÁČEK

1. Připravte nádivku.
2. Vložte šnek (11) v těleso hlavice mlýnku na maso (3), vložte na šnek nástavce pro ucpávku špekáčků (15, 16); pozorujte aby drážka na nástavci (15) sloučila se s výběžkem na pouzdru hlavici mlýnku (3), i lehce stahujte matici (14).
3. Vložte smontovanou hlavici mlýnku na maso, otočiv její proti směru hodinových ručiček do celkového upevnění (viz. obrázek celkového pohledu mlýnku na maso), definitivně zašroubujte matici (14).
4. Vložte koryto pro výrobky (2).
5. Vykład'te připravenou nádivku na koryto pro výrobky (2).
6. Použijte pro připravení špekáčků přirozený obal, předběžně uložte její do nádoby s teplou vodou na 10 minut.

- Napněte rozměknutý obal na nástavec (16) i ovažte na konci obalu uzel.
- Vložte síťovou vidlici v zásuvku.
- Zapněte mlýnek na maso tlačítkem (8).
- Pro dodávku hotové nádivky použijte zdvihátko (1), podle naplnění obalu hýbejte její s nástavce (16), podle vysychání obalu smáčívajíc její vodou.
- Jakmile vy skončíte práce, vypnete mlýnek, stisknuv tlačítko (8) a odpojte její od sítě, jen pote přistoupíte do její demontování.
- Pro zrušení hlavice mlýnku na maso klepněte tlačítko bočního držáku (4), obraťte hlavicí ve směru hodinových ručiček i svlečte její (viz. obrázek celkového pohledu mlýnku na maso) i svlečte její.
- Odšroubujte matici (14) i demontujte hlavicí mlýnku na maso.

## VYUŽITÍ NÁSTAVCE « KUBBE »

Kubbe – tradiční arabská potravina, kterou připravuju z masa jehně, pšeničné mouky a koření, které sekané spolu, aby zhotovit základ pro zhotovení dutých trubiček. Trubičky plní nádivkou a fritují. Experimentujíc se nadívanou pro trubičky, lze chystat různé pochutiny.

- Připravte základ pro obal.
- Vložte šnek (11) v těleso hlavice mlýnku na maso (3), vložte na šnek nástavce kubbe (17, 18); pozorujte aby drážka na nástavci (15) sloučila se s výběžkem na pouzdru hlavicí mlýnku (3), i lehce stahujte matici (14).
- Vložte smontovanou hlavicí mlýnku na maso, otočiv její proti směru hodinových ručiček do celkového upevnění (viz. obrázek celkového pohledu mlýnku na maso), definitivně zašroubujte matici (14).
- Vložte koryto pro výrobky (2).
- Vyklad'te hotový základ pro obal na koryto pro výrobky (2).
- Vložte síťovou vidlici do zásuvky.
- Zapněte mlýnek na maso tlačítkem (8).
- Pro podávání hotových test použijte zdvihátko (1).
- Řežte připravena trubička na požadovanou délku.
- Jakmile vy skončíte práce, vypnete mlýnek, stisknuv tlačítko (8) a odpojte její od sítě, jen pote přistoupíte do její demontování.
- Pro zrušení hlavice mlýnku na maso klepně-

te tlačítko bočního držáku (4), obraťte hlavicí ve směru hodinových ručiček i svlečte její (viz. obrázek celkového pohledu mlýnku na maso) i svlečte její.

- Odšroubujte matici (14) i demontujte hlavicí mlýnku na maso.

## NAVOD

### (Nádivka)

Skopové	100 g
Olivový olej	1, 1/2 jídelní lžíce
Kuchyňská cibule (mělce nakrouhat)	1, 1/2 jídelní lžíce
Koření	Dle chuti
Sůl	1/4 lžičky
Mouka	1, 1/2 jídelní lžíce

- Skopové nutno rozemlít v mlýnku na maso jeden nebo dvakrát.
- Kuchyňská cibule opéká v oleji do hnědé barvy, potom dodávám sékané skopové maso, všichni koření, sůl i mouku.

### (Obal)

Libové maso	450 g
Mouka	150-200 g
Koření	dle chuti
Muškatový ořech	1 kus
Červený mletý pepř	dle chuti
Pepř	dle chuti

- Maso drobím v mlýnku na maso třikrát, stejně tak muškátový ořech, potom mísí všichni prvky v číši.
- Větší množství masa i méně množství mouky ve venkovní membráně zabezpečuju lepší konsistenci i vkus hotového výrobku.
- Připravené trubička naplňuje nádivkou, svírám po stranách, jim přidávám požadovaný tvar.
- Připravuje trubička ve fritě.

### Poznámka:

**Nástavce do přípravování špekáčků (15, 16) i nástavce pro «kubbe» (17, 18) za vykořisťování je možné uschovávat v zdvihátku (1) (obr. A).**

## ŘEZAČKA ZELENINY

- Vložte struhadlo (22) kruhadlo (21) nebo nástavec pro bramboráky (23) do tělesa řezačky (20).
- Vložte těleso řezačky (20), otočiv jeho proti směru hodinových ručiček do celkového upevnění (viz. obrázek celkového pohledu mlýnku na maso).
- Vložte síťovou zástrčku v zásuvku.
- Zapněte mlýnek na maso tlačítkem (8).
- Při práci používejte jen zdvihátko (19), z kompletu, nesmí se použít na protlačování zelenin nepovolané předměty, v žádném případě ne protlačujte zeleniny rukama.
- Pro zrušení nástavce řezačky (20) klepněte tlačítko bočního držáku (4) usázené na pouzdru (5), obraťte její ve směru hodinových ručiček (viz. obrázek celkového pohledu mlýnku na maso) i s vlečte.
- Pro zpracovávání měkkých zelenin, například rajčat, užívejte sníženou rychlost rotace šneku, proto stisknete tlačítko zapojení snížené rychlosti (6), nasvícení změní se s modrého do červeného.
- Za skončení provozu odpojte sníženou rychlost rotace šneku opětovným stisknutím tlačítka (6), poté vypnete mlýnek tlačítkem (8), a vytáhnete zástrčku kabelu ze zásuvky.

## ODŠTAVNOVAČ

- Vložte konický nástavec-filtr (26) na plastový šnek (25), poté vložte jejich do pouzdra nástavce - odšťavňovače (24).
- Zakryjte korpus víkem (27), sloučiv výběžky s drážky (24) i obraťte proti směru hodinových ručiček v polohu «CLOSE» pro upevnění.
- Ustanovte regulátor lisování (28) na víko odšťavňovače (27), sloučiv šipku na regulátoru s znakem «0» i lehce stisknuv obraťte proti směru hodinových ručiček.
- Vložte pouzdro nástavce (24) do hnízda korpusu (5), i obraťte proti směru hodinových ručiček do úplného upevnění (viz. obrázek celkového pohledu mlýnku na maso).
- Vložte koryto pro přísady (2).
- Vložte síťovou zástrčku do zásuvky.
- Zapněte mlýnek tlačítkem (8).
- Spouštíte sníženou rychlost, stisknuv tlačítko (6), přitom nasvícení změní se z modrého do červeného, ukazujíc, že je zapojený režim snížené rychlosti rotace.

- Během práce používejte jen zdvihátko (19), z kompletu, nesmí se použít na protlačování zelenin nepovolané předměty, v žádném případě ne protlačujte zeleniny rukama.
- Regulátor lisování (28) má 3 provozních pozice. Na víku (27) označené odpovídající značky. Pro regulaci úrovně lisování, ve vztahu s druhým ovoce nebo zelenin, regulátor mění polohu konického nástavce v souladu se značkami «1» «2» «3», přitlačujíc je do šneku.

## OBSLUHA MLÝNKU NA MASO

- Za skončení práce třeba vypnout mlýnek na maso, klepnuv do tlačítka (8), i vytáhnout zástrčku síťové šňůry ze zásuvky.
- Klepněte tlačítko bočního držáku (4), obraťte hlavice mlýnku na maso ve směru hodinových ručiček i s vlečte její (viz. obrázek celkového pohledu mlýnku na maso).
- Odšroubujte matice (14) a s vlečte nástavce (15, 16 nebo 17, 18), rošty (10 nebo 13), nůž (12) z šneku (11).
- Vytáhnete šnek (11) z hlavice mlýnku (3).
- Odstraní se šneku pozůstatky výrobků.
- Příslušenství (1, 2, 15, 16, 17, 18, 19, 25, 26, 27, 28) lze myt v myčce.
- Pro pohodlí a kompaktnosti uschování nástavce (15, 16, 17, 18) lze chovat uvnitř zdvihátka (1) (obr. A).
- Prošlapejte těleso mlýnku na maso (5) vlhkou látkou.
- Pro mytí nástavce do lisování klepnete tlačítko držáku (4), na pouzdru (5), obraťte její ve směru hodinových ručiček a sundejte (viz. obrázek celkového pohledu mlýnku).
- Obrat'te víko (27) ve směru hodinových ručiček ustaviv její v pozici «OPEN», vytáhnete konický nástavec - filtr (26) i plastový šnek (25).
- Obrat'te regulátor lisování (28) ve směru hodinových ručiček, ustaviv její v poloze «0» i odstraníte.
- Odstraní se šneku pozůstatky výrobků.
- Promyjte všichni příslušenství mlýnku na maso v teple mydlinové vodě s neutrálním mycím prostředkem i dejte jim vyschnout před montováním.
- Nesmí se využít pro mytí pouzdra (5) rozpouštědla nebo brousící čistící prostředky.
- Ne přistupujte zásahu kapaliny dovnitř pouzdra mlýnku na maso.

- Předtím jak uklidit proschlé příslušenství na uschování, smažte rošty (10, 13) i nůž (12) rostlinným oleji - tak oni budou chráněny od oxidací.

## TECHNICKÁ DATA

Napětí napájení: 220-240 V ~50/60 Hz

Nejvyšší výkon: 1500 W

*Výrobce zachovává za sebou práva měnit dizajn i technické charakteristiky přístroje bez předběžného uvědomení.*

*Životnost – 5 let*

## Záruka

Podrobné záruční podmínky poskytne prodejce přístroje. Při uplatňování nároků během záruční lhůty je třeba předložit doklad o zakoupení výrobku.



*Tento výrobek odpovídá požadavkům na elektromagnetickou kompatibilitu, stanoveným direktivou 89/336/EEC a předpisem 73/23/EEC Evropské komise o nízkonapěťových přístrojích.*

## М'ЯСОРУБКА

### ОПИС

1. Штовхач
2. Лоток для продуктів
3. Корпус голівки м'ясорубки
4. Фіксатор голівки м'ясорубки
5. Корпус
6. Кнопка включення зниженої швидкості
7. Кнопка включення зворотного обертання (REV)
8. Кнопка включення / відключення
9. Кнопка включення автоматичного запобіжника
10. Решітка для середньої рубки
11. Шнек
12. Хрестоподібний ніж
13. Решітка для великої рубки
14. Гайка голівки м'ясорубки
15. 16. Насадки для набивання ковбасок
17. 18. Насадки для приготування «кеббе»
19. Штовхач овочерізки
20. Корпус насадки овочерізки
21. Шинковка
22. Велика терка
23. Насадка для приготування дерунів
24. Корпус насадки-соковижималки
25. Шнек соковижималки
26. Конічна насадка-фільтр
27. Кришка соковижималки
28. Регулятор віджиму

### РЕКОМЕНДАЦІЇ ЩОДО ТЕХНІКИ БЕЗПЕКИ

Для забезпечення ефективної та безпечної експлуатації пристрою уважно прочитайте дану інструкцію. Навіть якщо ви знайомі з роботою подібних пристроїв, ми наполегливо просимо вас прочитати розділ «Заходи безпеки», а також в точності дотримуватися всіх інструкцій.

Зберігайте цей посібник у зручному місці, використовуйте його в подальшому в якості довідкового матеріалу.

### ЗАХОДИ БЕЗПЕКИ

Для зниження ризику пожежі, ураження електричним струмом або інших травм під час роботи з електричною м'ясорубкою необхідно дотримуватися таких заходів безпеки:

- Перед першим включенням переконайтеся, що напруга в електричній мережі відповідає робочій напрузі пристрою.
- Використовуйте тільки ті аксесуари, які входять в комплект постачання.
- Щоб уникнути ураження електричним струмом НІКОЛИ НЕ ЗАНУРЮЙТЕ пристрій, мережевий шнур і вилку мережного шнура в воду або інші рідини.
- Для чищення корпусу використовуйте вологу тканину.
- Ніколи незалишайте працюючу м'ясорубку без нагляду.
- Будьте особливо уважні, якщо поруч з працюючою м'ясорубкою перебувають діти або особи з обмеженими можливостями.
- М'ясорубка не призначена для використання дітьми та людьми з обмеженими можливостями, якщо тільки особою, яка відповідає за їх безпеку, їм не дано відповідні і зрозумілі інструкції про безпечне користування м'ясорубки і тієї небезпеки, яка може виникати при її неправильному використуванні.
- Перед складанням, розбиранням, а також перед чищенням м'ясорубки слід вимкнути її і вийняти мережеву вилку з розетки.
- Забороняється встановлювати пристрій на гарячу поверхню або поруч з такою (газова, електрична плита або нагріта духовка).
- Обережно поведіться з мережевим шнуром.
- Забороняється використовувати мережевий шнур для перенесення пристрою.
- Не допускайте, щоб мережевий шнур звисав зі столу, а також стежте, щоб він не торкався гарячих поверхонь.
- При від'єднанні вилки мережного шнура від електричної розетки тримайтеся за вилку, а не за сам шнур.
- Не підключайте і не відключайте мережевий шнур мокрими руками, це може призвести до ураження електричним струмом.
- Забороняється користуватися пристроєм з пошкодженим мережевим шнуром або мережевою вилкою, а також у тому випадку, якщо пристрій функціонує зі збоями,



або якщо він впав з висоти, або пошкоджений іншим чином.

- Для ремонту пристрою або заміни мережевого шнура зверніться до авторизованого сервісного центру.
- М'ясорубка призначена для використання тільки в домашніх умовах.

## ОСОБЛИВОСТІ М'ЯСОРУБКИ

**Основна і додаткова робочі швидкості** - основна робоча швидкість використовується для всіх способів подрібнення м'яса, додаткова швидкість призначена для переробки м'яких овочів і кісточкових ягід, наприклад, томатів, червоної смородини, ожини, чорниці тощо. Для візуального контролю швидкості кожен режим має різне підсвічування кнопок управління: основна робоча швидкість супроводжується синім підсвічуванням, додаткова швидкість супроводжується червоним підсвічуванням.

### Функція зворотного обертання

**(REVERSE)** - дана функція призначена для видалення заторів, що утворилися під час переробки продуктів.

**Лоток для продуктів** - забезпечує зручне розташування продуктів під час їх переробки та полегшує завантаження продуктів в горловину голівки.

**Дві решітки з отворами різного розміру** - призначені для різних ступенів подрібнення продуктів.

**Спеціальні приналежності** - для набивання ковбасок і приготування «кеббе».

**Насадка для віджиму соку з овочів та ягід** Дозволить вам приготувати соки з м'яких овочів і кісточкових ягід.

**Система захисту від перегріву** - призначена для захисту електромотора від перегріву і дозволяє продовжити термін його служби.

### УВАГА!

- Перед підключенням до мережі переконайтеся, що пристрій вимкнений.
- Перед початком рубки м'яса обов'язково переконайтеся в тому, що всі кістки і надлишки жиру вилучені.
- Користуйтеся штовхачем, який входить в комплект постачання. Не проштовхуйте продукти будь-якими предметами або пальцями.

- Ні в якому разі не занурюйте корпус м'ясорубки у воду або інші рідини.
- Під час використання насадок «кеббе» (17, 18) і для набивання ковбасок (15, 16) не можна встановлювати решітки (10, 13) і ніж (12).
- Ненамагайтеся переробляти м'ясорубкою харчові продукти з твердими волокнами (наприклад, імбир або хрін).
- Щоб уникнути утворення заторів не прикладайте надмірних зусиль, проштовхуючи м'ясо.
- Якщо будь-який твердий шматок застряв та призводить до зупинки обертання шнека і ножа, негайно вимкніть пристрій і перед тим як продовжити роботу, видаліть його.
- При перемиканні на зворотне обертання (REVERSE) вимкніть м'ясорубку, натиснувши кнопку (8) і після паузи в 5-6 секунд, натисніть кнопку (7) (REV).

## ПІДГОТОВКА М'ЯСОРУБКИ

- Вийміть м'ясорубку і видаліть всі пакувальні матеріали, протріть корпус вологою тканиною.
- Усі знімні деталі промийте теплою водою з нейтральним миючим засобом, обполосніть і перед складанням ретельно просушіть.

## РОБОТА З М'ЯСОРУБКОЮ

(загальні положення)

- М'ясорубка призначена для переробки м'яса без кісток, тільки в домашніх умовах.
- Перед першим включенням переконайтеся, що напруга в електричній мережі відповідає робочій напрузі пристрою.
- Зберіть пристрій та встановіть на рівню суху поверхню.
- Переконайтеся в тому, що вентиляційні отвори на корпусі не заблоковані.
- Вставте вилку мережного шнура в розетку.
- Поставте під головку м'ясорубки (3) відповідний посуд.
- Переконайтеся в тому, що м'ясо повністю відтануло, видаліть надлишки жиру і кістки, поріжте м'ясо на кубики або смужки

# УКРАЇНЬКА

такого розміру, щоб вони вільно проходили в отвір лотка (2).

- Увімкніть пристрій, натиснувши на кнопку (8).
- Не кваплячись, проштовхуйте м'ясо в розтруб голівки м'ясорубки (3) за допомогою штовхача (1).
- Використовуйте під час роботи штовхач (1), який входить в комплект.
- Забороняється використовувати для проштовхування м'яса будь-які предмети, ні в якому разі не проштовхуйте м'ясо руками.
- Не прикладайте надмірних зусиль для проштовхування м'яса або інших продуктів.
- У ході рубання м'яса може утворитися затор, щоб усунути затор, що утворився, слід скористатися функцією зворотного обертання (REV). Для цього вимкніть м'ясорубку, натиснувши кнопку (8), дочекайтеся повної зупинки електромотора, потім натисніть кнопку (REV) (7), а через 5-6 секунд знову поверніться до нормального режиму роботи.
- Час безперервної роботи пристрою не повинен перевищувати 5 хвилин.
- Після 5 хвилин безперервної роботи слід вимкнути пристрій і дати йому охолонути, після чого можна продовжити роботу.
- Як тільки ви закінчите роботу, вимкніть м'ясорубку, натиснувши кнопку (7) і відключіть її від мережі, і тільки після цього приступайте до її розбирання.

## ПОДРІБНУВАННЯ М'ЯСА

1. Вставте шнек (11) в корпус голівки м'ясорубки (3), встановіть хрестоподібний ніж (11), виберіть одну необхідну решітку (10, 13) і встановіть її поверх ножа, поєднавши паз на решітці з виступом в корпусі голівки м'ясорубки (3), затягніть без зусилля гайку (14).

### Увага!

- **Якщо ніж буде встановлено неправильно (ріжучої стороною у напрямку до шнека), він не буде виконувати функцію рубки.**
- **Під час складання голівки м'ясорубки не затягуйте туго гайку (14), остаточно затягування гайки (14) проводите**

**після установки зібраної голівки на м'ясорубку.**

- **Решітки з великими (13) і середніми отворами (10) підходять для переробки як сирого м'яса, риби, так і вже приготованих продуктів, а так само для овочів, сухофруктів, сиру тощо.**
2. Встановіть зібрану голівку м'ясорубки (3) в гніздо корпусу (5) і поверніть її проти годинникової стрілки до фіксації (див. малюнок загального вигляду м'ясорубки).
  3. Остаточно затягніть гайку (14).
  4. На горловину голівки м'ясорубки (3) встановіть лоток для продуктів (2).
  5. Вставте мережеву вилку в розетку.
  6. Увімкніть м'ясорубку кнопкою (8).
  7. Під час роботи користуйтеся тільки штовхачем (1).

### Примітка

- **Для поліпшення процесу переробки м'яса нарізайте його смужками або кубиками. Заморожене м'ясо необхідно повністю розморозити.**
  - **Використовуйте під час роботи штовхач, який входить в комплект; забороняється використовувати для проштовхування м'яса будь-які предмети, ні в якому разі не проштовхуйте м'ясо руками.**
8. Як тільки ви закінчите роботу, вимкніть м'ясорубку, натиснувши кнопку (8) і відключіть її від мережі, і тільки після цього приступайте до її розбирання.
  9. Для зняття голівки м'ясорубки натисніть кнопку фіксатора (4), розташовану на корпусі (5), поверніть голівку м'ясорубки (3) за годинниковою стрілкою і зніміть її (див. малюнок загального вигляду м'ясорубки).
  10. Для розбирання голівки м'ясорубки відкрутите гайку (14) та зніміть з корпусу голівки м'ясорубки встановлену решітку (10 або 13), ніж (12) і шнек (11).

### Увага!

- **Якщо в процесі рубання м'яса утворився затор продуктів, скористайтесь функцією зворотного обертання; для**

*цього вимкніть м'ясорубку, натиснувши кнопку (8), дочекайтеся зупинки обертання електромотора і натисніть кнопку (REV) (7), а через 5-6 секунд знову поверніться до нормального режиму роботи.*

- **Якщо під час роботи обертання шнека (11) і ножа (12) раптово припинилося:**
- **відключіть м'ясорубку, натиснувши кнопку (8), і вийміть вилку з розетки;**
- **дайте охолонути електромотору протягом приблизно 20-30 хвилин;**
- **перевірте стан автоматичного запобіжника, натиснувши на кнопку включення (9);**
- **повторно включити м'ясорубку.**

## НАБИВАННЯ КОВБАСОК

1. Приготуйте фарш.
2. Встановіть шнек (11) в корпус головки м'ясорубки (3), встановіть на шнек насадки для набивання ковбасок (15, 16); стежте за тим, щоб паз на насадці (15) співпав з виступом в корпусі головки м'ясорубки (3), і злегка затягніть гайку (14).
3. Встановіть зібрану головку м'ясорубки в гніздо корпусу (5), повернувши її проти годинникової стрілки до повної фіксації (див. малюнок загального вигляду м'ясорубки), остаточно затягніть гайку (14).
4. Встановіть лоток для продуктів (2).
5. Викладіть готовий фарш на лоток для продуктів (2).
6. Використовуйте для приготування ковбасок натуральну оболонку, попередньо помістивши її в посудину з теплою водою на 10 хвилин.
7. Натягніть розм'якшену оболонку на насадку (16) і зав'яжіть на кінці оболонки вузол.
8. Вставте мережеву вилку в розетку
9. Увімкніть м'ясорубку кнопкою (8).
10. Для подачі готового фаршу використовуйте штовхач (1), у міру заповнення оболонки зрушуйте її з насадки (16), по мірі висихання оболонки змочуйте її водою.
11. Як тільки ви закінчите роботу, вимкніть м'ясорубку, натиснувши кнопку (8) і відключіть її від мережі, і тільки після цього приступайте до її розбирання.
12. Для зняття голівки м'ясорубки натисніть кнопку фіксатора (4), розташовану на корпусі (5), поверніть головку за годинниковою стрілкою (див. малюнок загального вигляду м'ясорубки) і зніміть її.
13. Відверніть гайку (14) і розберіть голівку м'ясорубки.

## ВИКОРИСТАННЯ НАСАДКИ «КЕББЕ»

Кеббе – традиційне близькосхідне блюдо, що готується з м'яса ягняти, пшеничного борошна і спецій, які рубаються разом, щоб отримати основу для виготовлення порожнистих трубочок. Трубочки наповнюються начинкою і обсмажуються у фритюрі.

Експериментуючи з начинкою для трубочок, можна готувати різні делікатеси.

1. Приготуйте основу для оболонки.
2. Встановіть шнек (11) в корпус головки м'ясорубки (3), встановіть на шнек (11) насадки «кеббе» (17, 18); стежте за тим, щоб паз на насадці (17) співпав з виступом в корпусі головки м'ясорубки (3), і злегка загорніть гайку (14).
3. Встановіть зібрану головку м'ясорубки в гніздо корпусу (5), повернувши її проти годинникової стрілки до повної фіксації (див. малюнок загального вигляду м'ясорубки), остаточно затягніть гайку (14).
4. Встановіть лоток для продуктів (2).
5. Викладіть готову основу для оболонки на лоток для продуктів (2).
6. Вставте мережеву вилку в розетку.
7. Увімкніть м'ясорубку кнопкою (8).
8. Для подачі основи для оболонки використовуйте штовхач (1).
9. Відрізуйте готові трубочки необхідної довжини.
10. Як тільки ви закінчите роботу, вимкніть м'ясорубку, натиснувши кнопку (8) і відключіть її від мережі, і тільки після цього приступайте до її розбирання.
11. Для зняття голівки м'ясорубки натисніть кнопку фіксатора (4), розташовану на корпусі (5), поверніть головку (3) за годинниковою стрілкою (див. малюнок загального вигляду м'ясорубки) і зніміть її.
12. Відверніть гайку (14) і розберіть голівку м'ясорубки.

# УКРАЇНЬСЬКА

## РЕЦЕПТ

### (Начинка)

Баранина	100 г
Оливкова олія	1, 1/2 столової ложки
Ріпчаста цибуля (дрібно нашаткована)	1, 1/2 столової ложки
Прянощі	за смаком
Сіль	1/4 чайної ложки
Борошно	1, 1/2 столової ложки

- Баранину необхідно подрібнити в м'ясорубці один або два рази.
- Ріпчасту цибулю обсмажують в олії до золотистого кольору, потім додають рубану баранину, всі прянощі, сіль і борошно.

### (Оболонка)

Пісне м'ясо	450 г
Борошно	150-200 г
Прянощі	за смаком
Мускатний горіх	1 шт.
Червоний мелений Перець	за смаком
Перець	за смаком

- М'ясо подрібнюють у м'ясорубці три рази, подрібнюється також мускатний горіх, потім змішують всі компоненти.
- Більша кількість м'яса і менша кількість борошна в зовнішній оболонці забезпечують кращу консистенцію і смак готового виробу.
- Готові трубочки наповнюються начинкою, затискаються по краях, їм надається бажана форма.
- Готуються трубочки у фритюрі.

### Примітка:

**Насадки для приготування ковбасок (15,16) і насадки для «кеббе» (17,18) після використання можна зберігати в штовхальнику (1) (мал. А).**

## ОВОЧЕРІЗКА

- Встановіть терку (22) шатківницю (21) або насадку для дерунів (23) в корпус овочерізки (20).
- Встановіть корпус овочерізки (20), повернувши його проти годинникової стрілки до повної фіксації (див. малюнок загального вигляду м'ясорубки).
- Вставте мережеву вилку в розетку.
- Увімкніть м'ясорубку, натиснувши кнопку (8).
- Під час роботи користуйтеся тільки штовхачем (19), що входить в комплект; забороняється використовувати для проштовхування овочів сторонні предмети, ні в якому разі не проштовхуйте овочі руками.
- Для зняття насадки овочерізки (20) натисніть кнопку фіксатора (4) розташовану на корпусі (5), поверніть її за годинниковою стрілкою (див. малюнок загального вигляду м'ясорубки) і зніміть.
- Для переробки м'яких овочів, наприклад, томатів, використовуйте знижену швидкість обертання шнека, для цього натисніть кнопку включення зниженої швидкості (6), підсвічування кнопок зміниться з синього на червоне.
- Після закінчення роботи відключіть знижену швидкість обертання шнека, повторним натисканням кнопки (6), після цього вимкніть м'ясорубку, натиснувши кнопку (8), і вийміть вилку мережного шнура з розетки.

## СОКОВИЖИМАЛКА

- Встановіть конічну насадку-фільтр (26) на пластиковий шнек (25), потім встановіть їх в корпус насадки-соковижималки (24).
- Закрийте корпус кришкою (27), поєднавши виступи з поглибленнями на корпусі (24) і поверніть його проти годинникової стрілки в положення «CLOSE» для фіксації.
- Встановіть регулятор віджимання (28) на кришку соковижималки (27), поєднавши покажчик на регуляторі з символом «0» і злегка натиснувши, поверніть його проти годинникової стрілки.
- Встановіть корпус насадки (24) у гніздо корпусу (5), і поверніть його проти годинникової стрілки до повної фіксації

(див. малюнок загального вигляду м'ясорубки).

- Встановіть лоток для продуктів (2).
- Вставте мережеву вилку в розетку.
- Увімкніть м'ясорубку, натиснувши кнопку (8).
- Увімкніть знижену швидкість, натиснувши на кнопку (6), при цьому підсвічування кнопок зміниться з синього на червоне, вказуючи, що включений режим зниженої швидкості обертання.
- Під час роботи користуйтеся тільки штовхачем (1), що входить в комплект; забороняється використовувати для проштовхування овочів сторонні предмети, ні в якому разі не проштовхуйте овочі руками.
- Регулятор віджимання (28) має 3 робочих положення. На кришці (27) нанесені відповідні символи. Для регулювання ступеня віджимання, залежно від типу овочів або фруктів, регулятор змінює положення конічної насадки відповідно до символів «1» «2» «3», притискуючи її до шнека.

## ДОГЛЯД ЗА М'ЯСОРУБКОЮ

- Після закінчення роботи слід вимкнути м'ясорубку, натиснувши кнопку (8), і вийняти вилку мережного шнура з розетки.
- Натисніть кнопку фіксатора (4), поверніть головку м'ясорубки за годинниковою стрілкою і зніміть її (див. малюнок загального вигляду м'ясорубки).
- Відверніть гайку (14) і зніміть встановлені насадки (15, 16 або 17, 18), сітки (10 або 13), ніж (12) з шнека (11).
- Вийміть шнек (11) з голівки м'ясорубки (3).
- Видаліть зі шнека залишки продуктів.
- Приладдя (1, 2, 15, 16, 17, 18, 19, 25, 26, 27, 28) можна мити у посудомийній машині.
- Для зручності і компактності зберігання насадки (15, 16, 17, 18) можна зберігати всередині штовхача (1) (мал. А).
- Протріть корпус м'ясорубки (5) вологою тканиною.
- Для промивання насадки для віджимання соків натисніть кнопку фіксатора (4), розташовану на корпусі (5), поверніть її за годинниковою стрілкою, щоб зняти (див.

малюнок загального вигляду м'ясорубки).

- Поверніть кришку (27) за годинниковою стрілкою встановивши її в положення «OPEN», витягніть конічну насадку-фільтр (26) і пластиковий шнек (25).
- Поверніть регулятор віджимання (28) за годинниковою стрілкою, встановивши його в положення «0» і зніміть.
- Видаліть зі шнека залишки продуктів.
- Промийте всі приналежності м'ясорубки в теплій мильній воді з нейтральним миючим засобом, обполосніть і перед складанням ретельно просушіть.
- Забороняється використовувати для чищення корпусу м'ясорубки (5) розчинники або абразивні чистячі засоби.
- Не допускайте потрапляння рідини всередину корпусу м'ясорубки.
- Перед тим як прибрати просохлі решітки (10, 13) і ніж (12) рослинним маслом - так вони будуть захищені від окислення.

## ТЕХНІЧНІ ДАНІ

Напруга живлення: 220-240 В ~ 50/60 Гц  
Максимальна потужність: 1500 Вт

*Виробник зберігає за собою право змінювати дизайн і технічні характеристики пристрою без попереднього повідомлення.*

## Термін служби - 5 років

## Гарантія

Докладні умови гарантії можна отримати в дилера, що продав дану апаратуру. При пред'явленні будь-якої претензії протягом терміну дії даної гарантії варто пред'явити чек або квитанцію про покупку.

*Даний виріб відповідає вимогам до електромагнітної сумісності, що пред'являються директивою 89/336/ЄЕС Ради Європи й розпорядженням 73/23 ЄЕС по низьковольтних апаратурах.*



# БЕЛАРУСКИ

## МЯСАСЕЧКА

### АПИСАННЕ

1. Штурхач
2. Латок для прадуктаў
3. Корпус галоўкі мясасечкі
4. Кнопка фіксатара галоўкі мясасечкі
5. Корпус
6. Кнопка ўключэння паніжанай хуткасці
7. Кнопка ўключэння зваротнага кручэння (REV)
8. Кнопка ўключэння/адключэння
9. Кнопка ўключэння аўтаматычнага засцерагальніка
10. Рашотка для сярэдняй рубкі
11. Шнек
12. Крыжападобны нож
13. Рашотка для буйнай рубкі
14. Гайка галоўкі мясасечкі
15. 16. Насадкі для набівання каўбасак
17. 18. Насадкі для падрыхтоўкі «кеббе»
19. Штурхач агароднінарэзкі
20. Корпус насадкі агароднінарэзкі
21. Шаткаванне
22. Буйная тарка
23. Насадка для прыгатавання дранікаў
24. Корпус насадкі-сокавыціскальні
25. Шнек сокавыціскальні
26. Канічная насадка-фільтр
27. Вечка сокавыціскальні
28. Рэгулятар адціску

### РЭКАМЕНДАЦЫІ ПА ТЭХНІЦЫ БЯСПЕКІ

Для забеспячэння эфектыўнай і бяспечнай эксплуатацыі прылады ўважліва прачытайце дадзеную інструкцыю. Нават калі вы знаёмыя з працай падобных прылад, мы настойліва просім вас прачытаць частку «Меры засцярогі», а таксама ў дакладнасці прытрымлівацца ўсіх інструкцый. Захоўвайце дадзенае кіраўніцтва ў зручным месцы, выкарыстоўвайце яго ў далейшым у якасці даведкавага матэрыялу.

### МЕРЫ ЗАСЦЯРОГІ

Для зніжэння рызыкі пажару, паразы электрычным токам або іншых траўмаў падчас працы з электрычнай мясасечкай неабходна выконваць наступныя меры засцярогі:

- Перад першым уключэннем пераканайцеся, што напруга ў электрычнай сетцы адпавядае працоўнай напрузе прылады.

- Выкарыстоўвайце толькі тыя аксэсуары, якія ўваходзяць у камплект пастаўкі.
- У пазбяганне паразы электрычным токам НІКОЛІ НЕ АПУСКАЙЦЕ прыладу, сеткавы шнур і вілку сеткавага шнура ў ваду або іншыя вадкасці.
- Для чысткі корпуса выкарыстоўвайце вільготную тканіну.
- Ніколі не пакідайце працуючую мясасечку без нагляду.
- Будзьце асабліва ўважлівыя, калі побач з працуючай мясасечкай знаходзяцца дзеці ці асобы з абмежаванымі магчымасцямі.
- Мясасечка не прызначана для выкарыстання дзецьмі і людзьмі з абмежаванымі магчымасцямі, калі толькі асобай, якая адказвае за іх бяспеку, не дадзены адпаведныя і зразумелыя інструкцыі пра бяспечнае карыстанне мясасечкай і тых небяспехах, якія могуць узнікнуць пры яе няправільным карыстанні.
- Перад зборкай, разборкай, а таксама перад чысткай мясасечкі варта выключыць яе і выняць сеткавую вілку з разеткі.
- Забараняецца ўсталёўваць прыладу на гарачую паверхню ці побач з такой (газавая, электрычная пліта ці нагрэтая духоўка).
- Акуратна звяртайцеся з сеткавым шнурам.
- Забараняецца выкарыстоўваць сеткавы шнур для пераноскі прылады.
- Не дапушчайце, каб сеткавы шнур звешаўся са стала, а таксама сачыце, каб ён не дакранаўся да гарачых паверхняў.
- Пры адлучэнні вілкі сеткавага шнура ад электрычнай разеткі трымайцеся за вілку, а не за сам шнур.
- Не падлучайце і не адлучайце сеткавы шнур мокрымі рукамі, гэта можа прывесці да паразы электрычным токам.
- Забараняецца карыстацца прыладай з пашкоджаным сеткавым шнурам ці сеткавай вілкай, а таксама ў тым выпадку, калі прылада функцыянуе са збоямі, ці калі яна звалілася з вышыні, ці пашкоджана іншым чынам.
- Для рамонту прылады ці замены сеткавага шнура звярніцеся ў аўтарызаваны сэрвісны цэнтр.
- Мясасечка прызначана для выкарыстання толькі ў хатніх умовах.

## АСАБЛІВАСЦІ МЯСАСЕЧКІ

**Асноўная і дадатковая працоўная хуткасці** - асноўная працоўная хуткасць выкарыстоўваецца для ўсіх спосабаў драбнення мяса, дадатковая хуткасць прызначана для перапрацоўкі мяккай гародніны і костачкавых ягад, напрыклад, таматаў, чырвонай парэчкі, ажыны, чарніцы і г.д. Для візуальнага кантролю хуткасці кожны рэжым мае рознае падсвятленне кнопак кіравання: асноўная працоўная хуткасць суправаджаецца сінім падсвятленнем, дадатковая хуткасць суправаджаецца чырвоным падсвятленнем.

### Функцыя зваротнага кручэння

**(REVERSE)** - дадзеная функцыя прызначана для выдалення затораў, якія ўтварыліся падчас перапрацоўкі прадуктаў.

**Латок для прадуктаў** - забяспечвае зручнае размяшчэнне прадуктаў падчас іх перапрацоўкі і палягчае загрузку прадуктаў у гарлавіну галоўкі.

**Дзве рашоткі з адтулінамі рознага памеру** - прызначаны для розных ступеняў драбнення прадуктаў.

**Спецыяльныя прыналежнасці** - для набівання каўбасак і прыгатавання «кеббе».

**Насадка для адціску соку з гародніны і ягад**

Дазволіць вам прыгатаваць сокі з мяккай гародніны і костачкавых ягад.

**Сістэма абароны ад перагрэву** - прызначана для абароны электраматора ад перагрэву і дазваляе падоўжыць тэрмін яго службы.

## УВАГА!

- Перад падлучэннем да сеткі пераканайцеся, што прылада выключана.
- Перад пачаткам рубкі мяса абавязкова пераканайцеся ў тым, што ўсе косткі і лішкі тлушчу выдалены.
- Карыстайцеся штурхачом, які ўваходзіць у камплект пастайкі. Не прапіхвайце прадукты якімі-небудзь прадметамі ці пальцамі.
- Ні ў якім разе не апускайце корпус мясасечкі ў ваду ці іншыя вадкасці.
- Падчас выкарыстання насадак «кеббе» (17, 18) і для набівання каўбасак (15, 16) нельга ўсталёўваць рашоткі (10, 13) і нож (12).

- Не спрабуйце перапрацоўваць мясасечкай харчовыя прадукты з цвёрдымі валокнамі (напрыклад, імбір ці хрэн).
- У пазбяганне стварэння затораў не прыкладвайце празмерных намаганняў, прапіхваючы мяса.
- Калі які-небудзь захрасшы цвёрды кавалак прыводзіць да прыпынку кручэння шнека і нажа, неадкладна выключыце прыладу і перада тым як працягнуць працу, выдаліце яго.
- Пры пераклучэнні на зваротнае кручэнне (REVERSE) выключыце мясасечку, націснуўшы кнопку (8) і пасля паўзы каля 5-6 секунд, націсніце кнопку (7) (REV).

## ПАДРЫХОТКА МЯСАСЕЧКІ

- Выміце мясасечку і выдаліце ўсе пакавальныя матэрыялы, пратрыце корпус вільготнай тканінай.
- Усе здымныя дэталі прамыйце цёплай вадой з нейтральным мыйным сродкам, апаласніце і перад зборкай старанна прасушыце.

## ПРАЦА З МЯСАСЕЧКАЙ

(агульныя палажэнні)

- Мясасечка прызначана для перапрацоўкі мяса без костак, толькі ў хатніх умовах.
- Перад першым уключэннем пераканайцеся, што напруга ў электрычнай сетцы адпавядае працоўнай напрузе прылады.
- Збярыце прыладу і ўсталюйце на роўную сухую паверхню.
- Пераканайцеся ў тым, што вентыляцыйныя адтуліны на корпусе не заблакаваны.
- Устаўце вілку сеткавага шнура ў разетку.
- Пастаўце пад галоўку мясасечкі (3) падыходны посуд.
- Пераканайцеся ў тым, што мяса цалкам адтала, выдаліце лішкі тлушчу і касці, парэжце мяса на кубікі ці палоскі такога памеру, каб яны вольна праходзілі ў адтуліну латка (2).
- Уключыце прыладу, націснуўшы на кнопку (8).
- Не спяшаючыся, прапіхвайце мяса ў рэштуб галоўкі мясасечкі (3) пры дапамозе штурхача (1).
- Выкарыстоўвайце падчас працы штурхач (1), які ўваходзіць у камплект.

# БЕЛАРУСКІ

- Забараняецца выкарыстоўваць для прапіхвання мяса якія-небудзь прадметы, ні ў якім разе не прапіхвайце мяса рукамі.
- Не прыкладайце празмерных намаганняў для прапіхвання мяса ці іншых прадуктаў.
- Падчас рубкі мяса можа ўтварыцца затор, каб ухіліць утварыўшыся затор, варта скарыстацца функцыяй зваротнага кручэння (REV). Для гэтага выключыце мясасечку, націснуўшы кнопку (8), дачакайцеся поўнага прыпынку электраматора, затым націсніце кнопку (REV) (7), а праз 5-6 секунд ізноў вярніцеся да звычайнага рэжыму працы.
- Час бесперапыннай працы прылады не павінен перавышаць 5 мінут.
- Пасля 5 мінут бесперапыннай працы варта выключыць прыладу і даць ёй астудзіцца, пасля чаго можна працягнуць працу.
- Як толькі вы скончыце працу, выключыце мясасечку, націснуўшы кнопку (7) і адключыце яе ад сеткі, і толькі пасля гэтага прыступайце да яе разборкі.

## ДРАБНЕННЕ МЯСА

1. Устаўце шнек (11) у корпус галоўкі мясасечкі (3), усталойце крыжападобны нож (11), абярыце адну неабходную рашотку (10, 13) і ўсталойце яе па-над нажом, сумясціўшы пазу на рашотцы з выступам у корпусе галоўкі мясасечкі (3), зацягніце без высілка гайку (14).

### Увага!

- **Калі нож будзе ўсталяваны няправільна (рэжучым бокам у кірунку да шнеку), ён не будзе выконваць функцыю рубкі.**
- **Падчас зборкі галоўкі мясасечкі не зацягвайце туга гайку (14), канчатковую зацяжку гайкі (14) рабіце пасля ўсталёўкі сабранай галоўкі на мясасечку.**
- **Рашоткі з буйнымі (13) і сярэднімі адтулінамі (10) падыходзяць для перапрацоўкі як волкага мяса, рыбы, так і ўжо прыгатаваных прадуктаў, а гэтак жа для гародніны, сухафруктаў, сыра і г.д.**

1. Усталойце сабраную галоўку мясасечкі (3) у гняздо корпуса (5) і павярніце яе супраць гадзіннікавай стрэлкі да фіксацыі (гл. малюнак агульнага выгляду мясасечкі).
2. Канчаткова зацягніце гайку (14).
3. На гарлавіну галоўкі мясасечкі (3) усталойце латок для прадуктаў (2).
4. Устаўце сеткавую вілку ў разетку.
5. Уключыце мясасечку кнопкай (8).
6. Падчас працы карыстайцеся толькі штурхачом (1).

### Нататка

- **Для паляпшэння працэсу перапрацоўкі мяса наразаіце яго палоскамі ці кубікамі. Замарожанае мяса неабходна цалкам размарозіць.**
  - **Выкарыстоўвайце падчас працы штурхач, які ўваходзіць у камплект; забараняецца выкарыстоўваць для прапіхвання мяса якія-небудзь прадметы, ні ў якім разе не прапіхвайце мяса рукамі.**
7. Як толькі вы скончыце працу, выключыце мясасечку, націснуўшы кнопку (8) і адключыце яе ад сеткі, і толькі пасля гэтага прыступайце да яе разборкі.
  8. Для здымання галоўкі мясасечкі націсніце кнопку фіксатара (4), размешчаную на корпусе (5), павярніце галоўку мясасечкі (3) па гадзіннікавай стрэлцы і зніміце яе (гл. малюнак агульнага выгляду мясасечкі).
  9. Для разборкі галоўкі мясасечкі адкруціце гайку (14) і выміце з корпуса галоўкі мясасечкі ўсталяваную рашотку (10 ці 13), нож (12) і шнек (11).

### Увага!

- **Калі падчас рубкі мяса ўтварыўся затор прадуктаў, скарыстайцеся функцыяй зваротнага кручэння; для гэтага выключыце мясасечку, націснуўшы кнопку (8), дачакайцеся прыпынку кручэння электраматора і націсніце кнопку (REV) (7), а праз 5-6 секунд ізноў вярніцеся да звычайнага рэжыму працы.**



- *Калі падчас працы кручэнне шнека (11) і нажа (12) раптам спынілася:*
- *адключыце мясасечку, націснуўшы кнопку (8), і выміце сеткавую вілку з разетки;*
- *дайте астыць электраматору на працягу прыблізна 20-30 мінут;*
- *правярце стан аўтаматычнага засцерагальніка, націснуўшы на кнопку ўключэння (9);*
- *паўторна ўключыце мясасечку.*

## НАБІВАННЕ КАЎБАСАК

1. Прыгатуйце фарш.
2. Усталюйце шнек (11) у корпус галоўкі мясасечкі (3), усталюйце на шнек насадкі для набівання каўбасак (15, 16); сачыце за тым, каб паза на насадцы (15) супала з выступам у корпусе галоўкі мясасечкі (3), і злёгка зацягніце гайку (14).
3. Усталюйце сабраную галоўку мясасечкі ў гняздо корпуса (5), павярнуўшы яе супраць гадзіннікавай стрэлкі да поўнай фіксацыі (гл. малюнак агульнага выгляду мясасечкі), канчаткова зацягніце гайку (14).
4. Усталюйце латок для прадуктаў (2).
5. Выкладзіце гатовы фарш на латок для прадуктаў (2).
6. Выкарыстоўвайце для прыгатавання каўбасак натуральную абалонку, папярэдне змясціўшы яе ў пасудзіну з цёплай вадой на 10 мінут.
7. Нацягніце размякчаную абалонку на насадку (16) і завяжыце на канцы абалонкі вузел.
8. Устаўце сеткавую вілку ў разетку.
9. Уключыце мясасечку кнопкай (8).
10. Для падачы гатовага фаршу выкарыстоўвайце штурхач (1), па меры запаўнення абалонкі зрушвайце яе з насадкі (16), па меры высыхання абалонкі змочвайце яе вадой.
11. Як толькі вы скончыце працу, выключыце мясасечку, націснуўшы кнопку (8) і адключыце яе ад сеткі, і толькі пасля гэтага прыступайце да яе разборкі.
12. Для здымання галоўкі мясасечкі націсніце кнопку фіксатара (4), размешчаную на корпусе (5), павярніце галоўку па гадзіннікавай стрэлцы (гл. малюнак агульнага выгляду мясасечкі) і зніміце яе.

13. Адкруціце гайку (14) і разбярывце галоўку мясасечкі.

## ВЫКАРЫСТАННЕ НАСАДКІ «КЕББЕ»

Кеббе - традыцыйная блізкаўсходняя страва, прыгатаваная з мяса ягня, пшанічнай мукі і спецый, якія сякуцца разам, каб атрымаць аснову для выраба полых трубчак. Трубачкі напаўняюцца начынкай і абсмажваюцца ў фрыжюры.

Эксперыментуючы з начиннем для трубчак, можна рыхтаваць розныя дэлікатэсы.

1. Прыгатуйце аснову для абалонкі.
2. Усталюйце шнек (11) у корпус галоўкі мясасечкі (3), усталюйце на шнек (11) насадкі «кеббе» (17, 18); сачыце за тым, каб паза на насадцы (17) супала з выступам у корпусе галоўкі мясасечкі (3), і злёгка загарніце гайку (14).
3. Усталюйце сабраную галоўку мясасечкі ў гняздо корпуса (5), павярнуўшы яе супраць гадзіннікавай стрэлкі да поўнай фіксацыі (гл. малюнак агульнага выгляду мясасечкі), канчаткова зацягніце гайку (14).
4. Усталюйце латок для прадуктаў (2).
5. Выкладзіце гатовую аснову для абалонкі на латок для прадуктаў (2).
6. Устаўце сеткавую вілку ў разетку.
7. Уключыце мясасечку кнопкай (8).
8. Для падачы асновы для абалонкі выкарыстоўвайце штурхач (1).
9. Адразаіце гатовыя трубачкі неабходнай даўжыні.
10. Як толькі вы скончыце працу, выключыце мясасечку, націснуўшы кнопку (8) і адключыце яе ад сеткі, і толькі пасля гэтага прыступайце да яе разборкі.
11. Для здымання галоўкі мясасечкі націсніце кнопку фіксатара (4), размешчаную на корпусе (5), павярніце галоўку па гадзіннікавай стрэлцы (гл. малюнак агульнага выгляду мясасечкі) і зніміце яе.
12. Адкруціце гайку (14) і разбярывце галоўку мясасечкі.

# БЕЛАРУСКІ

## РЭЦЭПТ

### (Начынка)

Бараніна	100 г
Аліўкавае масла	1, 1/2 сталовай лыжкі
Рэпчаты лук (дробна нашаткаваны)	1, 1/2 сталовай лыжкі
Вострыя прыправы	па гусце
Соль	1/4 гарбатнай лыжкі
Мука	1, 1/2 сталовай лыжкі

- Бараніну неабходна здрабніць у мясасечцы адзін ці два разы.
- Рэпчаты лук абсмажваюць у масле да залацістага колеру, затым даюць сечаную бараніну, усе вострыя прыправы, соль і муку.

### (Абалонка)

Нішчымнае мяса	450 г
Мука	150-200 г
Вострыя прыправы	1 гарбатная лыжка
Вострыя прыправы	па гусце
Мушкатовы арэх	1 шт.
Чырвоны молаты Перац	па гусце
Перац	па гусце

- Мяса здрабняюць у мясасечцы тры разы, здрабняецца таксама мушкатовы арэх, затым змешваюць усе кампаненты.
- Большая колькасць мяса і меншая колькасць мукі ў вонкавай абалонцы забяспечваюць лепшую кансістэнцыю і густ гатовага выраба.
- Гатовыя трубачкі напаўняюцца начынкай, заціскаюцца па краю, ім надаецца жаданая форма.
- Гатуюцца трубачкі ў фрыжюры.

### Нататка:

**Насадкі для падрыхтоўкі каўбасак (15,16) і насадкі для «кеббе» (17,18) пасля выкарыстання можна захоўваць у штурхачу (1) (мал. А).**

## АГАРОДНІНАРЭЗКА

- Ўсталюйце тарку (22) шаткоўку (21) ці насадку для дранікаў (23) у корпус агароднінарэзкі (20).
- Усталюйце корпус агароднінарэзкі (20), павярнуўшы яго супраць гадзіннікавай стрэлкі да поўнай фіксацыі (гл. малюнак агульнага выгляду мясасечкі).
- Устаўце сеткавую вілку ў разетку.
- Уключыце мясасечку, націснуўшы кнопку (8).
- Падчас працы карыстайцеся толькі штурхачом (19), які ўваходзіць у камплект; забараняецца выкарыстоўваць для прапіхвання гародніны староннія прадметы, ні ў якім разе не прапіхвайце гародніну рукамі.
- Для здымання насадкі агароднінарэзкі (20) націсніце кнопку фіксатара (4) размешчаную на корпусе (5), павярніце яе па гадзіннікавай стрэлцы (гл. малюнак агульнага выгляду мясасечкі) і зніміце.
- Для перапрацоўкі мяккай гародніны, напрыклад, таматаў, выкарыстоўвайце паніжаную хуткасць кручэння шнека, для гэтага націсніце кнопку ўключэння паніжанай хуткасці (6), падсвятленне кнопак зменіцца з сіняга на чырвоны.
- Пасля канчатку працы адключыце паніжаную хуткасць кручэння шнека, паўторным націскам кнопкі (6), пасля гэтага выключыце мясасечку, націснуўшы кнопку (8), і выміце вілку сеткавага шнура з разеткі.

## СОКАВЫЦІСКАЛКА

- Усталюйце канічную насадку-фільтр (26) на паластыкавы шнек (25), затым усталюйце іх у корпус насадкі-сокавыцкіскалкі (24).
- Зачыніце корпус вэчка (27), сумясціўшы выступы з паглыбленнямі на корпусе (24) і павярніце яго супраць гадзіннікавай стрэлкі ў становішча «CLOSE» для фіксацыі.
- Усталюйце рэгулятар адціску (28) на вэчка сокавыцкіскалкі (27), сумясціўшы паказальнік на рэгулятары са знакам «0» і злёгка націснуўшы, павярніце яго супраць гадзіннікавай стрэлкі.
- Усталюйце корпус насадкі (24) у гняздо корпуса (5), і павярніце яго супраць

гадзіннікавай стрэлкі да поўнай фіксацыі (гл. малюнак агульнага выгляду мясасечкі).

- Усталюйце латок для прадуктаў (2).
- Устаўце сеткавую вілку ў разетку.
- Уключыце мясасечку, націснуўшы кнопку (8).
- Уключыце паніжаную хуткасць, націснуўшы на кнопку (6), пры гэтым падсвятленне кнопак зменіцца з сіняга на чырвоны, паказваючы, што ўключаны рэжым паніжанай хуткасці кручэння.
- Падчас працы карыстайцеся толькі штурхачом (1), які ўваходзіць у камплект; забараняецца выкарыстоўваць для прапяхвання гародніны староннія прадметы, ні ў якім разе не прапяхвайце гародніну рукамі.
- Рэгулятар адціску (28) мае 3 працоўныя становішчы. На вечку (27) нанесены адпаведныя знакі. Для рэгуляўкі ступені адціску, у залежнасці ад тыпу гародніны ці садавіны, рэгулятар змяняе становішча канічнай насадкі ў адпаведнасці са знакамі «1» «2» «3», прыціскаючы яе да шнеку.

## ДОГЛЯД ЗА МЯСАСЕЧКАЙ

- Пасля канчатку працы варта выключыць мясасечку, націснуўшы кнопку (8), і выняць вілку сеткавага шнура з разеткі.
- Націсніце кнопку фіксатара (4), павярніце галоўку мясасечкі па гадзіннікавай стрэлцы і зніміце яе (гл. малюнак агульнага выгляду мясасечкі).
- Адкруціце гайку (14) і зніміце ўсталяваныя насадкі (15, 16 ці 17, 18), сеткі (10 ці 13), нож (12) са шнека (11).
- Выміце шнек (11) з галоўкі мясасечкі (3).
- Выдаліце са шнека рэшткі прадуктаў.
- Прыналежнасці (1, 2, 15, 16, 17, 18, 19, 25, 26, 27, 28) можна мыць у посудамыйнай машыне.
- Для выгоды і кампактнасці захоўвання насадкі (15, 16, 17, 18) можна захоўваць усярэдзіне штурхача (1) (мал. А).
- Пратрыце корпус мясасечкі (5) вільготнай тканінай.
- Для прамывання насадкі для адціску сокаў націсніце кнопку фіксатара (4), размешчаную на корпусе (5), павярніце

яе па гадзіннікавай стрэлцы і зніміце (гл. малюнак агульнага выгляду мясасечкі).

- Павярніце вечка (27) па гадзіннікавай стрэлцы ўсталяваўшы яе ў становішча «OPEN», выміце канічную насадку-фільтр (26) і пластыкавы шнек (25).
- Павярніце рэгулятар адціску (28) па гадзіннікавай стрэлцы, усталяваўшы яго ў становішча «0» і зніміце.
- Выдаліце са шнека рэшткі прадуктаў.
- Прамойце ўсё прыладдзе мясасечкі ў цёплай мыльнай вадзе з нейтральным мыльным сродкам, апаласніце і перад зборкай старанна прасушыце.
- Забараняецца выкарыстоўваць для чысткі корпуса мясасечкі (5) растваральнікі ці абразіўныя якія чысцяць сродкі.
- Не дапушчайце траплення вадкасці ўнутр карпусы мясасечкі.
- Перад тым як прыбраць прасохлае прыладдзе на захоўванне, вышмаруйце рашоткі (10, 13) і нож (12) алеем - так яны будуць абаронены ад акіслення.

## ТЭХНІЧНЫЯ ДАДЗЕННЫЯ

Напруга сілкавання: 220-240 В ~50/60 Гц  
Максімальная магутнасць: 1500 Вт

*Вытворца захоўвае за сабой права змяняць дызайн і тэхнічныя характарыстыкі прылады без папярэдняга апавяшчэння.*

## Тэрмін службы - 5 гадоў

## Гарантыя

Падрабязнае апісанне умоў гарантыянага абслугоўвання могуць быць атрыманы у таго дылера, ў якога была набыта тэхніка. Пры звароце за гарантыйным абслугоўваннем абавязкова павінна быць прад'яўлена купчая альбо квітанцыя аб аплаце.

**CE** Дадзены выраб адпавядае патрабаванням ЕМС, якія выказаны ў дырэктыве ЕС 89/336/ЕЕС, і палажэнням закона аб прытрымліванні напружання (73/23 ЕС)

## GO'SHT QIYMALAGICH ASOSIY QISMLARI

1. Turtgich
2. Masalliq solinadigan patnis
3. Go'sht qiymalagich korpusi kallagi
4. Go'sht qiymalagich kallagi mahkamlagichi tugmasi
5. Korpus
6. Sekin aylantirish tugmasi
7. Teskari aylantirish tugmasi (REV)
8. Ishlatish/o'chirish tugmasi
9. Avtomatik saqlagichni ishlatish tugmasi
10. O'rtacha maydalash panjarasi
11. Shnek
12. Xochsimon pichoq
13. Yirik maydalash panjarasi
14. Go'sht maydalagich kallagi gaykasi
15. 16. Kolbasa to'ldirish birikmasi
17. 18. «Kebbe» tayyorlash birikmasi
19. Sabzavot to'g'ragich turtgichi
20. Sabzavot to'g'ragich korpusi birikmasi
21. To'g'ragich
22. Yirik qirg'ich
23. Dranik tayyorlash o'rnatmasi
24. SHarbat chiqargich birikma korpusi
25. SHarbat chiqargich shneki
26. Konussimon birikma
27. SHarbat chiqargich qopqog'i
28. SHarbat siqilishini o'zgartirgich

## XAVFSIZLIK QOIDALARI BORASIDAGI TAVSIYALAR

Jihozni samarali va xavfsiz ishlatish uchun qo'llanmani diqqat bilan o'qib chiqing. Agar oldin shunga o'xshash vositalarni ishlatgan bo'lsangiz ham «Xavfsizlik qoidalarini» diqqat bilan o'qib qo'llanmada aytilganlarga aniq amal qilishingizni so'raymiz. Qo'llanmani olishga qulay joyga qo'yib keyinchalik ma'lumot olish uchun ishlatilgan.

## XAVFSIZLIK CHORALARI

Elektr go'sht qiymalagichni ishlatganda yong'in chiqmasligi, elektr toki urmasligi yoki jarohat olmaslik uchun quyidagi xavfsizlik qoidalariga amal qilish kerak bo'ladi:

- Birinchi marta ishlatishdan oldin elektr tarmog'idagi quvvat jihoz ishlaydigan quvvatga to'g'ri kelishini tekshirib ko'ring
- Faqat jihoz bilan qo'shib beriladigan qismlarni ishlatilgan.

- Elektr toki urmasligi uchun HECH QACHON jihozni, elektr shnuri yoki elektr shnur vilkasini suvga yoki boshqa suyuqlikka TUSHIRMANG.
- Korpusini tozalash uchun nam mato ishlatilgan.
- Hech qachon ishlab turgan go'sht qiymalagichni qarovsiz qoldirmang.
- Ishlayotgan go'sht qiymalagich yaqinida bolalar yoki imkoniyati cheklangan insonlar bo'lganda ayniqsa ehtiyot bo'ling.
- Go'sht qiymalagich bolalar va imkoniyati cheklangan insonlarning ishlatishi uchun mo'ljallanmagan, ularning xavfsizligi uchun javob beradigan shaxs ularga go'sht qiymalagichni xavfsiz ishlatishni va noto'g'ri ishlatganda qanday xavf bo'lishi mumkinligini to'g'ri va sodda qilib tushuntirgandagina ular go'sht qiymalagichni ishlatishlari mumkin.
- Yig'ish, qismlarga ajratish va tozalashdan oldin go'sht qiymalagichni o'chirib elektr vilkasini rozetkadan chiqarib qo'yish kerak.
- Jihozni issiq yuzalarga yoki shunday joylar (gaz, elektr plita yoki qizib turgan duxovka) yaqiniga qo'yish ta'qiqlanadi.
- Elektr shnurni ehtiyot qilib ishlatilgan.
- Elektr shnuridan tortib jihozni joyidan jildirish ta'qiqlanadi.
- Elektr shnuri stol chetidan osilib turmasligi va issiq yuzalarga tegmasligiga qarab turing.
- Elektr vilkasini rozetkadan shnurni emas, vilkasini ushlab chiqarib oling.
- Elektr vilkasini xo'l qo'l bilan ulamang va chiqarib olmang, bunday qilish elektr toki urishiga sabab bo'lishi mumkin.
- Elektr shnuri yoki elektr vilkasi shikastlangan, uzilib ishlayotgan, tushib ketgan yoki biror joyi shikastlangan bo'lsa ishlatish ta'qiqlanadi.
- Jihozni ta'mirlatish yoki elektr shnurini o'zgartirish uchun vakolatli xizmat markaziga olib boring.
- Go'sht qiymalagich faqat uy sharoitida ishlatishga mo'ljallangan.

## GO'SHT QIYMALAGICH XUSUSIYATLARI

**Asosiy va qo'shimcha ishlash tezligi** – asosiy ish tezligi go'shtni maydalash uchun, qo'shimcha tezligi esa yumshoq meva va sabzavotlarni masalan, pomidor, qizil smorodina, maymunjon, qorag'at va shunga o'xshash boshqa mevalarni

ishlash uchun mo'ljallangan. Tezligini qarab bilish uchun har bitta ishlash holatida ishlatish tugmalari boshqa rangda yorishib turadi: asosiy ishlash tezligi ko'k rangda, qo'shimcha ishlash tezligi esa qizil rangda yorishib ma'lum qilinadi.

#### **Teskari aylanish funksiyasi**

**(REVERSE)** – bu funktsiya masalliq maydalanganda tiqilib qolgan bo'laklarni chiqarib tashlash uchun ishlatiladi.

**Masalliq solinadigan patnis** – maydalanadigan masalliqni qulay qilib qo'yish imkonini beradi.

**Tirqishlari o'ichami turlicha bo'lgan ikkita panjara** – masalliqni turli kattalikda maydalash uchun ishlatiladi.

**Maxsus moslamalar** – kolbasa va «kebbe» tayyorlash uchun ishlatiladi.

**Sabzavot va mevalardan sharbat olish birikmasi**

Yumshoq sabzavotlar va danakli mevalar sharbatini olish imkonini beradi.

**Qizib ketishdan saqlash tizimi** – elektr motorni qizib ketishdan saqlaydi va ishlash muddatini uzaytiradi.

#### **DIQQAT!**

- Elektrga ulashdan oldin jihoz o'chirilganini tekshirib ko'ring.
- Go'sht maydalashdan oldin go'shtdagi suyak bilan ortiqcha yog' olib tashlanganligini tekshirib ko'ring.
- Jihoz bilan qo'shib beriladigan turtgichni ishlatting. Masalliqni biror boshqa buyum yoki barmoq bilan turtib kirgizmang.
- Hech qachon go'sht qiymalagichni suvga yoki boshqa suyuqlikka solmang.
- «Kebbe» (17, 18) va kolbasani to'ldirish (15, 16) o'rnatmalarini ishlatganda to'r (10, 13) bilan pichoqni (12) o'rnatmang.
- Go'sht qiymalagichda to'lasi qattiq mahsulotlarni (misol uchun, anbar yoki xren) maydalamang.
- Masalliq tiqilib qolmasligi uchun go'shtni qattiq turtmang.
- Agar birorta qattiq bo'lak shnek yoki pichoq aylanishini to'xtatib qo'ysa tez jihozni o'chiring va yana ishlatishdan oldin qattiq bo'lakni olib tashlang.
- Teskari aylantirishdan (REVERSE) oldin tugmani (8) bosib go'sht maydalagichni o'chiring, 5-6 sekund kutib turgandan keyin (REV) tugmasini (7) bosning.

#### **GO'SHT MAYDALAGICHNI TAYYORLASH**

- Go'sht maydalagichni qutisidan chiqarib oling, o'ralgan qog'ozlarni olib tashlang, korpusini nam mato bilan arting.
- Yechiladigan qismlarini mo'tadil yuvish vositasi bilan iliq suvda yuving, chayib tashlang va yig'ishdan oldin yaxshilab quritib oling.

#### **GO'SHT MAYDALAGICHNI ISHLATISH**

(umumiy qoidalar)

- Go'sht maydalagich faqat uy sharoitida suyaksiz go'shtni qiymalashga mo'ljallangan.
- Birinchi marta ishlatishdan oldin elektr tarmog'idagi quvvat jihoz ishlaydigan quvvatga to'g'ri kelishini tekshirib ko'ring.
- Jihozni yig'ib tekis va quruq joyga qo'ying
- Korpusidagi havo kiradigan joylar berkilib qolmaganini tekshirib ko'ring.
- Elektr vilkasini rozetkaga ulang.
- Go'sht qiymalagich kallagi (3) ostiga birorta idish qo'ying.
- Go'sht to'liq muzdan tushganini tekshirib ko'ring, ortiqcha yog' bilan suyakni olib tashlang, go'shtni patnisdagi ochiq joydan (2) o'tadigan qilib to'rtburchak yoki tasma ko'rinishida to'g'rang.
- Tugmani (8) bosib jihozni ishlatting.
- Shoshilmasdan turtgich (1) bilan go'shtni go'sht qiymalagich kallagi (3) og'ziga kiriting.
- Ishlaganda jihoz bilan qo'shib beriladigan turtgichni (1) ishlatting.
- Go'shtni turtib kiritish uchun boshqa buyumlarni ishlatish ta'qiqlanadi, hech qachon go'shtni barmoq bilan turtib kiritmang.
- Go'sht yoki boshqa masalliqni kuch bilan turtib kiritmang.
- Go'sht qiymalanayotganda go'sht tiqilib qolishi mumkin, tiqilib qolgan go'shtni olib tashlash uchun teskari aylantirish funksiyasini (REV) ishlatish kerak. Buning uchun tugmani (8) bosib go'sht qiymalagichni o'chiring, elektr motor to'liq to'xtashini kutib turing, shundan so'ng (REV) tugmasini (7) bosning, 5-6 sekunddan keyin yana odatdagi ishlash holatiga qayting.
- Jihoz uzluksiz ishlaydigan vaqt 5 daqiqadan oshib ketmasligi kerak.
- 5 daqiqa uzluksiz ishlagandan keyin jihozni o'chirib sovushini kutib turish kerak, shundan so'ng uni yana ishlatish mumkin bo'ladi.

- Ishlatib bo'lganingizdan keyin darhol tugmasini (7) bosib go'sht maydalagichni o'chiring, elektrdan uzib qo'ying va shundan so'ng uni qismlarga ajratib.

## GO'SHT QIYMALASH

1. Shnekni (11) go'sht maydalagich kallagi korpusiga (3) kiritib, xochsimon pichoqni (11) mahkamlang, panjaraning (10, 13) birini olib panjaradagi ochiq joyni go'sht maydalagich kallagi korpusidagi (3) chiqqan joyga kiritib pichoqning ustiga qo'ying, kuch ishlatmasdan gaykani (14) qotiring.

### Diqqat!

- **Agar pichoq noto'g'ri qo'yilsa (qirqadigan tomoni shnek tomonida bo'lib qolsa) go'shtni qiymalamaydi.**
  - **Go'sht maydalagichni yig'ganda gaykani (14) qattiq buramang, go'sht maydalagich kallagi yig'ilib qo'yilgandan keyin gaykani (14) qattiq tortish mumkin.**
  - **Ochiq joylari yirik to'r (13) bilan ochiq joylari o'rtacha to'r (10) xom go'sht, baliqni qiymalash uchun ham, pishgan masalliq, meva, quruq mevalar, pishloq va hk. maydalash uchun ham to'g'ri keladi.**
2. Yig'ilgan go'sht qiymalagich kallagini (3) korpusdagi (5) o'rniga qo'yib, qotguncha soat miliga teskari aylantiring (go'sht qiymalagich umumiy ko'rinishiga qarang).
  3. Gaykani (14) yaxshilab tortib qotiring.
  4. Go'sht qiymalagich kallagi og'ziga (3) masalliq solinadigan patnisni (2) qo'ying.
  5. Elektr vilkasini rozetkaga ulang.
  6. Tugmani (8) bosib go'sht maydalagichni ishlatib.
  7. Ishlatayotganda faqat turtgichni (1) ishlatib.

### Eslatma

- **Go'sht oson qiymalanishi uchun uni tasma ko'rinishida yoki to'rtburchak qilib to'g'rab oling. Muzlagan go'shtni oldin muzidan tushirish kerak.**
- **Ishlayotganda faqat jihoz bilan qo'shib beriladigan turtgichni ishlatib; go'shtni turtib kiritish uchun biror boshqa buyumni ishlatish ta'qiqlanadi, hech qachon go'shtni qo'lingiz bilan turtib kirgizmang.**

8. Ishlatib bo'lishingiz bilan tugmasini (8) bosib go'sht maydalagichni o'chiring, uni elektrdan uzib qo'ying, shundan keyin uni qismlarga ajratsangiz bo'ladi.
9. Go'sht maydalagich kallagini olish uchun mahkamlagich (4) tugmasini bosib, go'sht maydalagich kallagini (3) soat mili tomonga aylantirib yechib oling (go'sht qiymalagich umumiy ko'rinishiga qarang).
10. Go'sht maydalagich kallagini qismlarga ajratish uchun gaykani (14) bo'shatib go'sht maydalagich kallagi korpusidan panjara (10 yoki 13), pichoq (12) va shnekni (11) chiqarib oling.

### Diqqat!

- **Agar go'sht qiymalanayotganda go'sht tiqilib qolsa teskari aylantirish funksiyasini ishlatib; buning uchun tugmani (8) bosib go'sht maydalagichni o'chiring, elektr motor aylanishi to'xtashini kutib turing va (REV) tugmasini (7) bosib, 5-6 sekunddan keyin yana odatdagi ishlash holatiga qaytaring.**
- **Agar ishlayotgan vaqtida shnek (11) bilan pichoqning (12) aylanishi to'xtab qolsa:**
  - **tugmani (8) bosib go'sht maydalagichni o'chiring, elektr vilkani rozetadan chiqarib oling;**
  - **taxminan 20-30 daqiqa elektr motor sovushini kutib turing;**
  - **ishlatish tugmasini (9) bosib avtomatik saqlagich holatini tekshirib ko'ring;**
  - **go'sht maydalagichni yana ishlatib.**

## KOLBASA TO'LDIRISH

1. Qiyma tayyorlang.
2. Go'sht qiymalagich kallagi korpusiga (3) shnekni (11) o'rnatib, shnekka kolbasa to'ldiradigan o'rnatmani (15, 16) mahkamlang; o'rnatmadagi (15) ochiq joy go'sht maydalagich kallagi korpusidagi (3) chiqib turgan joyga to'g'ri kelishi kerak, shundan so'ng gaykani (14) yengil torting.
3. Go'sht qiymalagich yig'ilgan kallagini qo'yib soat miliga teskari aylantirib qotiring (go'sht maydalagich umumiy ko'rinishiga qarang), gaykani (14) mahkamlab qotiring.
4. Masalliq solinadigan patnisni (2) qo'ying.
5. Tayyor qiymani masalliq solinadigan patnisga (2) soling.

6. Kolbasa tayyorlash uchun tabiiy qobiq ishlatib, qobiqni oldin 10 daqiqa iliq suv quyilgan idishga solib qo'yish kerak.
7. Yumshagan qobiqni o'rnatmaga (16) kiydiring, qobiq orqasini ip bilan bog'lang.
8. Elektr vilkasini rozetkaga ulang.
9. Tugmani (8) bosib go'sht maydalagichni ishlatib.
10. Tayyor qiyma qobiqqa kirishi uchun turtgich (1) ishlatib, qobiq to'lib borishi bilan uni o'rnatmadan (16) chiqarib turing, qobiq qurib qolsa suv bilan namlab oling.
11. Ishlatib bo'lishingiz bilan tugmasini (8) bosib go'sht maydalagichni o'chiring, uni elektrdan uzib qo'ying, shundan keyin uni qismlarga ajratsangiz bo'ladi.
12. Go'sht maydalagich kallagini olish uchun mahkamlagich (4) tugmasini bosib, go'sht maydalagich kallagini soat mili tomonga aylantirib yechib oling (go'sht qiymalagich umumiy ko'rinishiga qarang).
13. Gaykani (14) bo'shatib go'sht maydalagich kallagini qismlarga ajrating.
8. Tayyor qiyma qobiqqa kirishi uchun turtgich (1) ishlatib.
9. Kerakli uzunlikdagi quvurchalarni kesib oling.
10. Ishlatib bo'lishingiz bilan tugmasini (8) bosib go'sht maydalagichni o'chiring, uni elektrdan uzib qo'ying, shundan keyin uni qismlarga ajratsangiz bo'ladi.
11. Go'sht maydalagich kallagini olish uchun mahkamlagich (4) tugmasini bosib, go'sht maydalagich kallagini (3) soat mili tomonga aylantirib yechib oling (go'sht qiymalagich umumiy ko'rinishiga qarang).
12. Gaykani (14) bo'shatib go'sht maydalagich kallagini qismlarga ajrating.

## RESEPT

### (to'ldiriladigan masalliq)

Qo'y go'shti	100 g
Zaytun yog'i	1, 1/2 osh qoshiq
Piyoz (mayda to'g'ralgan)	1, 1/2 osh qoshiq
Ziravor	ta'bga qarab
Tuz	1/4 choy qoshiq
Un	1, 1/2 osh qoshiq

- Qo'y go'shti bir yoki ikki marta go'sht qiymalagichdan o'tkazib olinadi.
- Piyoz sarg'ayguncha yog'da qovuriladi, shundan so'ng qiymalangan qo'y go'shti, ziravor, tuz va un qo'shiladi.

### (Qobig'i)

Yog'siz go'sht	450 g
Un	150-200 g
Ziravor	ta'bga qarab
Muskat yong'og'i	1 dona
Maydalangan garmdori	ta'bga qarab
Murch	ta'bga qarab

- Go'sht go'sht qiymalagichda uch marta qiymalab olinadi, muskat yong'og'i ham maydalanib masalliq aralashiriladi.
- Tashqi qobiqda go'sht ko'proq bo'lib un kamroq bo'lsa taom quyuyq va mazali bo'ladi.

### «KEBBE» O'RNATMASINI ISHLATISH

Kebbe yaqin sharq xalqlarining qo'zi go'shti, un va ziravor bilan pishiriladigan an'anaviy taomi hisoblanadi. Taom pishirish uchun masalliq aralashirilib naycha qilish uchun asos tayyorlanadi. Naychalarga masalliq to'ldirilib yog'da qovurib olinadi.

Naychaga solinadigan masalliqni o'zgartirib turli tansiq taomlar pishirish mumkin.

1. Qobiq asosini tayyorlang.
2. Go'sht qiymalagich kallagi korpusiga (3) shnekni (11) o'rnatib, shnekka «kebbe» o'rnatmasini (17, 18) mahkamlang; o'rnatmadagi (17) ochiq joy go'sht maydalagich kallagi korpusidagi (3) chiqib turgan joyga to'g'ri kelishi kerak, shundan so'ng gaykani (14) yengil torting.
3. Go'sht qiymalagich yig'ilgan kallagini qo'yib soat miliga teskari aylantirib qotiring (go'sht maydalagich umumiy ko'rinishiga qarang), gaykani (14) mahkamlab qotiring.
4. Masalliq solinadigan patnisni (2) qo'ying.
5. Qobiq asosini masalliq solinadigan patnisga (2) soling.
6. Elektr vilkasini rozetkaga ulang.
7. Tugmani (8) bosib go'sht maydalagichni ishlatib.

- Tayyor naychalarga masalliq solinadi, cheti biriktiriladi va kerakli shaklga solinadi.
- Naychalar yog'da qovurib pishiriladi.

## Eslatma:

**Kolbasa tayyorlashda ishlatiladigan birikmalar (15, 16) bilan «kebbe» tayyorlashda ishlatiladigan birikmalarni (17, 18) turtgichga (1) solib saqlash mumkin (rasm A).**

## SABZAVOT TO'G'RAGICH

- Qirg'ichni (22), to'g'ragich (21) yoki draniklar uchun birikmani (23) sabzavot to'g'ragich korpusiga (20) o'rnatish.
- Sabzavot to'g'ragich korpusini (20) soat miliga teskari tomonga oxirigacha burab mahkamlang (go'sht qiymalagich umumiy ko'rinishiga qarang).
- Elektr vilkasini rozetkaga ulang.
- Tugmani bosib (8) go'sht maydalagichni ishlatish.
- Ishlayotganda faqat jihoz bilan qo'shib beriladigan turtgichni (19) ishlatish; sabzavotni turtib kiritish uchun biror boshqa buyumni ishlatish ta'qiqlanadi, hech qachon sabzavotni qo'lingiz bilan turtib kirgizmang.
- Sabzavot to'g'ragich birikmasini (20) yechish uchun korpusdagi (5) mahkamlagich tugmasini (4) bosib, soat mili tomonga burang (go'sht qiymalagich umumiy ko'rinishiga qarang).
- Pomidor kabi yumshoq sabzavotlarni to'g'rash uchun past tezlikni ishlatish, buning uchun past tezlikda ishlash tugmasini bosib (6), shunda tugmalarning rangi ko'kdan qizilga aylanadi.
- Ishlatib bo'lishingiz bilan qaytatdan tugmani (6) bosib shnekning past tezlikda ishlashini o'chiring, shundan so'ng tugmani bosib (8) go'sht maydalagichni o'chiring, uni elektrdan uzib qo'ying.

## SHARBAT CHIQARGICH

- Konus ko'rinishidagi filtrlı birikmani (26) plastik shnekka (25) biriktiring, shundan so'ng ularni sharbat chiqargich korpusiga (24) biriktiring.
- Korpusdagi (24) ochiq joyga chiqib turgan joyni to'g'rilab korpusni qopqoq (27) bilan yoping, so'ng mahkamlanishi uchun

«CLOSE» tomonga kelguncha soat miliga teskari aylantiring.

- Murvatdagi ko'rsatgichni «0» belgisiga to'g'rilab, bir oz bosib va soat miliga teskari aylantirib sharbat siqishni o'zgartirish murvatini (28) sharbat chiqargich qopqog'iga (27) o'rnatish.
- Birikma (24) korpusini korpusdagi (5) joyiga kiritish va qotguncha soat miliga teskari aylantirish (go'sht maydalagich umumiy ko'rinishiga qarang).
- Masalliq solinadigan patnisni (2) biriktiring.
- Elektr vilkasini rozetkaga ulang.
- Tugmani (8) bosib go'sht qiymalagichni ishlatish.
- Tugmasini (6) bosib past tezlikda ishlashga o'tkazish, shunda tugmalarning yorishishi ko'kdan qizilga aylanib past tezlikda ishlashga o'tilganini ko'rsatadi.
- Ishlayotganda faqat jihoz bilan qo'shib beriladigan turtgichni (1) ishlatish; sabzavotni turtib kiritish uchun biror boshqa buyumni ishlatish ta'qiqlanadi, hech qachon sabzavotni qo'lingiz bilan turtib kirgizmang.
- Sharbat siqilishini o'zgartirish murvatini (28) 3 holatda ishlashi mumkin. Qopqoqda (27) tegishli alomatlar ko'rsatilgan. Meva yoki sabzavot turiga qarab sharbat siqilishini o'zgartirish uchun o'zgartirgich konussimon birikmaning holatini «1» «2» «3» alomatlariga muvofiq, shnek tomonga o'tkazib, o'zgartiradi.

## GO'SHT QIYMALAGICHNI TOZALASH

- Ishlatib bo'lganingizdan keyin tugmasini (8) bosib go'sht qiymalagichni o'chiring, elektr vilkasini rozetkadan chiqarib oling.
- Mahkamlagich (4) tugmasini bosib, go'sht maydalagich kallagini soat mili tomonga aylantirib yechib oling (go'sht maydalagich umumiy ko'rinishiga qarang).
- Gaykani (14) bo'shatib qo'yilgan o'rnatmalarni (15, 16 yoki 17, 18), panjaralarni (10 yoki 13), pichoqni (12) shnekdan (11) chiqarib oling.
- Go'sht maydalagich kallagidan (3) shnekni (11) chiqaring.
- Shnekdagi masalliq qoldig'ini olib tashlang.
- Go'sht maydalagich qismlarini (1, 2, 15, 16, 17, 18, 19, 25, 26, 27, 28) idish yuvadigan mashinada yuvish mumkin.



- Birikmalarni (15,16, 17, 18) turtgich (1) ichida saqlash mumkin (rasm A).
- Go'sht maydalagich korpusini (5) nam mato bilan artib oling.
- Sharbat chiqaradigan birikmalarni yuvirish uchun korpusdagi (5) mahkamlagich (4) tugmasini bosib, soat mili tomonga aylantirib chiqarib oling (go'sht qiymalagich umumiy ko'rinishida ko'rsatilgan).
- Qopqoqni (27) soat mili tomonga burab, «OPEN» tomonga o'tkazib oching, konussimon filtrlı birikma (26) bilan plastik shnekni (25) chiqarib oling.
- Sharbat siqilishini o'zgartirish murvatini (27) soat mili tomonga burab «0» tomonga keltiring va yechib oling.
- Shnekdagi masalliq qoldig'ini olib tashlang.
- Go'sht maydalagich qismlarining hammasini mo'tadil yuvish vositasi bilan iliq suvda yuving, chayib tashlang va yig'ishdan oldin quritib oling.
- Go'sht maydalagich korpusini (5) tozalash uchun eritgichlar yoki qirib tozalaydigan vositalarni ishlatish ta'qiqlanadi.
- Go'sht maydalagich korpusi ichiga suv tushirmang.
- Qurigan qismlarini saqlab olib qo'yishdan oldin panjaralari (10, 13) bilan pichog'ini (12)

o'simlik yog'i bilan moylang – shunda ular zanglashdan himoya qilingan bo'ladi.

#### **TEXNIK XUSUSIYATLARI**

Ishlaydigan elektr quvvati: 220-240 V ~ 50/60 Hz  
Eng ko'p quvvati: 1500 W

*Ishlab chiqaruvchi oldindan xabar bermay jihozning ko'rinishi va texnik xususiyatlarini o'zgartirish huquqini saqlab qoladi.*

#### **Jihozning ishlash muddati 5 yil**

#### **Kafolat shartlari**

*Ushbu jihozga kafolat berish masalasida hududiy diler yoki ushbu jihoz xarid qiningan kompaniyaga murojaat qiling. Kassa cheki yoki xaridni tasdiqlaydigan boshqa bir moliyaviy hujjat kafolat xizmatini berish sharti hisoblanadi.*

*Ushbu jihoz 89/336 YAES Ko'rsatmasi asosida belgilangan va Quvvat kuchini belgilash Qonunida (73/23 YAES) aytilgan YAXS talablariga muvofiq keladi.*



**GB**

A production date of the item is indicated in the serial number on the technical data plate. A serial number is an eleven-unit number, with the first four figures indicating the production date. For example, serial number 0606xxxxxx means that the item was manufactured in June (the sixth month) 2006.

**DE**

Das Produktionsdatum ist in der Seriennummer auf dem Schild mit technischen Eigenschaften dargestellt. Die Seriennummer stellt eine elfstellige Zahl dar, die ersten vier Zahlen bedeuten dabei das Produktionsdatum. Zum Beispiel bedeutet die Seriennummer 0606xxxxxx, dass die Ware im Juni (der sechste Monat) 2006 hergestellt wurde.

**RUS**

Дата производства изделия указана в серийном номере на табличке с техническими данными. Серийный номер представляет собой одиннадцатизначное число, первые четыре цифры которого обозначают дату производства. Например, серийный номер 0606xxxxxx означает, что изделие было произведено в июне (шестой месяц) 2006 года.

**KZ**

Бұйымның шығарылған мерзімі техникалық деректері бар кестедегі сериялық нөмірде көрсетілген. Сериялық нөмір он бір саннан тұрады, оның бірінші төрт саны шығару мерзімін білдіреді. Мысалы, сериялық нөмір 0606xxxxxx болса, бұл бұйым 2006 жылдың маусым айында (алтыншы ай) жасалғанын білдіреді.

**RO/MD**

Data fabricării este indicată în numărul de serie pe tabelul cu datele tehnice. Numărul de serie reprezintă un număr din unsprezece cifre, primele patru cifre indicând data fabricării. De exemplu, dacă numărul de serie este 0606xxxxxx, înseamnă că produsul dat a fost fabricat în iunie (luna a asea) 2006.

**CZ**

Datum výroby spotřebiče je uveden v sériovém čísle na výrobním štítku s technickými údaji. Sériové číslo je jedenáctimístní číslo, z nichž první čtyři číslice znamenají datum výroby. Například sériové číslo 0606xxxxxx znamená, že spotřebič byl vyroben v červnu (šestý měsíc) roku 2006.

**UA**

Дата виробництва виробу вказана в серійному номері на табличці з технічними даними. Серійний номер представляє собою одинадцятизначне число, перші чотири цифри якого означають дату виробництва. Наприклад, серійний номер 0606xxxxxx означає, що виріб був виготовлений в червні (шостий місяць) 2006 року.

**BEL**

Data vytvorčasčí vyřabu řakazana ů serійnym nūmary na tabřlřke z řechnĩnyimi řadzenĩmi. Serійny nūmar řradřtaůľe řaboů adřĩnařãtae řyřlo, řerřyřa řatřry řĩřby řyoga abaznařaůů řatř vytvorčasčí. Nařryřklad, serійny nūmar 0606xxxxxx ařnařae, řto řyřab řyů řřobľen ů řervenĩ (řosty řeřařã) 2006 řoda.

**UZ**

Mahsulot ishlab chiqarilgan muddat texnik xususiyatlari yozilgan yorliqdagi seriya raqamida ko'rsatilgan. Seriya raqami o'n bitta raqamdan iborat bo'ladi, birinchi to'rtta son ishlab chiqarilgan sanani bildiradi. Misol uchun, seriya raqami 0606xxxxxx bo'lsa, mahsulot iyun (oltinchi oy) 2006 yili ishlab chiqarilgan bo'ladi.



© ООО ГОЛДЕР-ЭЛЕКТРОНИКС, 2011  
GOLDER-ELECTRONICS LLC, 2011

