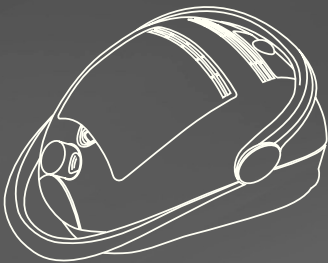


## BSG7...GB

Instructions for use



**BOSCH**



Intended use .....	.5
Safety information .....	.5
Disposal information .....	.5
Your vacuum cleaner .....	.6
Setting up .....	.7
Vacuuming .....	.9
When the work is done .....	.18
Changing the dust bag and filters .....	.20
Care .....	.24
Replacement parts and accessories .....	.25



Please keep this instruction manual.  
Please pass on this instruction manual if you pass this vacuum cleaner on to a new owner.

## Intended use

This vacuum cleaner is intended for domestic use and not for commercial use.  
This vacuum cleaner should only be used in accordance with this instruction manual.

The manufacturer will not accept any responsibility for damage caused by improper use or incorrect operation. Therefore, please note the following points.

The vacuum cleaner must only be operated with:

- Manufacturer's original dust bags
- Manufacturer's replacement parts, accessories and optional accessories

The vacuum cleaner is not to be used for:

- Vacuuming persons or animals
- Vacuuming up:
  - insects or spiders
  - hazardous, sharp-edged, hot or burning substances
  - damp or liquid substances
  - highly flammable or explosive substances and gases
  - Ash, soot from tiled stoves and central heating systems

## Safety information

This vacuum cleaner complies with the recognised rules of technology and the relevant safety regulations. We confirm compliance with the following European directives: 89/336/EEC (amended by Directives 91/263/EEC, 92/31/EEC and 93/68/EEC). 73/23/EEC (amended by Directive 93/68/EEC).

- Always observe the information on the rating plate when using the vacuum cleaner and connecting to the power supply.
- Never use the vacuum cleaner without a dust bag fitted.
  - => This can damage the vacuum cleaner.
- Only allow children to use the vacuum cleaner under strict supervision.
- Keep the vacuum cleaner away from the face when using tools and tubes.
  - => Risk of injury.
- Never carry the vacuum cleaner by the power cord.
- Fully extend the power cord when using the vacuum cleaner continuously for several hours.
- When disconnecting the appliance from the mains, pull the plug, not the power cord.
- Do not pull the power cord around sharp corners or allow it to become trapped.
- Unplug the vacuum cleaner from the mains before carrying out any work on it.

- Do not use the vacuum cleaner if it is damaged. Unplug the power cord from the mains if a fault is detected.
- To prevent you from being exposed to risks, vacuum cleaner repairs and the fitting of replacement parts must only be carried out by the authorised after-sales service.
- The vacuum cleaner should be protected from outside weather conditions, moisture and sources of heat.
- The vacuum cleaner is not suitable for use on building sites.
  - => Vacuuming up building rubble could damage the vacuum cleaner.
- Switch off the vacuum cleaner when it is not in use.
- At the end of its life, the vacuum cleaner should be disposed of in an appropriate manner.
- For safety reasons, vacuum cleaners with a power rating of more than 2,000 W are fitted with a temperature safety switch. This automatically switches off the vacuum cleaner if it is blocked and overheating. Unplug the vacuum cleaner from the mains and make sure that the nozzles, suction pipe and hose are not blocked and check whether the filter needs replacing. Having cleared the blockage, leave the vacuum cleaner to cool down for at least one hour. It can then be switched back on again.

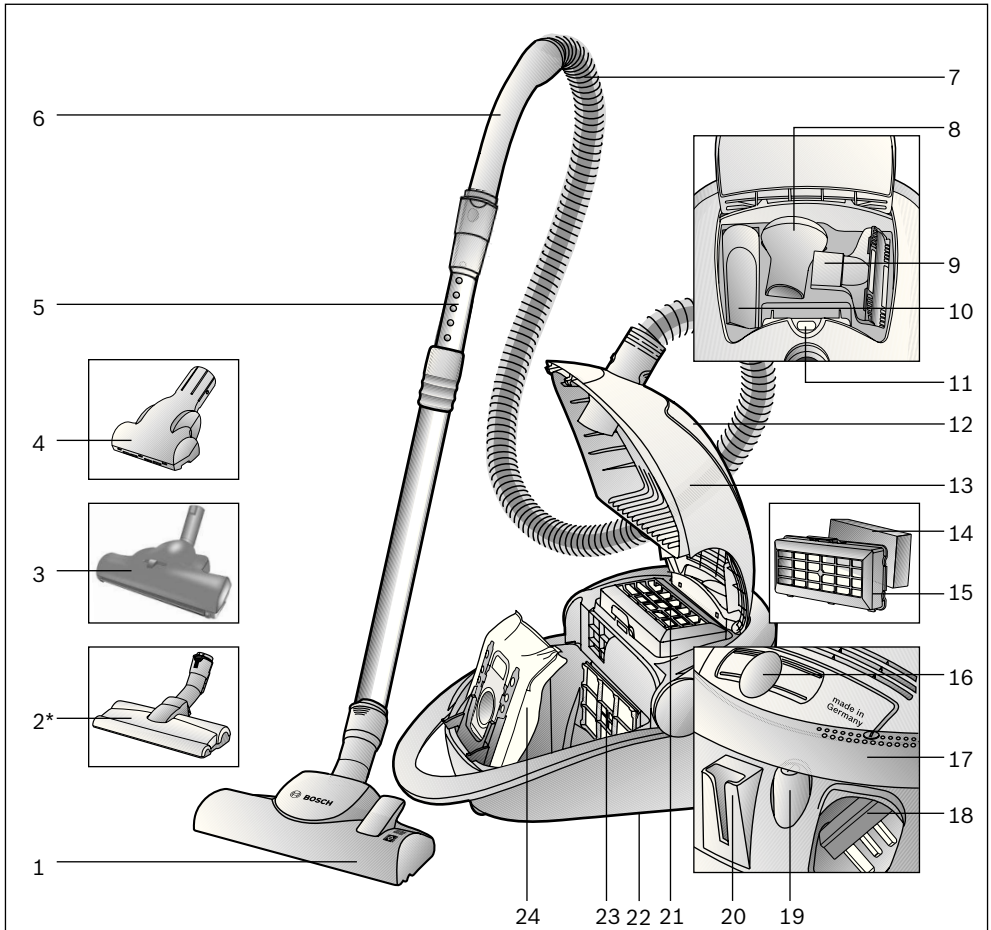
## Disposal information

- **Packaging**  
The packaging is designed to protect the vacuum cleaner from being damaged during transportation. It is made of environment-friendly materials and can be recycled.  
Dispose of packaging that is no longer required at an appropriate recycling point.
- **Used vacuum cleaners**  
Used vacuum cleaners still contain many recyclable materials.  
Therefore, please take used vacuum cleaners to your retailer or recycling centre so that they can be recycled.  
For current disposal methods, please enquire at your appliance dealership or local council.

### ! Please note

- Only connect the appliance to a socket that is protected by at least a 16 amp fuse.  
If a fuse should blow when you switch on the vacuum cleaner, this may be because other electrical appliances which have a high current draw are connected to the same power circuit.  
To prevent the fuse from tripping, select the lowest power setting before switching the vacuum cleaner on, and increase the power only once it is running.

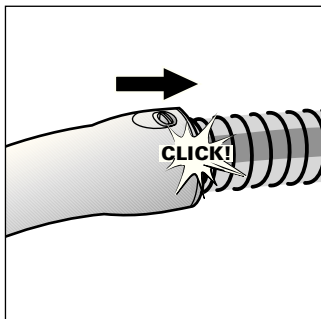
## Your vacuum cleaner



- |  |  |
|--|--|
| 1 Adjustable floor tool with locking collar                | 14 Filter foam   |
| 2 Hard-floor brush with locking collar*                    | 15 Filter holder for micro-hygiene filter                          |
| 3 Turbo brush for floor                                    | 16 Electronic slide control  |
| 4 Turbo brush for upholstery                               | 17 Swing handle; also used as an ON/OFF button and carrying handle |
| 5 Telescopic tube with adjusting sleeve and locking collar | 18 Power cord  |
| 6 Handle   | 19 ON/OFF button   |
| 7 Flexible hose  | 20 Parking aid   |
| 8 Hard furnishings brush                                   | 21 Exhaust filter  |
| 9 Upholstery nozzle  | 22 Storage aid (on underside of unit)                              |
| 10 Crevice nozzle  | 23 Motor protection filter   |
| 11 Dust bag change indicator                               | 24 MEGAfil*SuperTEX dust bag                                       |
| 12 Accessories compartment                                 |  |
| 13 Cover   |  |

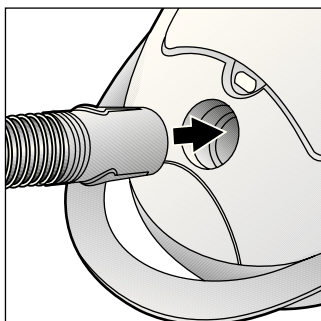
\*Only for model BSG72233GB

## Setting up

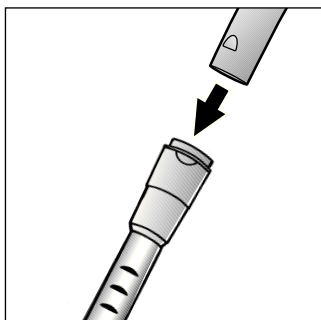


### Before using for the first time

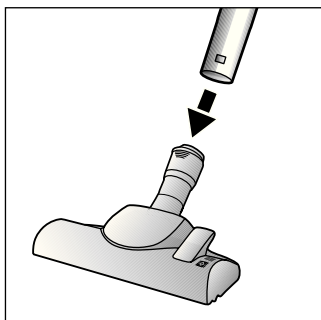
Push the handle onto the flexible hose until it engages.



Insert the flexible hose connector into the opening on the vacuum cleaner until it engages.

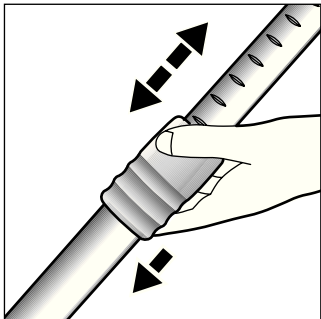


Push the handle into the telescopic tube until it engages.

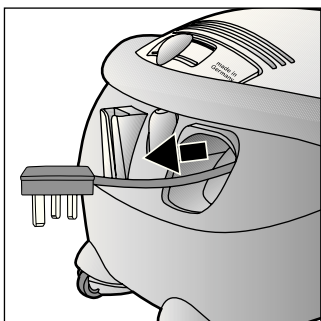


Push the telescopic tube straight into the connecting piece of the floor tool until it engages.

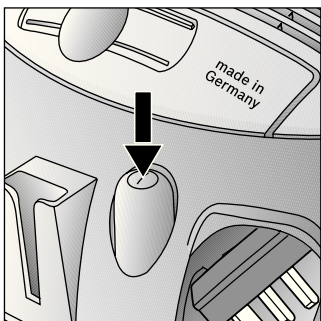
## Setting up



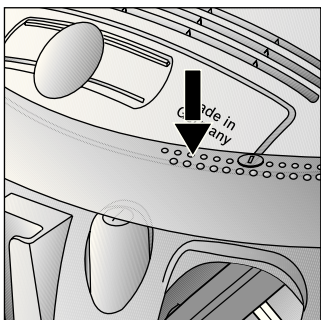
Release the telescopic tube by moving the adjusting sleeve/sliding switch in the direction of the arrow and adjust the tube to the required length.



Take the mains plug, pull the mains cable to the required length and insert the plug into a wall socket.



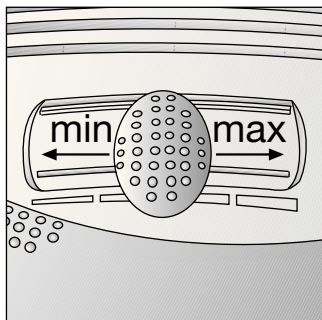
To switch your vacuum cleaner on, press the On/Off button in direction of arrow.






The button can also be pressed using the swing handle.

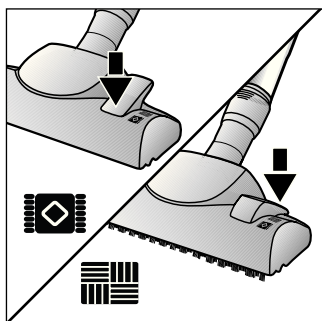


## Vacuuming





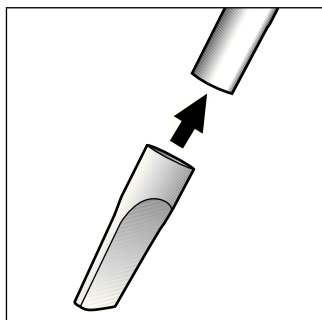
The required suction power can be selected infinitely variably by adjusting the slide control.

- **Lowest**  
suction range:   
For vacuuming delicate fabrics, e.g. curtains.
- **Low**  
suction range:   
For cleaning carpets and when there is little dirt.
- **Medium**  
suction range:   
For vacuuming durable floor coverings, hard floors and for heavily soiled surfaces.
- **High**  
suction range:   
For vacuuming stubborn dirt and very heavily soiled surfaces.



Adjusting the floor tool:

- Rugs and carpets => 
- hard floors => 

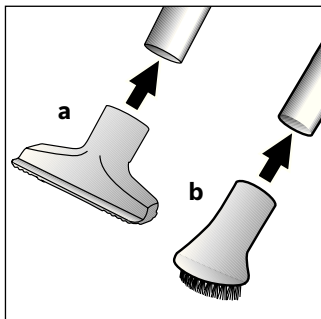


### Vacuuming with accessories

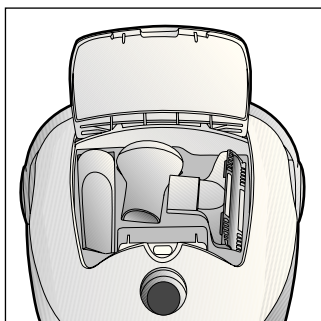
(attach to handle or suction pipe as required).

- Crevice nozzle  
For cleaning crevices and corners.

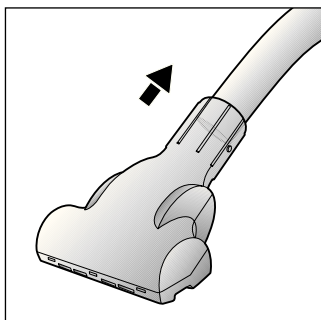
## Vacuuming



- a) Upholstery nozzle  
For cleaning upholstered furniture, curtains, etc.
- b) Furniture brush  
For vacuuming picture frames, books, delicate furniture, etc.



Small accessories that you do not need can be stored in the vacuum cleaner lid.



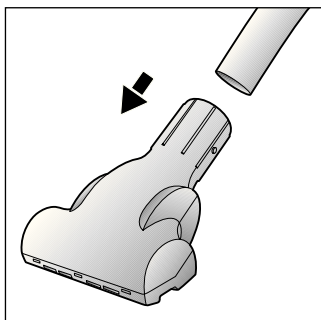
### Turbo brush for upholstery

Connect the turbo brush to the handle.

### Brush vacuuming

#### ! Please note

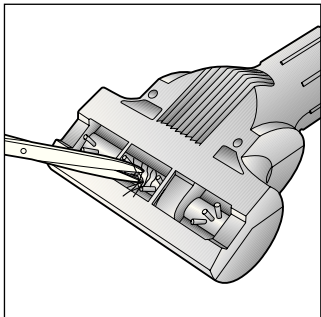
- Only brush vacuum using lower suction levels, i.e. no higher than medium power on the vacuum cleaner.



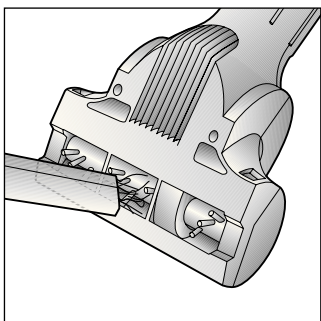
### Maintenance

Switch off the vacuum cleaner and unplug the power cable before carrying out any maintenance work. Remove the turbo brush from the handle.

## Vacuating



Cut off any wrapped around hair or threads using a pair of scissors.



Then vacuum up the threads and hair using the corner nozzle.



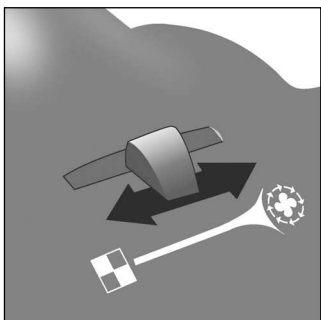
### Turbo brush for floor

Fit the turbo brush onto the suction pipe.

### Vacuating with the brush

#### ! Please observe!

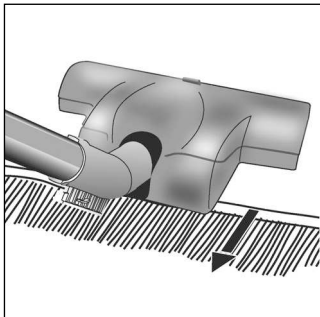
- Only vacuum using the brush on full suction power, i.e. max. performance of the vacuum cleaner.



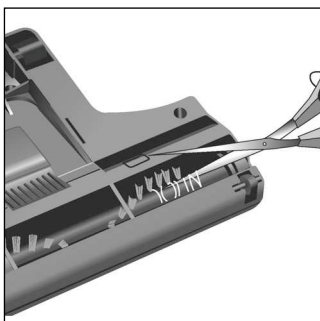
The turbo brush has the possibility to change the rotation speed of the brush from a maximum »A« to a complete stop »B«



Moving the slider a little from »A« to »B« permits an optimum cleaning effect for the different floor coverings (long or short pile carpets). Closing completely the fan inlet (position »B«) it is possible to use the device as a normal floor nozzle.



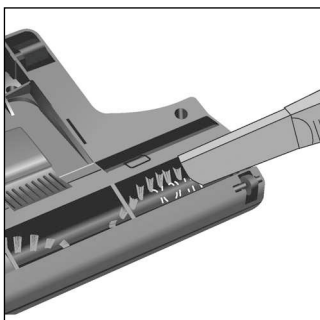
Only brush the fringes in the direction of the arrow.



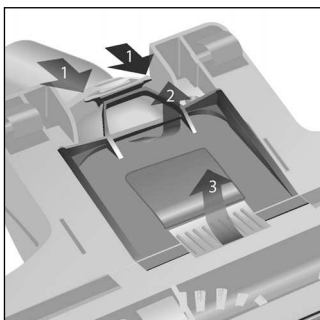
### Maintenance

Always switch off the vacuum cleaner and pull out the plug before performing any maintenance work. Remove the turbo brush from the suction / telescopic pipe.

Cut off any wrapped around hair or threads using a pair of scissors.



Then vacuum up the threads and hair using the corner nozzle.

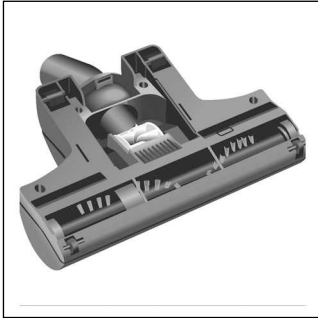


The lower cover can be removed for cleaning the fan and the fan chamber.

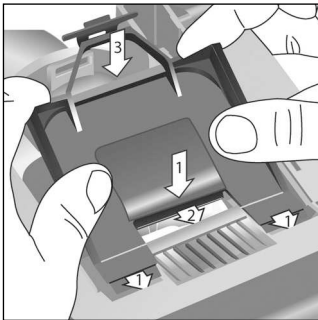
Closed chamber.

To remove the cover act to the two little side wings pushing them toward you, lift up with a light rotation.

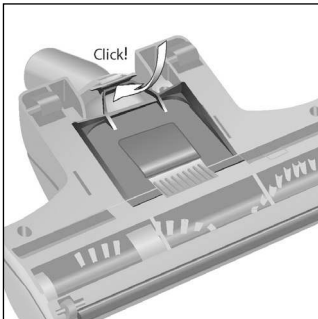
## Vacuating



Open chamber



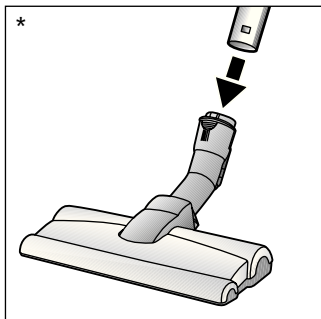
Insert the front lips to reassembly the lower cover



Push the cover up to click.

**! Please observe!**

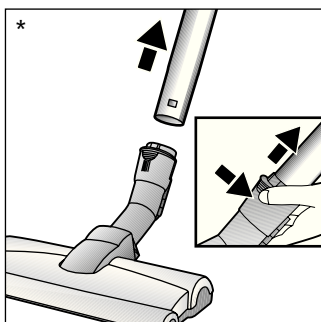
- Never operate the turbo brush without the lower cover or with the lower cover not well locked.



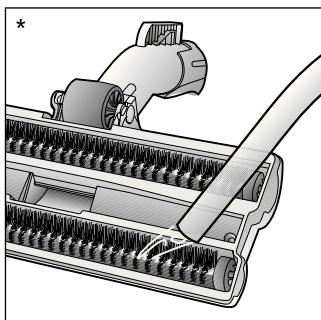
### Hard-floor brush

For vacuuming hard floor coverings (tiles, parquet flooring, etc.)

Push the telescopic tube into the connecting piece of the hard-floor brush until it engages.

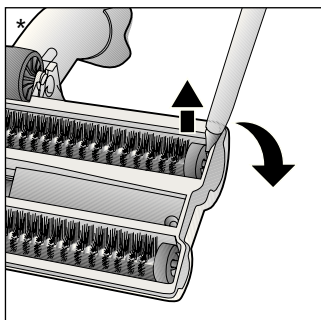


Press on the locking collar and pull out the telescopic tube to disconnect.



### Cleaning the hard-floor brush

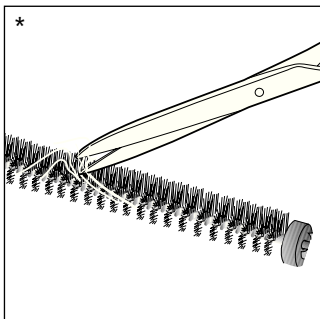
- Vacuum from below to clean the brushes.



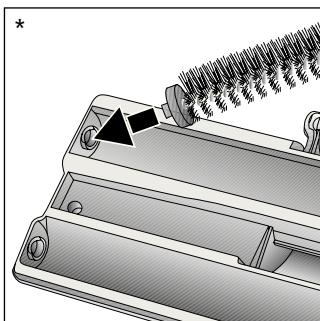
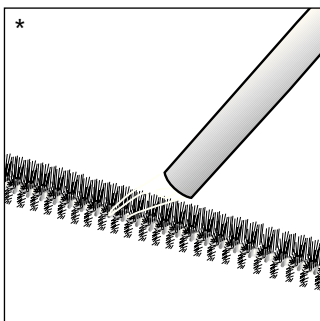
- If they are very dirty, e.g. with hair wrapped around them, remove both brush rollers from the hard-floor tool. To do so, lever the rollers out from the side of the guide using a screwdriver, or similar object.

\*Only for model BSG72233GB

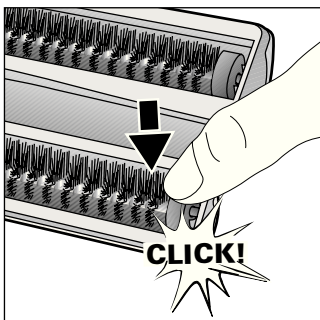
## Vacuuming



- Cut through threads and hairs wound round the rollers using scissors. Vacuum threads and hairs with the crevice nozzle.

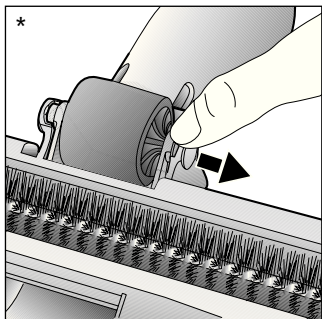


- After cleaning, insert the brush rollers back into the hard-floor tool and click into place.

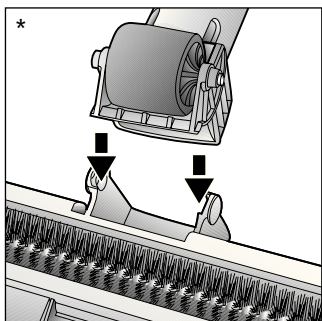
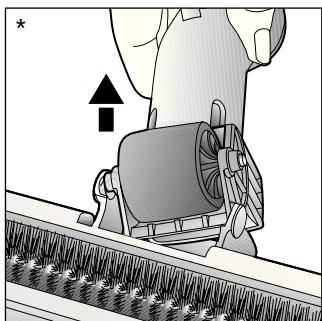


\*Only for model BSG72233GB

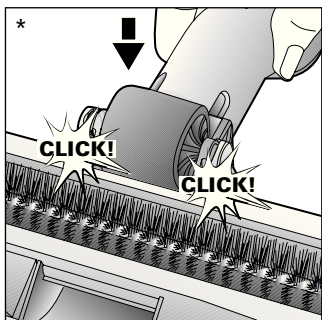
## Vacuuming



- The tool connector can be removed if the vacuum channel becomes blocked.  
Place the brush with the suction opening facing upwards, push the guide at the side of the wheel slightly outwards and pull the tool connector upwards and away from the brush.



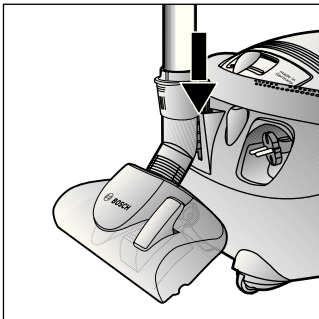
- When refitting the connector, make sure that it is correctly seated and that it engages correctly in the guide.



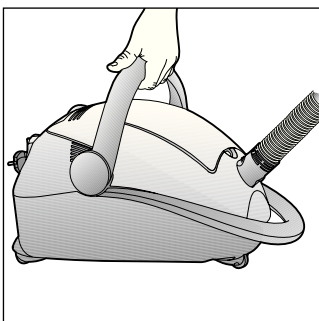
\*Only for model BSG72233GB



## Vacuuming

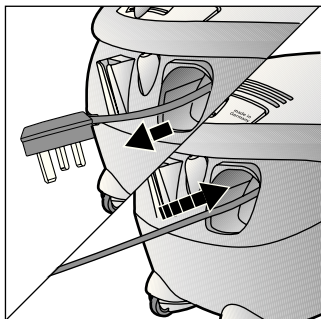


You can use the parking aid on the back of the appliance during short pauses in vacuuming after switching off the vacuum cleaner. To do this, slide the catch on the floor tool into the groove on the back of the appliance.

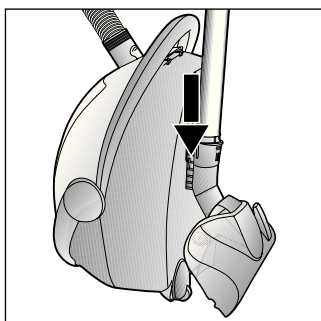


The vacuum cleaner can also be carried using the swing handle when negotiating obstacles such as stairs.

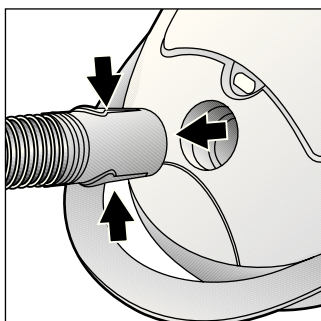
## When the work is done



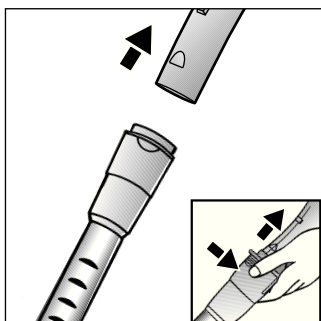
- Rewinding the power cord.
- Tug the power cord and let go (the cable automatically rewinds).



To store or transport the vacuum cleaner, use the storage aid on the underside of the cleaner.  
Stand the vacuum cleaner up on its end.  
Slide the catch on the floor tool into the groove on the underside of the appliance.

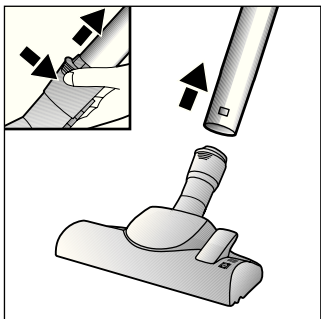


To remove the flexible hose, press the release button and pull out the hose.



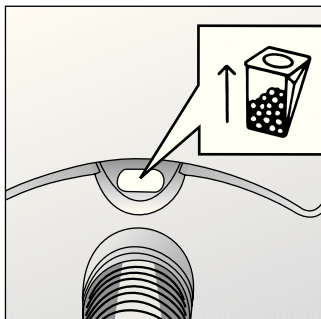
To release the connection, press the unlatching sleeve and pull the handle out.

## When the work is done



Press on the locking collar and pull out the telescopic tube to disconnect.

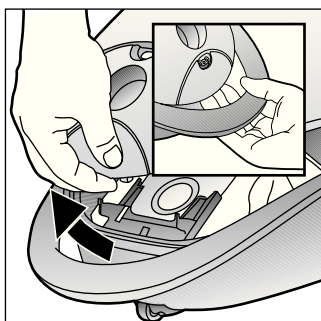
## Changing the dust bag and filters



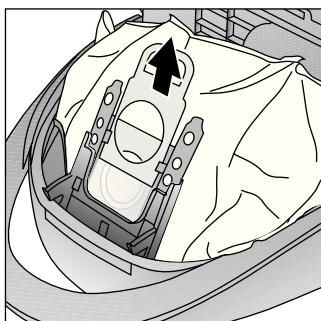
### Replacing the dust bag

If the dust bag change indicator is completely yellow when the floor tool is lifted from the floor and the highest suction power is selected, the dust bag must be changed, even if it is not yet full. In this case it is essential to change the dust bag due to the type of material it contains.

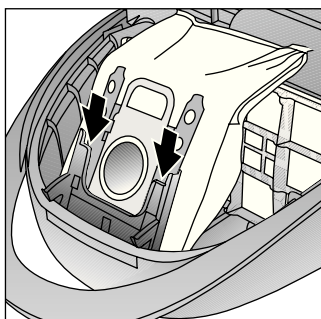
First check that the nozzle, suction pipe and flexible hose are not blocked, as this would also lead to the dust bag change indicator being triggered.



Open the cover by moving the locking lever in the direction of the arrow.



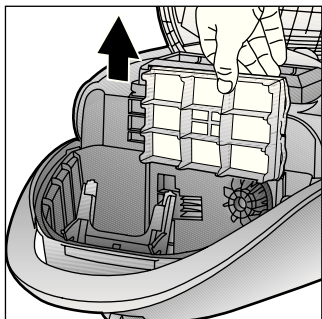
Seal and remove the MEGAFilt<sup>®</sup> SuperTEX dust bag by pulling on the tab as shown.



Place a new MEGAFilt<sup>®</sup> SuperTEX dust bag in the holder and close the dust bag compartment lid.

**Caution:** The cover only closes when a MEGAFilt<sup>®</sup> SuperTEX dust bag has been inserted.

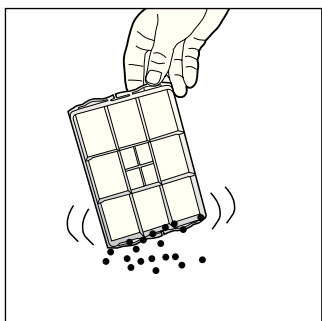
## Changing the dust bag and filters



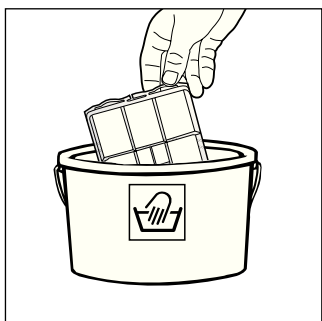
### Cleaning the motor protection filter

The motor protection filter should be cleaned at regular intervals by tapping it or washing it out.

- Open the dust compartment cover.
- Remove the motor protection filter in the direction of the arrow.

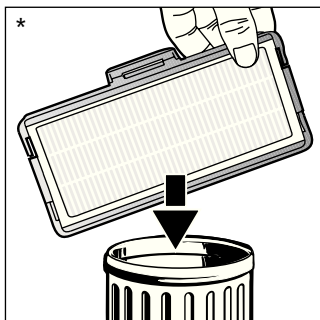


- Empty the motor protection filter by tapping it.



- If the motor protection filter is very dirty, wash it out. Leave the filter to dry for at least 24 hours.
- After cleaning, insert the motor protection filter in the machine and close the dust compartment cover.

## Changing the dust bag and filters



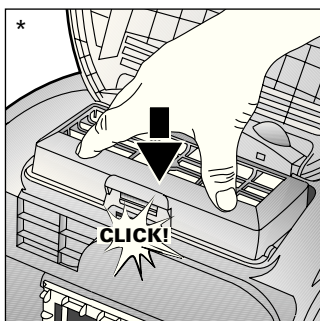
### Replacing the exhaust filter

You must replace the exhaust filter in your vacuum cleaner once a year.

### Replacing the HEPA filter

If your vacuum cleaner is equipped with a HEPA filter, this should be replaced once a year.

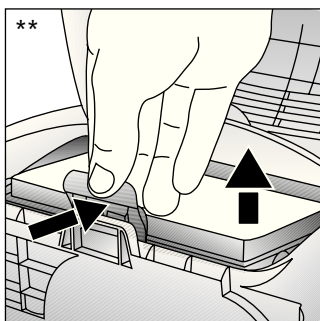
- Open the dust bag compartment lid
- Unlock the HEPA filter by pushing the locking tab in the direction of the arrow and remove it from the vacuum cleaner.



- Insert the new HEPA filter and click it into place.

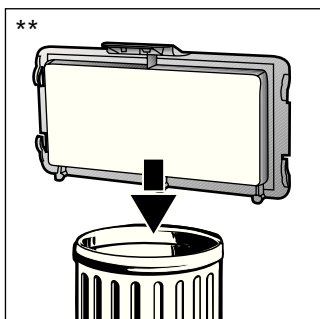
After vacuuming up fine dust particles, shake out the motor protection filter to clean it and replace the micro-hygiene filter, activated carbon filter or HEPA filter if necessary.

\*Only for model BSG72233GB



### Replacing the micro active carbon filter

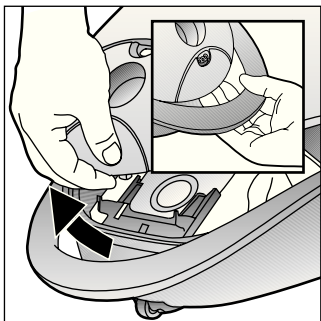
- Open the dust bag compartment lid.
- Release the filter holder by moving the locking lever in the direction of the arrow.
- Remove the micro active carbon filter.



- Insert the new micro active carbon filter into the vacuum cleaner and clip into place.

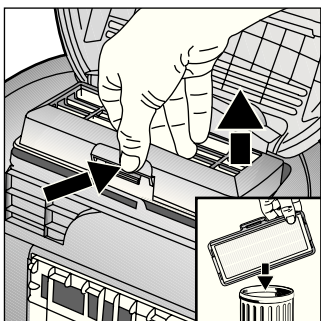
\*\*Only for model BSG72225GB

## Changing the dust bag and filters

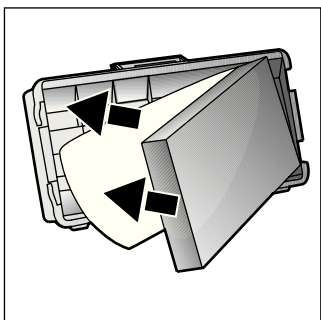


**For using** the attached micro - filters please insert them into the filter holder which is enclosed.

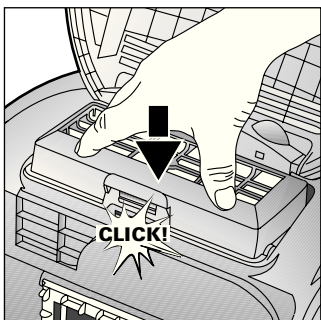
- Open the dust bag compartment lid



- Unlock the exhaust filter by pushing the locking tab in the direction of the arrow and remove it from the vacuum cleaner.

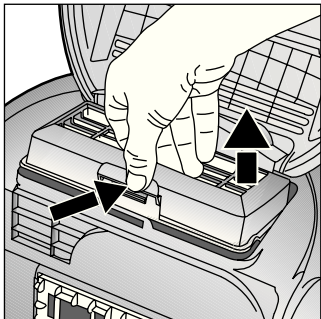


- Place one of the micro-hygiene filters and the foam in the filter holder.



- Insert the filter holder into the vacuum cleaner and clip into place.

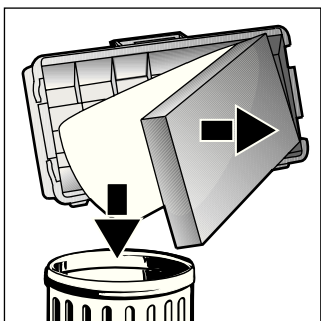
## Changing the dust bag and filters



### Replacing the micro-hygiene filter

The micro hygiene filter should be changed when starting a new pack of bags.

- Open the dust bag compartment lid
- Unlock the filter holder by pushing the locking tab in the direction of the arrow.



- Remove the foam and micro-hygiene filter. Place a new micro-hygiene filter and the foam in the filter holder.
- Insert the filter holder back into the vacuum cleaner and click it into place.

## Care

Always switch off the vacuum cleaner and disconnect the power cord from the mains before cleaning the appliance. The vacuum cleaner and plastic accessories can be cleaned with a commercial plastic cleaner.

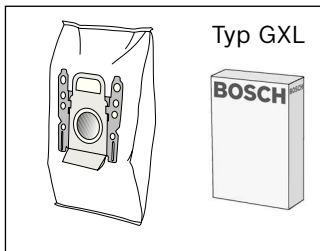
**Do not use a scourer, glass-cleaning agent or multipurpose cleaning product.  
Never immerse the vacuum cleaner in water.**

The dust compartment can, if necessary, be cleaned with a second vacuum cleaner or simply wiped with a dry cloth or dusting brush.

Subject to technical modifications.



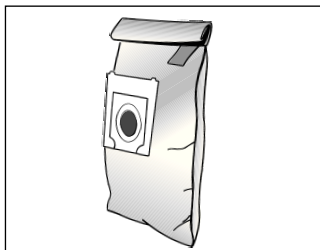
## Replacement parts and accessories



### Replacement filter pack BBZ52AFGXL

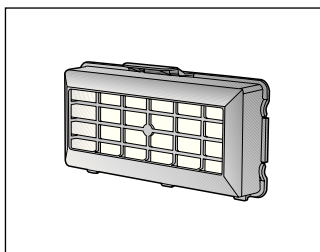
Contents: 5 filter bags with lock  
1 micro-hygiene filter

<http://www.dust-bag-bosch.com>



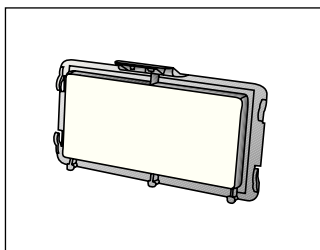
### Textile dust bag (permanent dust bag) BBZ10TFG

Reusable bag with Velcro fastener.



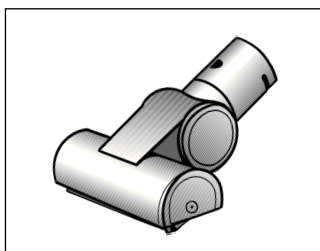
### HEPA filter (Class H12) BBZ152HF

Recommended for allergy sufferers. Ensures very clean exhaust air.  
Replace annually.



### Micro active carbon filter BBZ193MAF

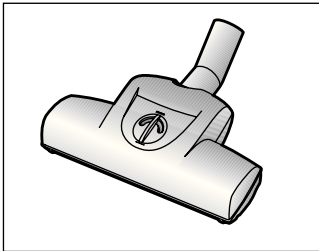
Combination of micro filter and active carbon filter. Combats unpleasant odours. Replace annually.



### TURBO-UNIVERSAL® brush for upholstery BBZ42TB

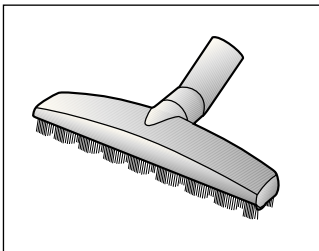
All-in-one brushing and vacuuming of upholstered furniture, mattresses, car seats, etc. Especially suitable for picking up pet hair. The brush roller is driven by the air flow through the vacuum cleaner. No separate electrical connection is needed.

## Replacement parts and accessories



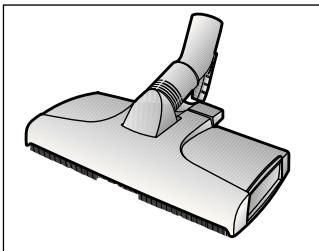
### **TURBO-UNIVERSAL<sup>®</sup> brush for floors BBZ102TBB**

All-in-one brushing and vacuuming of shallow-pile rugs and carpets and all hard floor coverings. Especially suitable for picking up pet hair. The brush roller is driven by the air flow through the vacuum cleaner. No separate electrical connection is needed.



### **Hard floor brush BBZ123HD**

For vacuuming hard floors (parquet flooring, tiles, terracotta, etc.)



### **Washing brush BBZ103WD**

Suitable for use on all hard floors, such as parquet, laminate, stone, wooden floorboards, tiles, etc. (test the moist cleaning cloths on an inconspicuous area before using on hard floors which require particular care). Removes large particles of dirt while the moist cleaning cloth cleans the floor at the same time.

**DE Deutschland, Germany**  
BSH Hausgeräte Service GmbH  
Zentralwerkstatt  
Kleine Hausgeräte  
Trautskirchener Straße 6 – 8  
90431 Nürnberg

Online Auftragsstatus,  
Filterbeutel-Konfigurator und  
viele weitere Infos unter:  
[www.bosch-hausgeraete.de](http://www.bosch-hausgeraete.de)  
Reparaturservice\*  
(Mo-Fr: 8.00-18.00 h erreichbar):  
Tel.: 01801 33 53 03  
<mailto:cp-servicecenter@bshg.com>

Ersatzteilbestellung\*  
(365 Tage rund um die Uhr  
erreichbar):  
Tel.: 01801 33 53 04  
Fax: 01801 33 53 08  
<mailto:spareparts@bshg.com>

\*) 3,9 Ct./Min. aus dem Festnetz  
der T-Com, Mobil ggfs.  
abweichend

**AE United Arab Emirates,**  
الإمارات العربية المتحدة

BSH Home Appliances FZE  
Round About 13,  
Plot Nr MO-0532A  
Jebel Ali Free Zone – Dubai  
Tel.: 04 881 4401  
Fax: 04 881 4805  
[www.bosch-household.ae](http://www.bosch-household.ae)

**AT Österreich, Austria**  
BSH Hausgeräte Gesellschaft  
mbH  
Werkskundendienst für  
Hausgeräte  
Quellenstrasse 2  
1100 Wien

Tel.: 0810 240 260  
innerhalb Österreichs  
zum Regionaltarif  
Tel.: 0810 700 400  
Hotline für Espresso-Geräte  
zum Regionaltarif  
Fax: 01 605 75 51212  
<mailto:hausgeraete.ad@bshg.com>  
[www.bosch-hausgeraete.at](http://www.bosch-hausgeraete.at)

**AU Australia**  
BSH Home Appliances Pty Ltd.  
57-63 McNaughton Roads  
CLAYTON, Victoria 3168  
Tel.: 1300 368 339  
Fax: 1300 306 818  
valid only in AUS  
<mailto:bshau-as@bshg.com>

**BA Bosna i Hercegovina,**  
**Bosnia-Herzegovina**  
"HIGH" d.o.o.  
Odobašina 57  
71000 Sarajewo  
Info-Line: 061 100 905  
Fax: 033 213 513  
[mailto:delicnanda@hotmail.com](mailto:mailto:delicnanda@hotmail.com)

**BE Belgique, België, Belgium**  
BSH Home Appliances S.A.  
Avenue du Laerbeek 74  
Laarbeeklaan 74  
1090 Bruxelles – Brussel  
Tel.: 070 222 141  
Fax: 024 757 291  
[mailto:bru-repairs@bshg.com](mailto:mailto:bru-repairs@bshg.com)  
[www.electro.bosch.be](http://www.electro.bosch.be)

**BG Bulgaria**  
EXPO2000-service  
Ks. Ljulin, bl.549/B - patrer  
1359 Sofia  
Tel.: 02 826 0148  
Fax: 02 925 0991  
<mailto:service@expo2000.bg>

**BH Bahrain, البحرين**  
Khalaifat Est.  
P.O.BOX 5111  
Manama  
Tel.: 703 503  
Fax: 703 883

**BR Brasil, Brazil**  
BSH Continental  
Electrodomésticos Ltda.  
Serviços Autorizados de Fábrica  
Eletrodomésticos  
Rua Barão Geraldo Rezende, 250  
Jd. Guanabara  
13020-440 Campinas/SP  
Tel.: 0800 704 5446  
Fax: 0193 737 7769  
<mailto:HOR-CRM@bshg.com>  
[www.boscheletrodomesticos.com.br](http://www.boscheletrodomesticos.com.br)

**CH Schweiz, Suisse,**  
**Svizzera, Switzerland**  
BSH Hausgeräte AG  
Werkskundendienst für  
Hausgeräte  
Fahrweidstrasse 80  
8954 Geroldswil  
[www.bosch-hausgeraete.ch](http://www.bosch-hausgeraete.ch)  
<mailto:ch-info.hausgeraete@bshg.com>  
Service Tel.: 0848 840 040  
Service Fax: 0848 840 041  
<mailto:ch-reparatur@bshg.com>  
Ersatzteile Tel.: 0848 880 080  
Ersatzteile Fax: 0848 880 081  
<mailto:ch-ersatzteil@bshg.com>

**CY Cyprus, Κύπρος**  
BSH Iliakes Syspevos-Service  
39, Arh. Makaanou III Str  
2407 Egomi/Nikosia (Lefkosia)  
Tel.: 022 819 550  
Fax: 022 658 128  
[mailto:bsh.service.cyprus@cytanet.com.cy](mailto:mailto:bsh.service.cyprus@cytanet.com.cy)

**CZ Česká Republika,**  
**Czech Republic**  
BSH domácí spotřebiče s.r.o.  
Firemní servis domácích  
spotřebičů  
Pekařská 10b  
150 00 Praha 5  
Tel.: 0251 095 546  
Fax: 0251 095 549  
[www.bosch-spotrebice.cz](http://www.bosch-spotrebice.cz)

**DK Danmark, Denmark**  
Bosch Hvidevareservice  
BSH Hvidevarer A/S  
Telegrafvej 4  
2750 Ballerup  
Tel.: 44 89 89 85  
Fax: 44 89 89 86  
[mailto:BSH-Service.dk@BSHG.com](mailto:mailto:BSH-Service.dk@BSHG.com)  
[www.bosch-hvidevarer.com](http://www.bosch-hvidevarer.com)

**EE Eesti, Estonia**  
SIMSON OÜ  
RAUA 55  
10152, Tallinn  
Tel.: 0627 8930  
Fax: 0627 8931  
<mailto:teenindus@simson.ee>

**ES España, Spain**  
BSH Electrodomésticos  
España S. A.  
Servicio BSH al Cliente  
Polígono Malpica, Calle D,  
Parcela 96 A  
50016 Zaragoza  
Tel.: 902 245 255  
<mailto:CAU-Bosch@bshg.com>  
[www.bosch-ed.com](http://www.bosch-ed.com)

**FI Suomi, Finland**  
BSH Kodinkoneet Oy  
Sinimäentie 8, PL 66  
02631 Espoo  
Tel.: 0200 84840  
Fax: 0207 510790  
[www.bosch-kodinkoneet.com](http://www.bosch-kodinkoneet.com)

**FR France**

BSH Electroménager S.A.S.  
SAV Constructeur  
50 Rue Ardoin – BP 47  
93401 Saint-Ouen cedex

Service Dépannage à Domicile:  
0 825 398 010 (0,15 € TTC/mn)

Service Consommateurs:  
0 892 698 010 (0,34 € TTC/mn)

Service Pièces Détachées et  
Accessoires:  
0 892 698 009 (0,34 € TTC/mn)  
www.bosch-electromenager.com

**GB Great Britain**

BSH Home Appliances Ltd.  
BSH Appliance Care,  
Service Division  
Grand Union House  
Old Wolverton Road  
Wolverton

Milton Keynes MK12 5ZR  
www.bshappliancecare.co.uk/  
bosch

Service Requests (nationwide)  
Tel.: 08702 413381  
mailto:mks-servicerequest@  
bshg.com

Spares, Accessories and Central  
Warehouse  
Tel.: 08705 543210  
mailto:mks-spares@bshg.com

Customer Liaison  
Fax: 01908 328660  
mailto:mks-customerliaison@  
bshg.com

Head office  
Tel.: 08705 222777  
Fax: 01908 328670

**GR Greece, Ελλάς**

BSH Ikiakes Siskevas A. B. E.  
Kentriko Ipokatastima Service  
17 km E.O. Athinon-Lamias &  
Potamou 20  
145 64 Kifisia

Griechenland – Athen  
Tel.: 2104 277 701  
Fax: 2104 277 669

Nord-Griechenland – Thessaloniki  
Tel.: 2310 479 298  
Fax: 2310 475 574

Sued-Griechenland –  
Heraklion/Kreta  
Tel.: 2810 325 403  
Fax: 2810 324 585

Zentral-Griechenland –  
Patras  
Tel.: 2610 330 478  
Fax: 2610 331 832  
mailto:cs\_gr\_helpdesk@bshg.com  
www.bosch-home.gr

**HK Hong Kong, 香港**

BSH Home Appliances Limited  
Unit 1&2B, 3th Floor  
North Block, Skyway House  
3 Sham Mong Road  
Tai Kok Tsui, Kowloon  
Hongkong  
Tel.: 2565 6151  
Fax: 2565 6252  
mailto:bshhkg.service@bshg.com

**HR Hrvatska, Croatia**

Andabaka d.o.o.  
Gunduliceva 10  
21000 Split  
Info-Line: 021 481 403  
Info-Fax: 021 481 402  
mailto:servis@andabaka.hr

**HU Magyarország, Hungary**

BSH Háztartási Készülék  
Kereskedelmi Kft.  
Háztartási gépek márkaszervize  
Királyhágó tér 8-9.  
1126 Budapest

Hibabejelentés  
Tel.: 01 489 5461  
Fax: 01 201 8786  
mailto:hibabejelentes@bsh.hu

Alkatrészrendelés  
Tel.: 01 489 5463  
Fax: 01 201 8786  
mailto:alkatrészrendeles@bsh.hu  
www.bosch-haztartasi-gepek.hu

**IE Republic of Ireland**

BSH Home Appliances Ltd.  
BSH Appliance Care,  
Service Division  
Unit F4, Ballymount Drive  
Ballymount Industrial Estate  
Walkinstown  
Dublin 12  
www.bshappliancecare.ie/Bosch  
Service Requests,  
Spares and Accessories  
Tel.: 01450 2655  
Fax: 01450 2520

**IL Israel, ישראל**

C/S/B Home Appliance Ltd.  
Ulief Building  
2, Hamelacha St.  
Industrial Park North  
71293 Lod  
Tel.: 08 9777 222  
Fax: 08 9777 245  
mailto:csb-serv@zahav.net.il

**IS Iceland**

Smith & Norland hf.  
Noatuni 4  
105 Reykjavik  
Tel.: 0520 3000  
Fax: 0520 3011  
www.sminor.is

**IT Italia, Italy**

BSH Elettrodomestici S.p.A.  
Via. M. Nizzoli 1  
20147 Milano (MI)  
Tel.: 02 41336 1  
Fax: 02 41336 610  
Numero verde 800 829120  
mailto:mil-assistenza@bshg.com  
www.bosch-elettrodomestici.it

**KZ Kazakhstan, Қазақстан**

Kombitechnozentr Ltd.  
Shewchenko 147B  
480096 Almaty  
Tel.: 03272 689898  
Fax: 03272 682652

**LB Lebanon, لبنان**

Teheni, Hana & Co.  
Dora Beyrouth  
Jdeideh 114043  
Tel.: 01 255 211  
Fax: 01 257 359  
mailto:Info@Teheni-Hana.com

**LT Lietuva, Lithuania**

Senuku Prekybos Centras UAB.  
Jonavos g. 62  
44192 Kaunas  
Tel.: 0372 12146  
Fax: 0372 12165  
www.senukai.lt

**LU Luxembourg**

BSH électroménagers S.A.  
20, Rue des Peupliers  
2328 Luxembourg-Hamm  
Tel.: 43843 505  
Fax: 43843 525  
mailto:service-electromenager@  
bsh.lu  
www.bosch-hausgeraete.lu

**LV Latvija, Latvia**

Olimpeks Elektroniks Ltd.  
Bullu street 70c  
1067 Riga  
Tel.: 067 42 52 32  
Fax: 067 47 33 00  
mailto:service@olimeks.lv

**SIA Baltijas servisa centrs**

Brivibas gatve 201  
1039 Riga  
Tel.: 67070520  
Tel.: 67070536  
Fax: 67070524  
mailto:domoservice@elkor.lv  
www.servisacentrs.lv

**ME Crna Gora, Montenegro**

Elektronika komerc  
Ulica Slobode 17  
84000 Bijelo polje  
Tel./Fax: 084 432 575  
mailto:elektronikabsh@cg.yu

**MK Macedonia, Македония**  
Vudelgo  
Pero Nakov b.b.  
1000 Skopje  
Tel.: 02 2580 064  
Tel.: 02 2551 099  
mailto:goran@vudelgo.com.mk

**MT Malta**  
Oxford House Ltd.  
Notabile Road  
Mriehel BKR 14  
Tel.: 021 442 334  
Fax: 021 488 656  
www.oxfordhouse.com.mt

**NL Nederlande, Netherlands**  
BSH Huishoud-elektro B.V.  
Keienbergweg 97  
1101 GG Amsterdam Zuidoost

Storingsmelding:  
Tel.: 020 430 3 430  
Fax: 020 430 3 445

Onderdelenverkoop:  
Tel.: 020 430 3 435  
Fax: 020 430 3 400  
mailto:infoteam.nl@bshg.com  
www.boschservicedienst.nl

**NO Norge, Norway**  
BSH Husholdningsapparater A/S  
Grensesvingen 9  
0661 Oslo  
Tel.: 22 66 06 00  
Fax: 22 66 05 50  
5052 Bergen  
Tel.: 55 59 68 80  
Fax: 55 59 68 90  
7037 Trondheim  
Tel.: 73 95 23 30  
Fax: 73 95 23 40  
mailto:hjemmeservice@bshg.com  
www.bosch-hvitevarer.com

**NZ New Zealand**  
BSH Home Appliances Ltd.  
New Zealand Branch  
Building C, 39-43 Apollo Drive  
Mairangi Bay, Auckland 1310  
Tel.: 09 478 6158  
Fax: 09 478 2914  
www.bosch.co.nz

**PL Polska, Poland**  
BSH Sprzęt Gospodarstwa  
Domowego Sp. z o.o.  
Al. Jerozolimskie 183  
02-222 Warszawa  
Centrala Serwisu  
Tel.: 022 57 27 711  
Fax: 022 57 27 709  
mailto:Serwis.Fabryczny@  
bshg.com  
www.bosch-agd.pl

**PT Portugal**  
BSHP Electrodomésticos, Lda.  
Rua Alto do Montijo, nº 15  
2790-012 Carnaxide  
Tel.: 21 4250 700  
Fax: 21 4250 701  
mailto:careline.portugal@  
bshg.com  
www.electrodomesticos.bosch.pt

**RO România, Romania**  
BSH Electrocasnice srl  
Sos. Bucuresti-Ploiesti,  
nr.17-21,sect.1  
13682 Bucuresti  
Tel.: 021 203 9748  
Fax: 021 203 9731  
mailto:service.romania@  
bshg.com

**RU Russia, Россия**  
ООО "БСХ Бытовая техника"  
Сервис от производителя  
Малая Калужская 19  
119071 Москва  
тел.: 495 737 2961  
факс: 495 737 2982  
mailto:mok-kdhl@bshg.com  
www.bsh-service.ru

**SE Sverige, Sweden**  
BSH Hushållsapparater AB  
Röntgenvägen 1  
Solna  
Tel.: 087 34 13 10  
Fax: 087 34 13 21  
41104 Göteborg  
Tel.: 031 63 69 90  
Fax: 031 15 48 20

21376 Malmö  
Tel.: 040 22 78 80  
Fax: 040 22 43 53  
www.bosch-hushall.com  
**SG Singapore, 新加坡**  
BSH Home Appliances (SEA)  
Pte. Ltd.  
38C-38D Jalan Pemimpin  
577180 Singapore  
Tel.: 6350 5000  
Fax: 6350 5050  
mailto:bshsgp.service@bshg.com

**SI Slovenija, Slovenia**  
BSH Hišni aparati, d.o.o.  
Litostrojska 48  
1000 Ljubljana  
Tel.: 01 583 08 87  
Fax: 01 583 08 89  
mailto:informacije.servis@  
bshg.com  
www.bosch-hisniaparati.si

**SK Slovensko, Slovakia**  
Technoservis Bratislava  
Trhová 38  
84108 Bratislava – Doubravka  
Tel./Fax: 02 6446 3643  
www.bosch-spotrebice.sk

**TR Türkiye, Turkey**  
BSH Ev Aletleri Sanayi ve  
Ticaret A. S.  
Çakmak Mahallesi,  
Balkan Caddesi No: 51  
34770 Ümraniye, İstanbul  
Tel.: 0 216 444 6333  
Fax: 0 216 528 9188  
mailto:careline.turkey@bshg.com  
www.boschevaletleri.com

**TW Taiwan, 台灣**  
Achelis Taiwan Co., Ltd.  
4th Fl., No.112  
Chung Hsiao E. Road, Sec. 1  
Taipei  
Tel.: 02 5556 2556  
Fax: 02 5556 1235  
www.boschappliance.com.tw

**UA Ukraine, Україна**  
Київ  
СП "Транс-Сервис"  
тел.: 044 568 51 50  
ООО "Дойчелектросервис"  
тел.: 044 467 80 46  
ООО "Три О Сервис"  
тел.: 044 565 93 99  
www.bosch-pt.com.ua

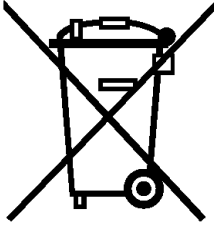
**XK Kosovo**  
NTP GAMA  
Rruga Mag Prishtine-Ferizaj  
70000 Ferizaj  
Tel.: 038 502 448  
Fax: 029 021 434  
mailto:gama\_mb@yahoo.com

**XS Srbija, Serbia**  
SZR "SPECIJALELEKTRO"  
Bulevar Milutina Milanovića 34.  
11070 Novi Beograd  
Tel.: 011 2147 110  
Tel.: 011 2139 552  
Fax: 011 2139 689  
mailto:spec.el@eunet.yu

**ZA South Africa**  
BSH Home Appliances (Pty) Ltd.  
15 th Rd., Randjespark  
Private Bag X36, Randjespark  
1685 Midrand – Johannesburg  
Tel.: 086 002 6724  
Fax: 011 265 7852  
mailto:service@bsh.co.za  
www.boschappliances.co.za

**Conditions of guarantee**

For this appliance the guarantee conditions as set out by our representatives in the country of sale apply. Details regarding same may be obtained from the dealer from whom the appliance was purchased. For claims under guarantee the sales receipt must be produced.



This appliance is labelled in accordance with European Directive 2002/96/EG concerning used electrical and electronic appliances (waste electrical and electronic equipment - WEEE). The guideline determines the framework for the return and recycling of used appliances as applicable throughout the EU.













Printed on recycled paper



9000 372 856 A



The design of this product is environment-friendly.  
All plastic parts are identified for recycling purposes