

Mat. - Nr. - Konstante  
3740 . . . . .

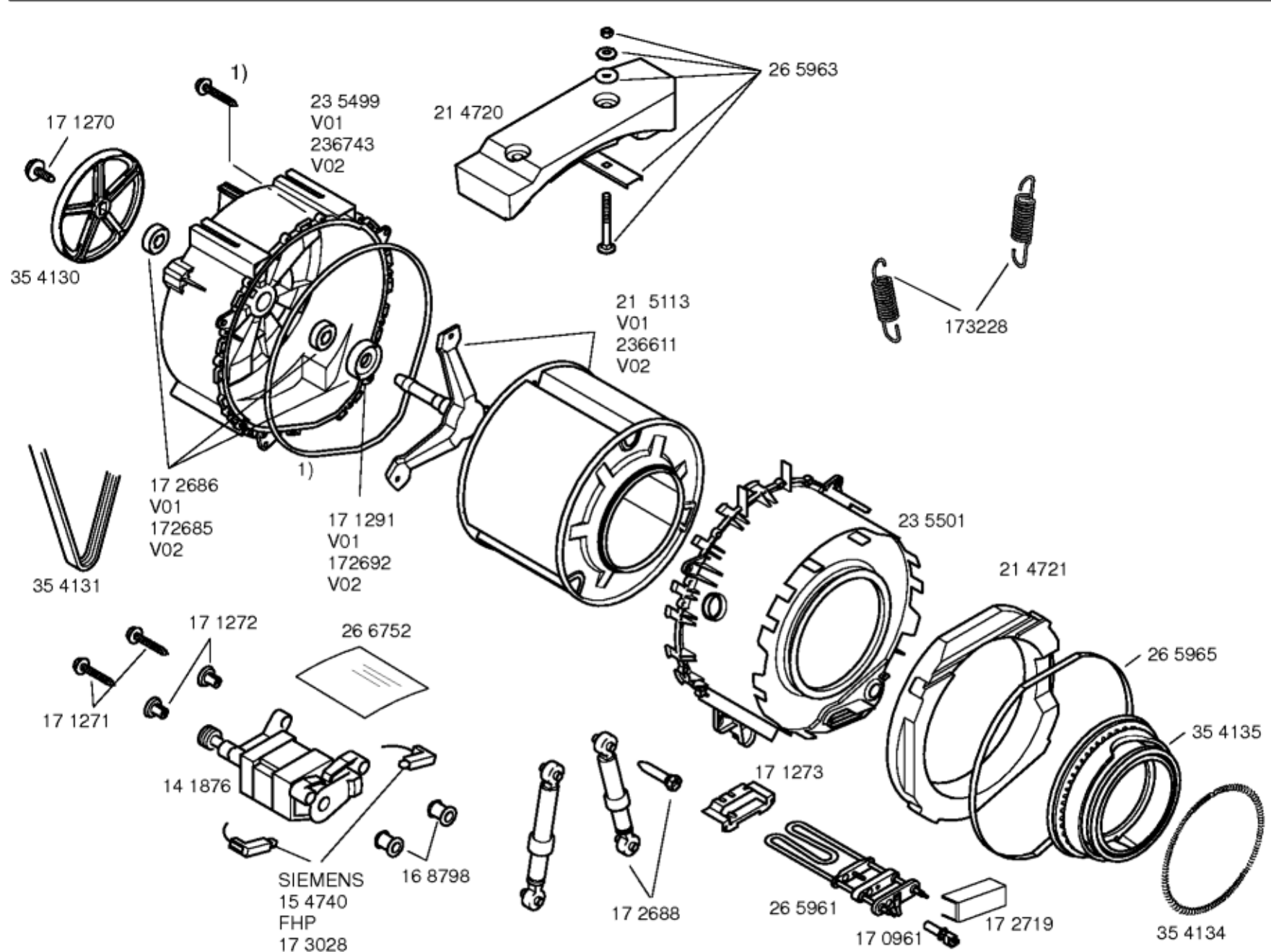
Gebrauchs-/  
Aufstellenanweisung  
52 4626  
(IT)  
52 4629  
(DE)

Programmtabelle  
52 4628  
(IT)  
52 4630  
(DE)

1) 35 6894  
(IT)

Zubehör:  
Bodenbefestigung  
WMZ2200  
Verlängerung für  
Kalt- und Warmwasser-  
anschluß 2,5m  
WMZ2380





Mat. - Nr. - Konstante  
3740 . . . . .

1) 26 5964

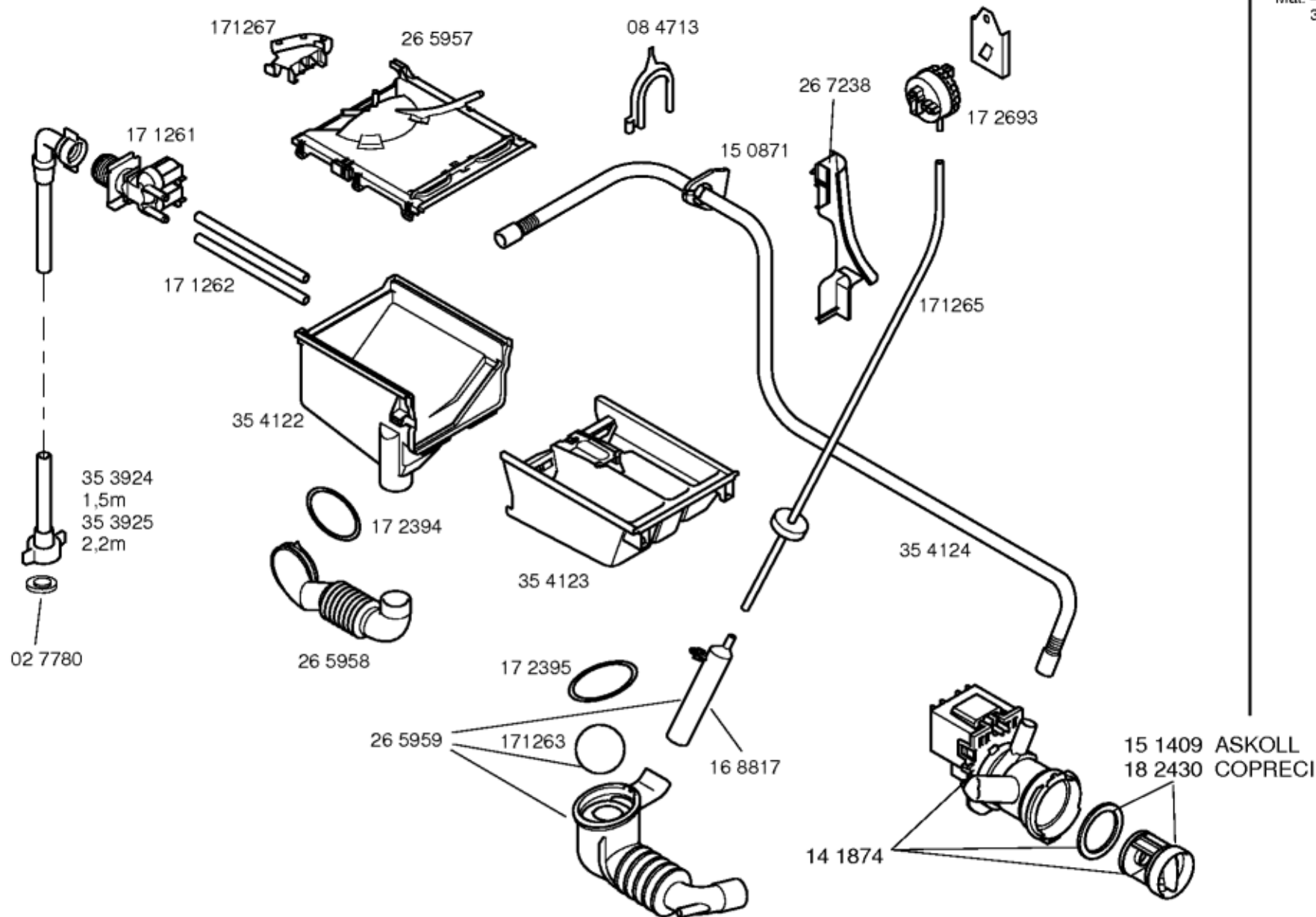


**BOSCH**

Maxx-WFL1240II/01-V01  
Maxx-WFL1240II/09-V02

WASCHGERÄTE  
Waschvollautomaten

Mat.-Nr. - Konstante  
3740 . . . . .



| <b>Position ID</b> | <b>Spare part no.</b> | <b>Replacement</b> | <b>Description</b>             |
|--------------------|-----------------------|--------------------|--------------------------------|
| 0104               | 00171253              | 00481580           | Power cord                     |
| 0106               | 00171254              | 00623842           | Capacitor-interference suppre. |
| 0108               | 00172694              |                    | Cable harness                  |
| 0108               | 00172695              | 00423701           | Cable harness                  |
| 0108               | 00172696              | 00423704           | Cable harness                  |
| 0108               | 00183210              | 00423702           | Cable harness                  |
| 0110               | 00266747              | 00432218           | Control module                 |
| 0114               | 00172697              |                    | Coupling                       |
| 0116               | 00172699              |                    | Knob-programme                 |
| 0200               | 00173226              |                    | Transit bolt                   |
| 0202               | 00173225              |                    | Transit bolt                   |
| 0204               | 00170949              | 00170933           | Cover                          |
| 0205               | 00173211              | 00170933           | Cover                          |
| 0206               | 00029853              |                    | Holder                         |
| 0208               | 00214446              | 00474870           | Case-rear part                 |
| 0210               | 00235648              | 00247508           | Housing                        |
| 0212               | 00040302              |                    | Foot                           |
| 0214               | 00215254              | 00217375           | Worktop                        |
| 0216               | 00173250              |                    | Holder                         |
| 0220               | 00354120              | 00796389           | Panel-base                     |
| 0222               | 00265956              | 00796389           | Panel-base                     |
| 0224               | 00171256              | 00182154           | Electric lock                  |
| 0226               | 00167587              | 00067083           | Holder                         |
| 0228               | 00029854              | 00606923           | Holder                         |
| 0230               | 00215253              | 00235567           | Front panel                    |
| 0232               | 00171264              |                    | Bushing                        |
| 0234               | 00171269              |                    | Hinge-window                   |

|      |          |          |                          |
|------|----------|----------|--------------------------|
| 0236 | 00354126 | 00439671 | fastening ring           |
| 0238 | 00354127 | 00715042 | Ring                     |
| 0240 | 00354128 | 11020392 | Window                   |
| 0242 | 00354129 | 00366232 | Frame-window             |
| 0244 | 00266751 |          | Handle                   |
| 0246 | 00171255 |          | Axis                     |
| 0247 | 00171278 | 00634207 | Latch                    |
| 0248 | 00080451 | 00493529 | Floor Securing Component |
| 0302 | 00173228 | 00642529 | Spring-tank              |
| 0304 | 00265963 |          | Fixing kit               |
| 0306 | 00214720 |          | Weight                   |
| 0308 | 00171270 |          | Screw                    |
| 0310 | 00354130 | 11002942 | Pulley                   |
| 0312 | 00354131 | 00678914 | Belt-drive               |
| 0314 | 00235499 | 00714215 | Tub at rear              |
| 0315 | 00172686 |          | Bearing set              |
| 0316 | 00265964 |          | Sealing                  |
| 0317 | 00171291 | 00613082 | Shaft seal               |
| 0322 | 00215113 | 00773699 | Drum                     |
| 0324 | 00235501 | 00715100 | Tub                      |
| 0326 | 00214721 | 00773470 | Weight                   |
| 0328 | 00265965 |          | Band                     |
| 0330 | 00354135 |          | Boot gasket              |
| 0332 | 00354134 |          | fastening ring           |
| 0334 | 00171273 |          | Holder                   |
| 0336 | 00265961 |          | Heating element          |
| 0338 | 00170961 |          | Sensor-NTC               |
| 0340 | 00172688 | 00448032 | Shock absorber           |
| 0342 | 00171271 |          | Screw                    |

|      |          |          |                           |
|------|----------|----------|---------------------------|
| 0344 | 00171272 |          | Fixture                   |
| 0346 | 00168798 |          | Holder                    |
| 0348 | 00141876 | 00145563 | Motor                     |
| 0350 | 00154740 |          | Carbon-brush              |
| 0350 | 00173028 |          | Carbon-brush              |
| 0351 | 00266752 |          | Cover                     |
| 0400 | 00353924 | 00700836 | Hose-inlet                |
| 0400 | 00353925 |          | Hose-inlet                |
| 0402 | 00027780 |          | Filter-water inlet        |
| 0404 | 00171267 |          | Holder                    |
| 0406 | 00171261 | 00428210 | Valve-magnet              |
| 0408 | 00171262 |          | Hose-valve/soap box       |
| 0412 | 00265957 |          | Dispenser tray-upper part |
| 0414 | 00354122 |          | Dispenser tray-lower part |
| 0416 | 00354123 |          | Dispenser tray            |
| 0418 | 00265958 |          | Hose-fill                 |
| 0420 | 00265959 | 00480443 | Eco-hose-sump             |
| 0422 | 00171263 |          | Ball-sump                 |
| 0424 | 00168817 | 00424981 | Pressure chamber          |
| 0428 | 00171265 | 00491919 | Hose-pressure chamber     |
| 0430 | 00172693 | 00600925 | Regulator-water level     |
| 0434 | 00267238 |          | Holder                    |
| 0436 | 00150871 |          | Terminal                  |
| 0438 | 00354124 |          | Outlet hose               |
| 0440 | 00141874 | 00145787 | Pump-drain                |
| 0448 | 00182430 |          | Filter-fluff              |
| 0448 | 00151409 |          | Filter-fluff              |
| 0450 | 00084713 | 00655300 | Holder                    |
| 0451 | 00172395 | 00603523 | fastening ring            |

0452

00172394

00421488

fastening ring